



PRODUCT UPDATE

AVAILABLE NOW!

ATD-5802B 5-TON PULL RAM WITH HOOKS

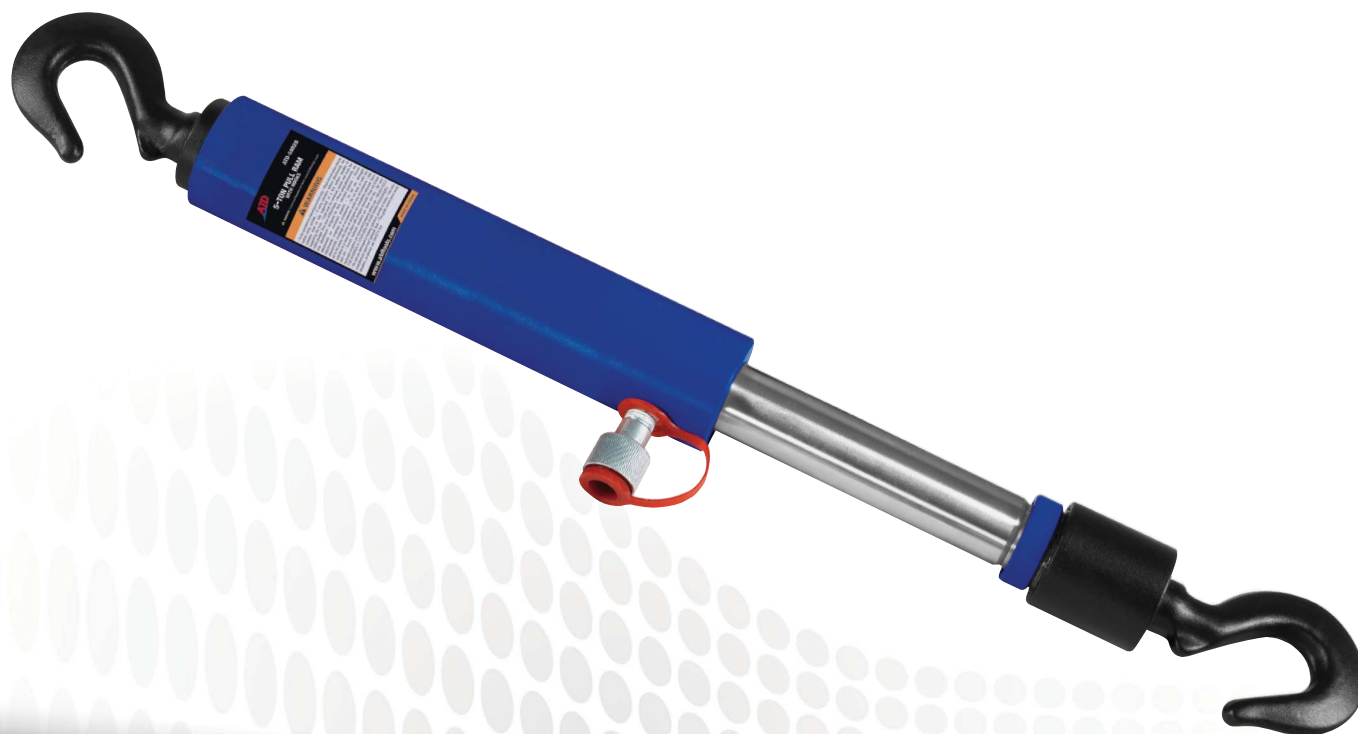
Features:

- Can be used in vertical or horizontal positions to pull, bend or straighten metal

Specifications:

- Capacity (Ton): 5
- Stroke: 5.13"
- Effective Area: 1.14 sq. in.
- Oil Capacity: 3.38 oz.
- Collapsed Length: 20.88"
- Extended Length: 26"
- Outside Diameter: 2.18"
- Operating Pressure: 8,800 psi
- Shipping Weight: 12.1 lbs.

• Replaces ATD-5802A



atdtools.com

ATD Tools, Inc. • 160 Enterprise Drive • Wentzville, MO 63385
Phone: 636.327.9050 • Fax: 636.327.9044