



PLT-12750
3/4" Drive 750 ft.-lbs.
Break Back Style Wrench
Owner's Manual



Features:

- Break back style wrenches provide a large break angle, to prevent the possibility of over torquing
- Chrome molybdenum ratchet gear and fully heat-treated handle
- Ideal for noisy and difficult working conditions
- Comes in blow molded storage case with instructions

Specifications:

- 3/4" square drive
- 200-750 ft.-lbs.
- 300-1000 Nm
- 1" Break Back
- Length: 57.68"
- Torque Accuracy: $\pm 4\%$
- Weight: 28.66 lbs.

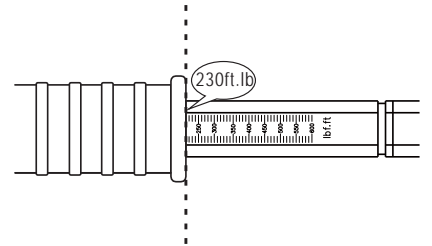
- A 22mm wrench (not included) can be used to adjust torque measurement, to add or subtract to the torque measurement desired.



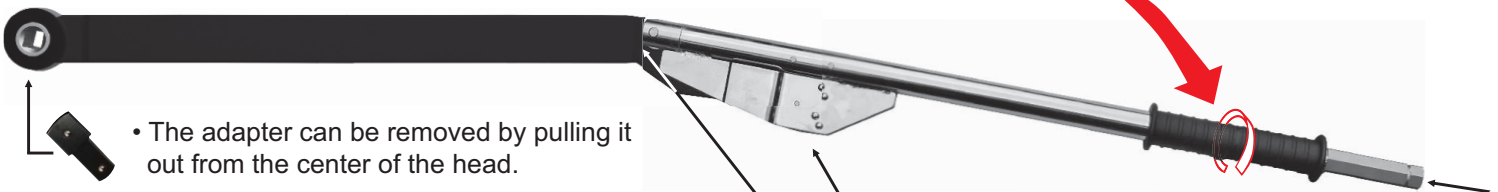
- The adjusting nut must NEVER be fully removed. Removing the nut will result in lost accuracy and recalibration will be necessary.



- The base of the handle should line up with the desired preset torque value.

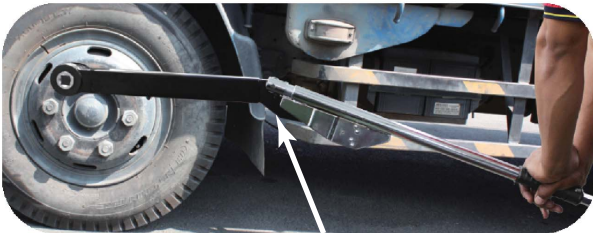


- To operate, set the wrench to the desired torque as above. Use the handle for leverage and tighten your workpiece until the preset torque value has been reached. The wrench will “break” over at this point.



- The adapter can be removed by pulling it out from the center of the head.

- The three points indicated must be lubricated frequently with a high quality multipurpose grease.



- Stop wrenching when the wrench “breaks” over as shown in the illustration above.

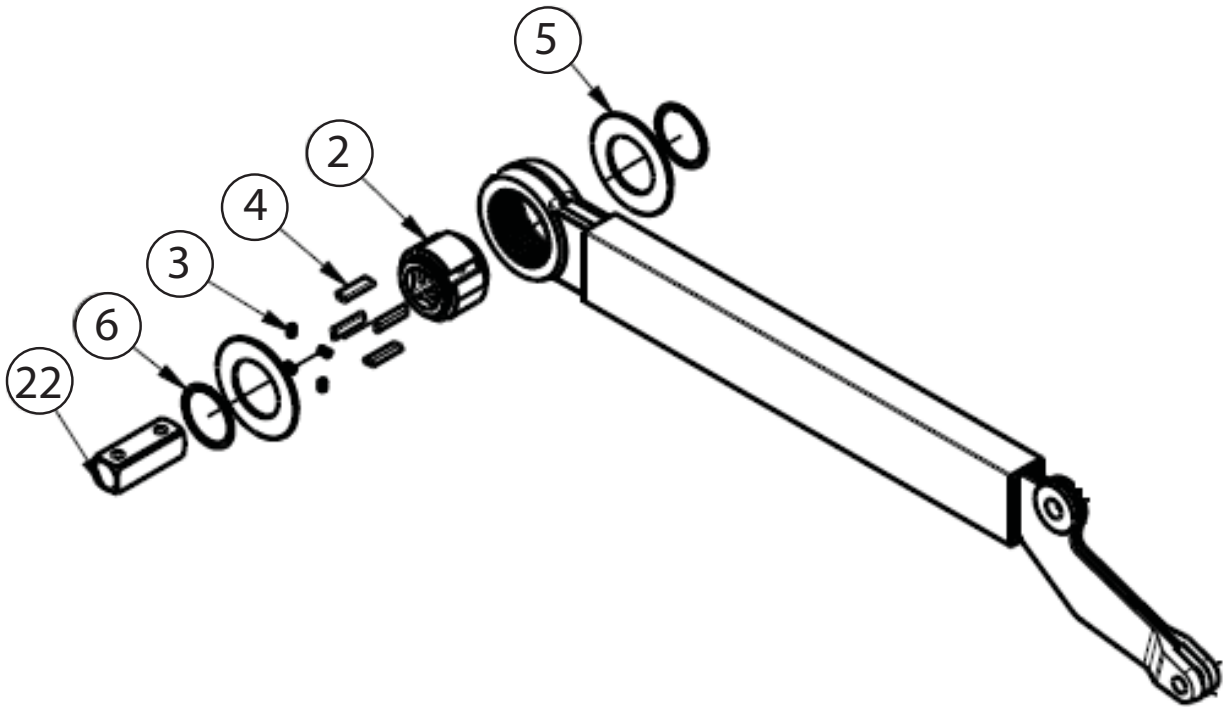
- ❌ • **NEVER** use this wrench as a hammer or pry bar and **NEVER** hammer on it or use “cheater” bars for more leverage. Doing so will void the warranty.

- ❌ • **NEVER** use any extension accessories on either end of this wrench. Doing so will void the warranty.

- Release tension on torque wrench before storing.

PLT-12750 REPLACEMENT PARTS

Not all components of the wrench are replacement items, but are illustrated as a convenient reference. Anything other than the head repair kit will have to be sent in for repair. Call your distributor for current pricing.



| ORDERING PART# | PART DESCRIPTION |
|------------------|---------------------------|
| PRT12750-RK | HEAD REPAIR KIT - 3/4" DR |
| INCLUDES: | |
| 2 | DRIVER |
| 3 | PAWL SPRING |
| 4 | PAWL |
| 5 | COVER |
| 6 | C-RING |
| 22 | 3/4" DRIVE 1" BREAK BACK |



PLATINUM TECH™ WARRANTY

1 YEAR LIMITED WARRANTY

THIS WARRANTY AND CONFIRMED RECEIPT(S) SHOULD BE RETAINED BY THE CUSTOMER AT ALL TIMES

Your PLT-12750 is warranted for a period of 12 months from the original purchase date.

For a period of one (1) year from your purchase date, ATD Tools, Inc. will repair any defect in material or workmanship free of charge. Improper use of these products, including but not limited to the application of excessive force will affect performance and may result in injury. The warranty does not apply to wrenches which do not function properly or within specified accuracy because of wear, improper or unreasonable use, damage not resulting from defect or malfunction, or which have been altered. Calibration is warranted for 90 days.

If this ATD product is altered, abused, misused, modified, or undergoes service by an unauthorized technician, your warranty will be void. We are not responsible for damage to ornamental designs you place on this ATD product and such ornamentation should not cover any warnings or instructions or they may void the warranty. This warranty does not cover scratches, superficial dents, and other abrasions to the finish that occur under normal use. It also does not cover normal wear items unless they are deemed to be factory defective.

For warranty consideration, or for paid repair or calibration send wrench prepaid to:

Angle Repair Services, Inc.
175 Angle Drive
Beckley, West Virginia 25801
304-253-5729

Include a copy of your proof of purchase for any warranty request.

Subject to the law in your state:

- (1) Your sole and exclusive remedy is repair or replacement of the defective product as described above.
- (2) ATD is not liable for any incidental damages, including but not limited to, lost profits and unforeseeable consequences.
- (3) The repair and replacement of this product under the express limited warranty described above is your exclusive remedy and is provided in lieu of all other warranties, express or implied. All other warranties, including implied warranties and warranties of merchantability or fitness for a particular purpose are disclaimed and, if disclaimer is prohibited, these warranties are limited to one year from your date of purchase of this product.

Some states' laws do not allow limited durations on certain implied warranties and some states' laws do not allow limitations on incidental or consequential damages. You should consult the law in your state to determine how your rights may vary.

[Affix receipt or invoice here for safe keeping]