



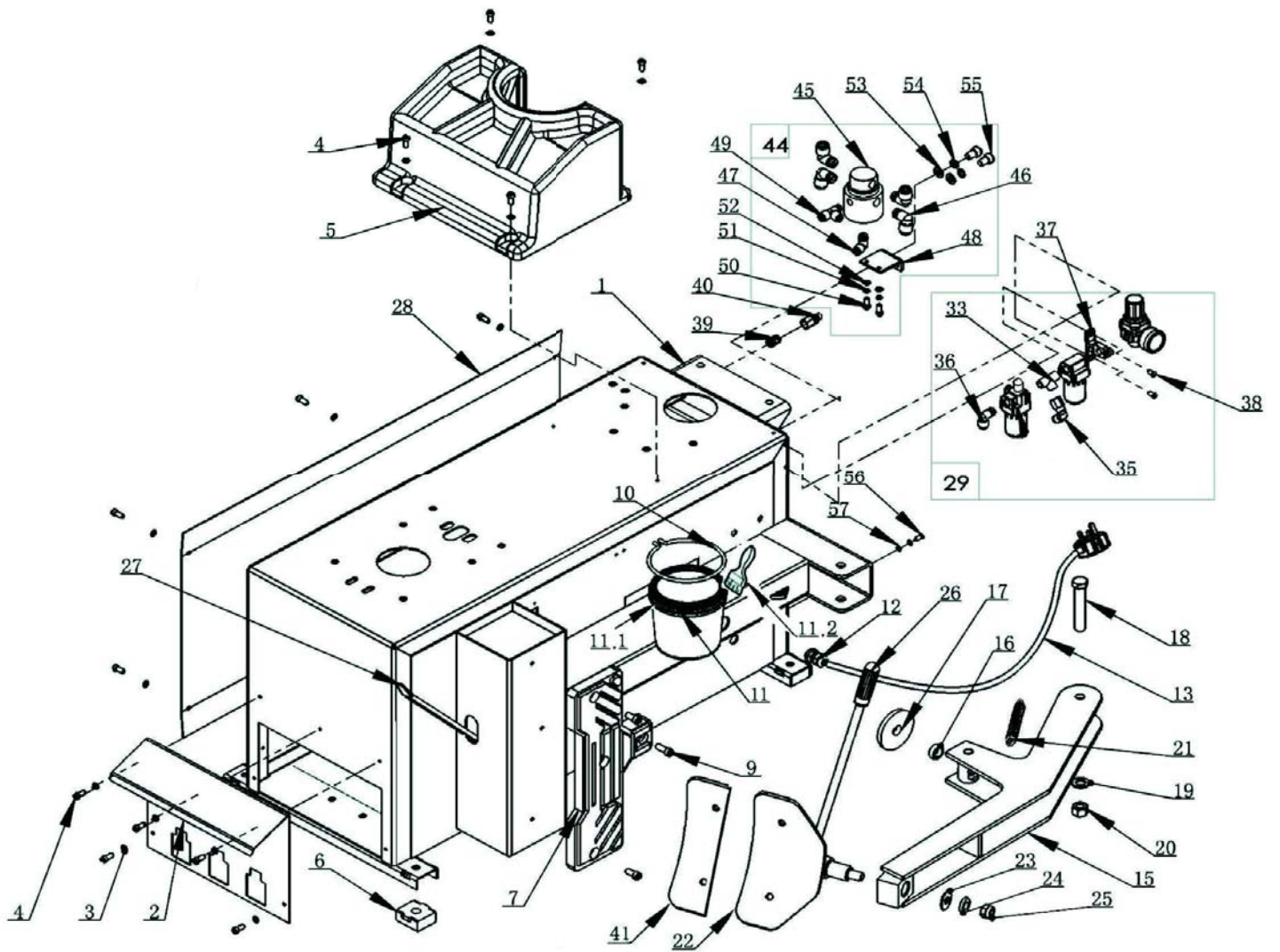
ATDTCHD Parts Manual



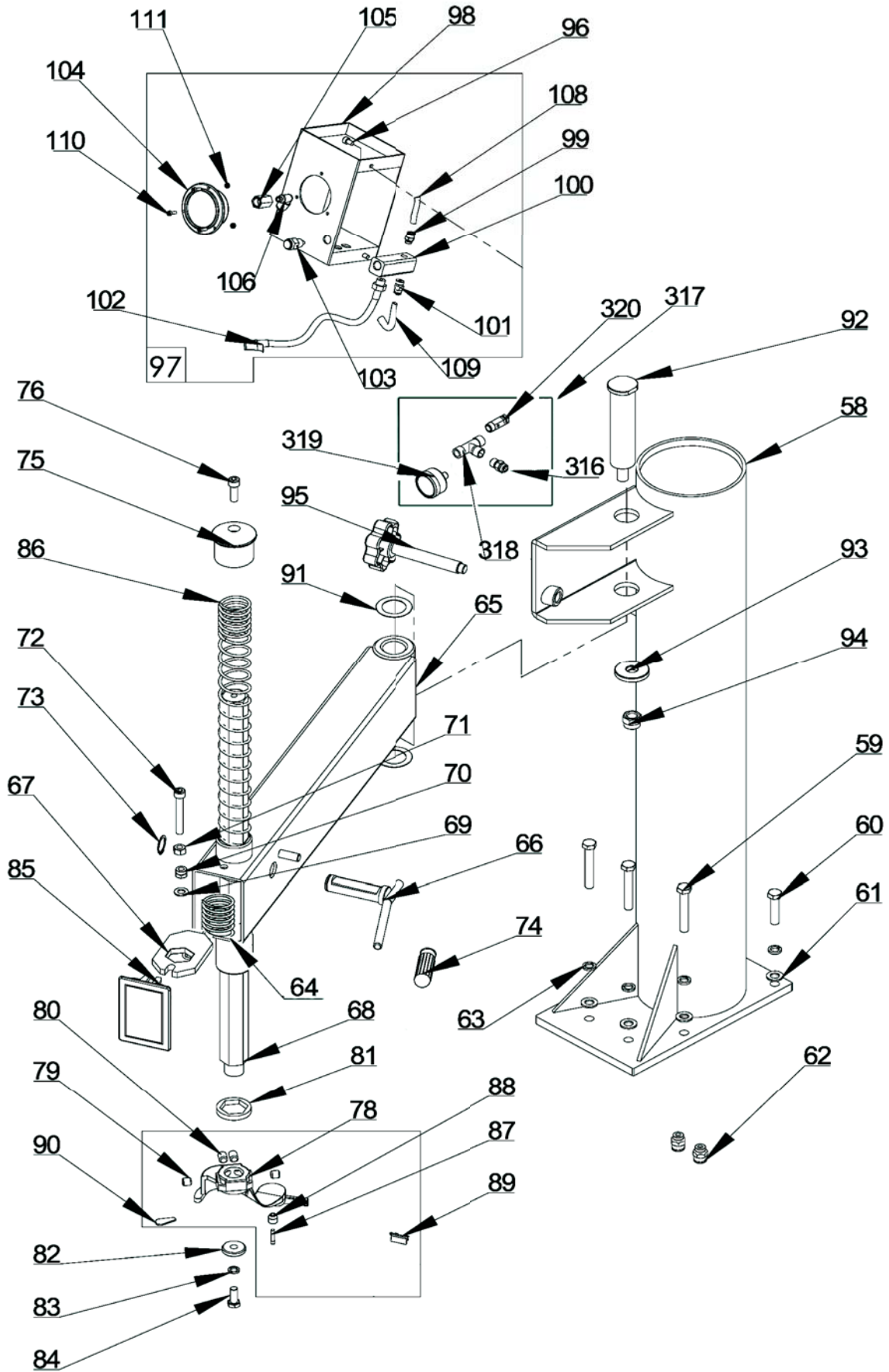
REPLACEMENT PARTS

Not all components of this product are replacement items, but are illustrated as a convenient reference for position in the assembly sequence. When ordering parts, give model number, part number and description. Call your distributor for current pricing:

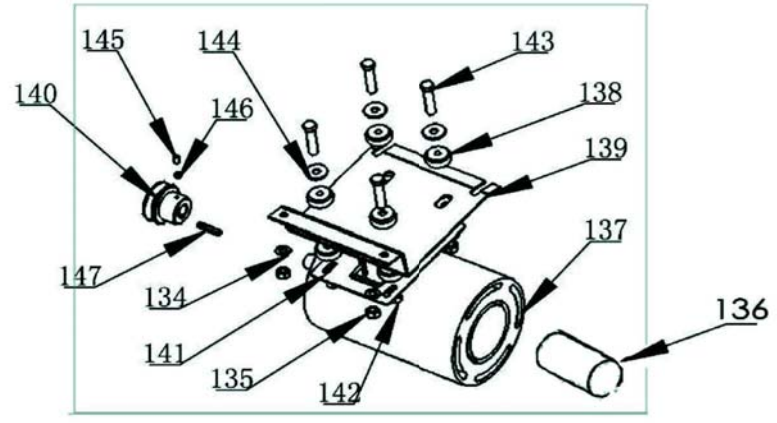
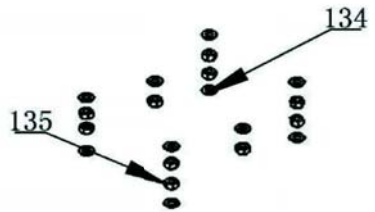
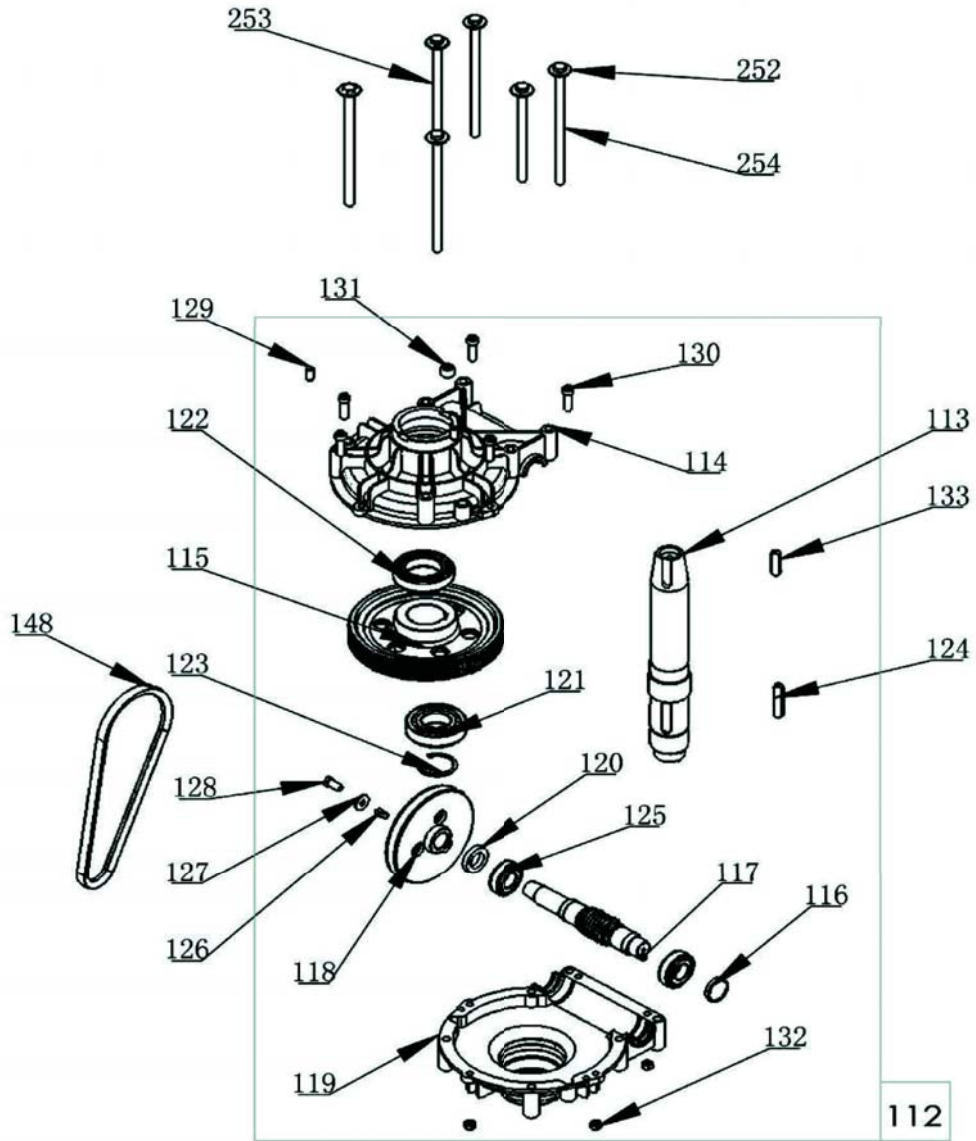
ATD-TCHD



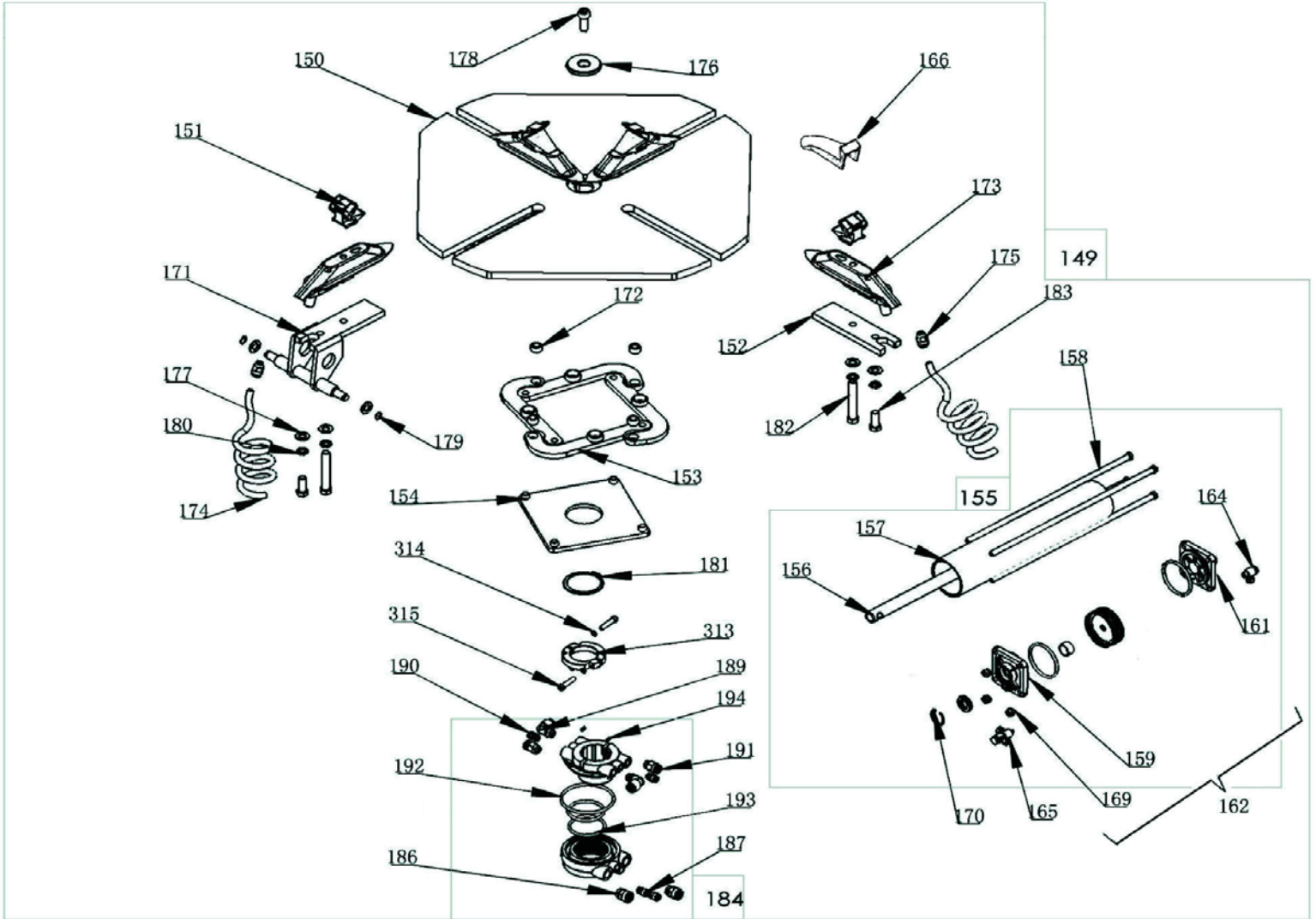
ATD-TCHD



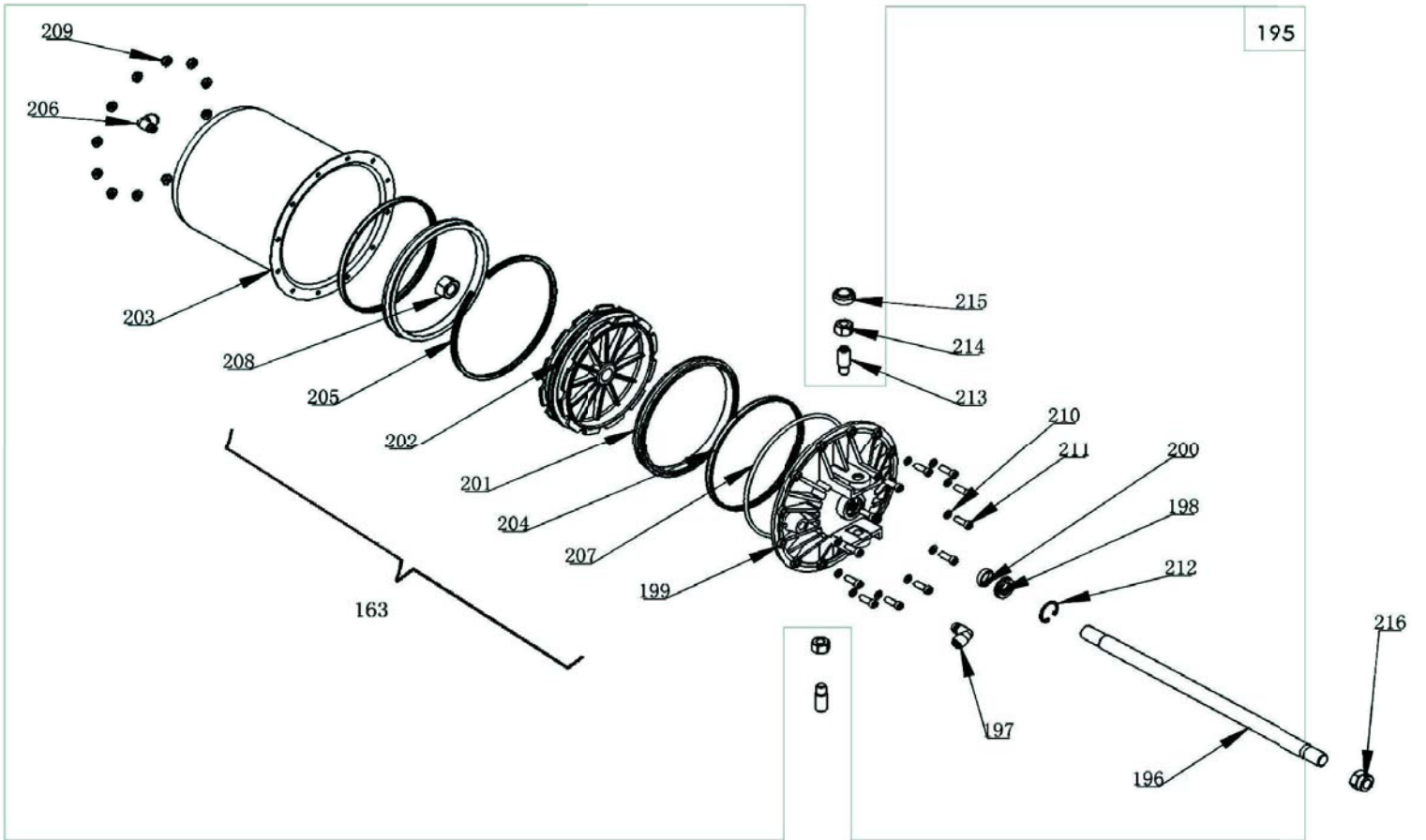
ATD-TCHD



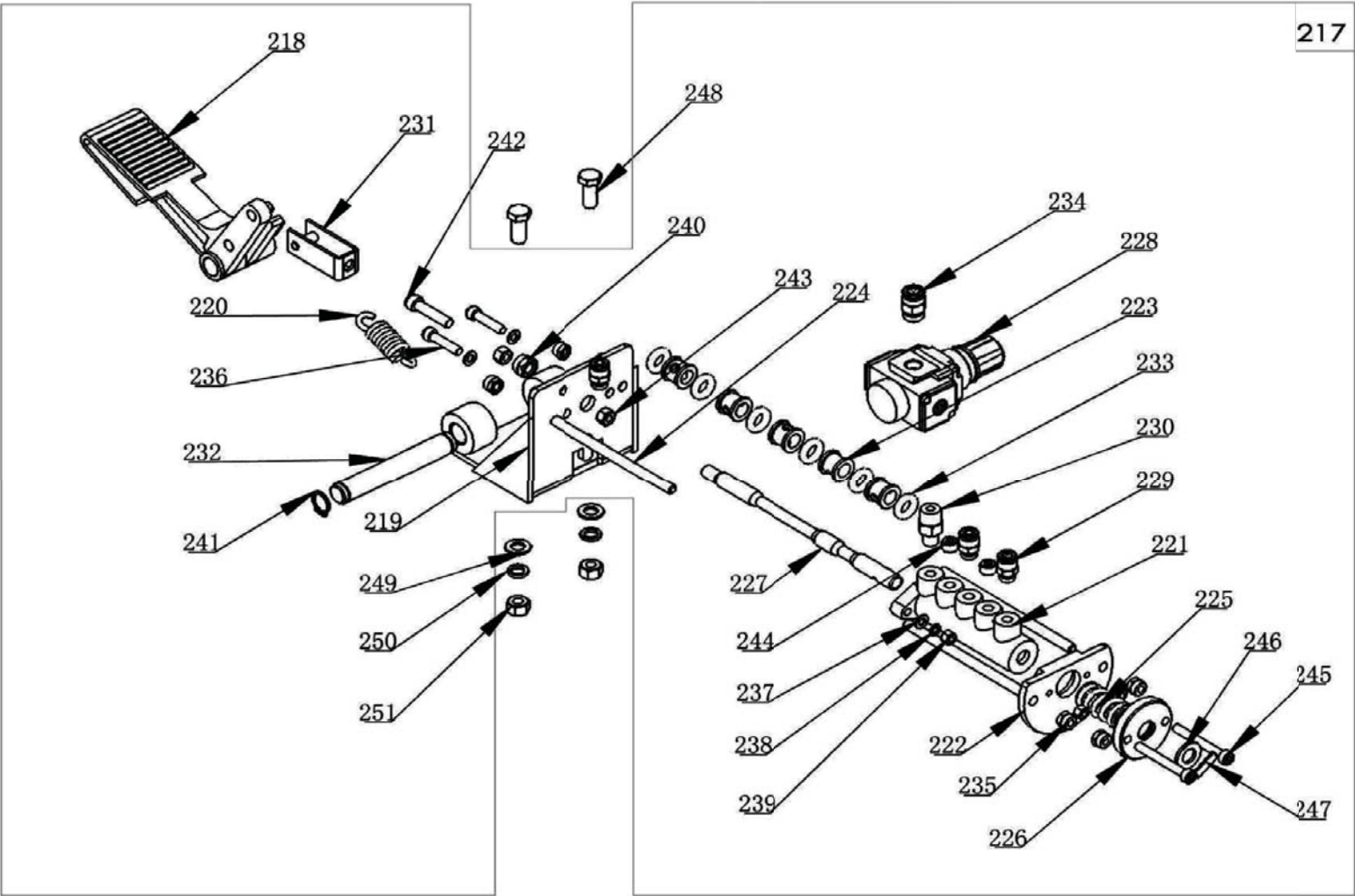
ATD-TCHD



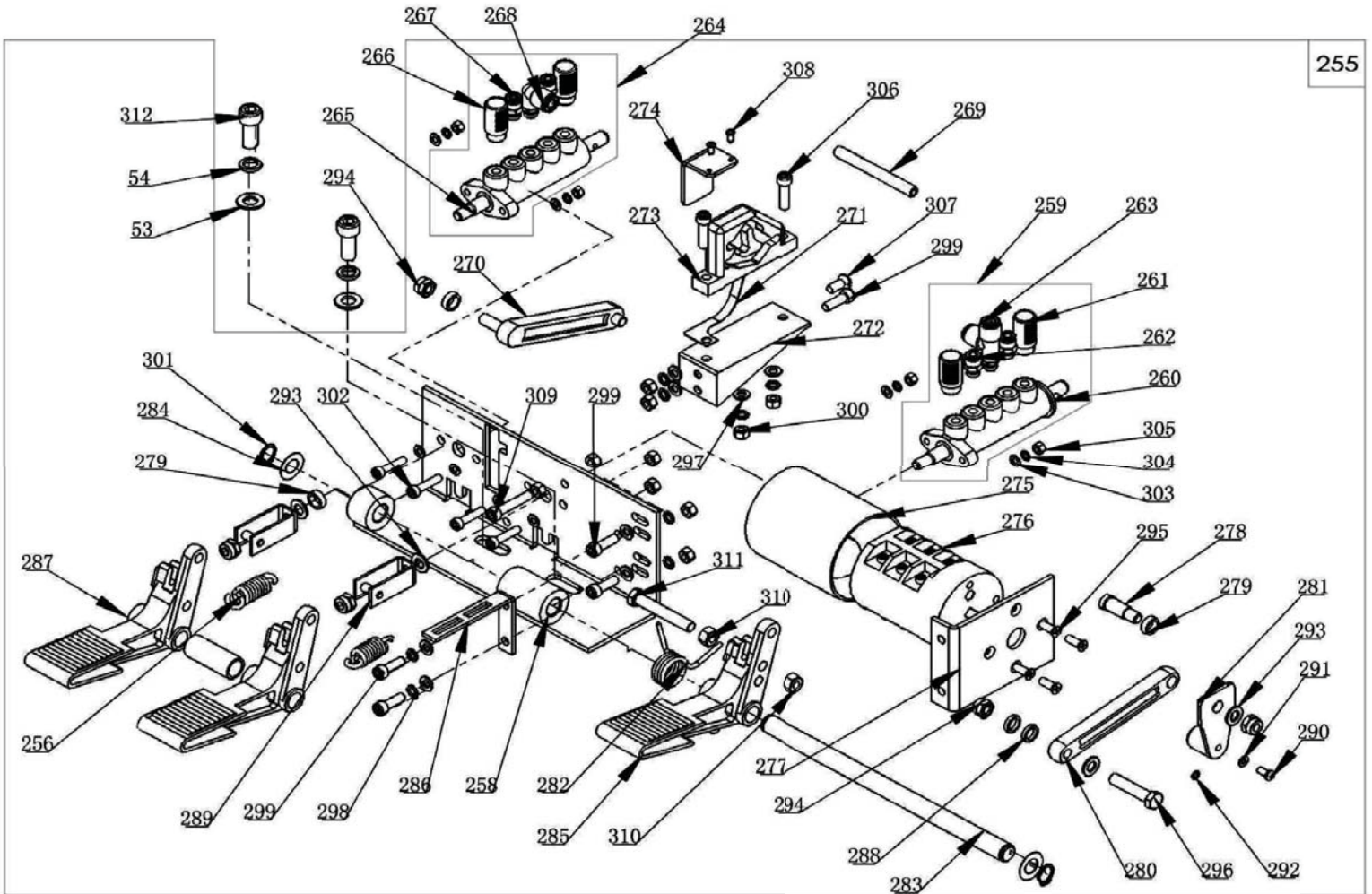
ATD-TCHD



ATD-TCHD



ATD-TCHD



ATD-TCHD

Spare Parts List

ITEM	PART CODE	DESCRIPTION	QTY
1	TC-950-101	BODY	1
2	TC-950-133	PEDAL COVER	1
3	TC-530-9142	FLAT WASHER, # 6	14
4	TC-530-9160	BOLT, M6 X 16	14
5	TC-950-122	TOOL TRAY	1
6	TC-530-9139	RUBBER BLOCK	4
7	TC-660-9325	BEAD BREAKER SUPPORT PAD	1
9	TC-530-9317	BOLT, M8 X 20	1
10	TC-530-9144	LUBE BUCKET BRACKET	1
11	TC-530-9145	LUBE BUCKET	1
11.1	TC-530-9147	LUBE BUCKET LID	1
11.2	TC-530-9146	BRUSH	1
12	TC-530-9920	ELECTRICAL BULKHEAD FITTING	1
13	TC-530-9158	POWER CABLE	1
15	TC-950-503	BEAD BREAKER ARM	1
16	TC-530-9234	BUSHING	1
17	TC-530-9226	RUBBER STOP	1
18	TC-530-9231	BOLT, M16 X 100	1
19	TC-530-9230	FLAT WASHER, # 16	1
20	TC-530-9229	LOCKNUT, M16	1
21	TC-950-510	SPRING	1
22	TC-530-9223	BEAD BREAKER BLADE	1
23	TC-530-9250	FLAT WASHER, # 14	1
24	TC-530-9227	THRUST WASHER	1

ITEM	PART CODE	DESCRIPTION	QTY
25	TC-530-9228	LOCKNUT, M14	1
26	TC-530-9224	HANDLE COVER	1
27	TC-530-9140	TIRE BAR	1
28	TC-950-131	SIDE PANEL	1
29	TC-530-9153	AIR REGULATOR ASSEMBLY	1
33	TC-530-9157	T-FITTING	1
35	TC-530-9243	ELBOW FITTING, 8mm X 1/4 (FEMALE)	1
36	TC-530-9151	ELBOW FITTING, 8mm X 1/4	1
37	TC-530-9908	AIR REGULATOR BRACKET	1
38	TC-530-9155	SCREW, M5 X 12	2
39	TC-530-9048	STRAIGHT FITTING, 8mm X 1/4	1
40	TC-530-9152	ELBOW FITTING, 8mm X 1/4 (FEMALE)	1
41	TC-950-9916	COVER, BEAD BREAKER BLADE	1
44	TC-530-9346	DISTRIBUTOR VALVE	1
45	TC-530-9122	VALVE BODY	1
46	TC-530-9113	ELBOW FITTING, 12mm X 3/8	4
47	TC-530-9151	ELBOW FITTING, 8mm X 1/4	1
48	TC-530-9116	MOUNTING BRACKET	1
49	TC-530-9121	T-FITTING, 8mm X 1/4	1
50	TC-530-9125	BOLT, M5 X 16	2
51	TC-530-9120	LOCK WASHER, # 5	2
52	TC-530-9273	FLAT WASHER, # 5	2
53	TC-530-9271	FLAT WASHER, # 6	4
54	TC-530-9119	LOCK WASHER, # 6	4

ITEM	PART CODE	DESCRIPTION	QTY
55	TC-530-9101	BOLT, M6 X 16	2
56	TC-530-9149	SCREW, M5 X 16	1
57	TC-530-9148	FLAT WASHER, # 5	2
58	TC-950-225	TOWER	1
59	TC-950-232	BOLT, M12 X 75	4
60	TC-950-228	BOLT, M12 X 45	2
61	TC-530-9081	FLAT WASHER, # 12	6
62	TC-530-9109	STRAIGHT FITTING, 12mm X 3/8	2
63	TC-530-9080	LOCK WASHER, # 12	6
64	TC-950-212	SPRING, (SHORT)	7
65	TC-950-221	SWING ARM	1
66	TC-950-210	LOCKING HANDLE	1
67	TC-950-213	LOCKING PLATE	1
68	TC-950-208	DISMOUNT SHAFT	1
69	TC-950-215	FLAT WASHER, # 10	2
70	TC-950-214	LOCKNUT, M10	2
71	TC-950-216	NUT, M10	1
72	TC-950-217	BOLT, M10 X 70	1
73	TC-950-211	SNAP RING	1
74	TC-950-209	HANDLE COVER	1
75	TC-530-9070	CAP	1
76	TC-530-9071	BOLT, M10 X 30	1
78	TC-530-9052	DUCKHEAD	1
79	TC-530-9057	SET SCREW, M10 X 12	2
80	TC-530-9246	SET SCREW, M10 X 16	2

ATD-TCHD

Spare Parts List

ITEM	PART CODE	DESCRIPTION	QTY
81	TC-530-9058	RUBBER WASHER	1
82	TC-530-9056	FLAT WASHER, # 10	1
83	TC-530-9108	LOCK WASHER, # 10	1
84	TC-530-9055	BOLT, M10 X 25	1
85	TC-950-251	SWING ARM COVER	1
86	TC-950-218	SPRING, (LONG)	1
87	TC-530-9054	ROLLER SCREW	1
88	TC-530-9053	ROLLER	1
89	TC-530-9919	DUCKHEAD INSERT (FRONT)	1
90	TC-530-9922	DUCKHEAD INSERT (REAR)	1
91	TC-950-223	FLAT WASHER, # 25	2
92	TC-950-224	SWING ARM PIN	1
93	TC-950-226	FLAT WASHER, # 16	1
94	TC-950-227	LOCKNUT, M16	1
95	TC-530-9072	ADJUSTMENT HANDLE	1
96	TC-530-9098	BOLT, M6 X 10	2
97	TC-530-9916	PRESSURE GAUGE ASSEMBLY	1
98	TC-530-9097	GAUGE COVER	1
99	TC-530-9100	STRAIGHT FITTING, 8mm X 1/8	1
100	TC-530-9089	BLEEDER VALVE	1
101	TC-530-9083	STRAIGHT FITTING, 8mm X 1/4	1
102	TC-530-9084	INFLATION HOSE	1
103	TC-530-9087	RELIEF VALVE	1
104	TC-530-9091	PRESSURE GAUGE	1
105	TC-530-9095	COUPLER	1
106	TC-530-9096	ELBOW FITTING, 8mm X 1/8	1
108	TC-530-9333F	HOSE, 8mm	1

ITEM	PART CODE	DESCRIPTION	QTY
109	TC-530-9333F	HOSE, 8mm	1
110	TC-530-9090	SCREW, M4 X 12	3
111	TC-530-9094	NUT, M4	3
112	TC-530-9917	TRANSMISSION ASSEMBLY	1
113	TC-530-9301	TRANSMISSION SHAFT	1
114	TC-530-9305	UPPER HOUSING	1
115	TC-530-9304	DRIVE GEAR	1
116	TC-530-9310	DUST COVER	1
117	TC-530-9312	WORM GEAR	1
118	TC-530-9316	DRIVE PULLEY	1
119	TC-530-9296	LOWER HOUSING	1
120	TC-530-9310.1	DUST COVER	1
121	TC-530-9300	BEARING, 6208	1
122	TC-530-9303	BEARING, 6010	1
123	TC-530-9323	SNAP RING, # 50	1
124	TC-530-9302	SHEAR KEY	1
125	TC-530-9311	BEARING	2
126	TC-530-9313	SHEAR KEY	1
127	TC-530-9318	FLAT WASHER, # 8	1
128	TC-530-9317	BOLT, M8 X 20	1
129	TC-530-9329	PIN	2
130	TC-530-9306	BOLT, M8 X 35	5
131	TC-530-9335	SPACER	1
132	TC-530-9297	NUT, M8	5
133	TC-530-9302.1	SHEAR KEY	1
134	TC-530-9299	FLAT WASHER, # 10	14

ITEM	PART CODE	DESCRIPTION	QTY
135	TC-530-9298	NUT, M10	14
136	TC-530-9328	CAPACITOR	1
137	TC-530-9327-631	MOTOR	1
138	TC-530-9324	MOTOR MOUNT BUSHING	8
139	TC-530-9321	MOTOR MOUNT	1
140	TC-530-9320	COUNTER PULLEY	1
141	TC-530-9299	FLAT WASHER, # 10	4
142	TC-530-9298	NUT, M10	4
143	TC-530-9322	BOLT, M10 X 50	4
144	TC-530-9307	FLAT WASHER, # 10	4
145	TC-530-9912	SET SCREW, M5 X 16	1
146	TC-530-9911	NUT, M5	1
147	TC-530-9325	SHEAR KEY	1
148	TC-530-9319	BELT	1
149	TC-950-004A	TURNTABLE ASSEMBLY	1
150	TC-950-401	TURNTABLE	1
151	TC-530-9004	CLAMP	4
152	TC-950-409	SLIDE GUIDE	2
153	TC-950-414	CONNECTING ROD	4
154	TC-950-444	CLAMP INCLINATION PLATE	1
155	TC-950-416	TURNTABLE CYLINDER ASSEMBLY	2
156	TC-950-424	CYLINDER ROD	2
157	TC-950-420	CYLINDER BODY	2
158	TC-950-421	CYLINDER CAP BOLT	8
159	TC-950-422	CYLINDER CAP, (ROD END)	2
161	TC-950-419	CYLINDER CAP, (MOUNT END)	2

ATD-TCHD

Spare Parts List

ITEM	PART CODE	DESCRIPTION	QTY
162	TC-950-9915	TURNTABLE CYL. SEAL KIT	2
163	TC-530-9339	BEAD BREAKER SEAL KIT	1
164	TC-950-427	BANJO ELBOW FITTING	2
165	TC-950-425	BANJO T-FITTING	2
166	TC-530-9343	RIM CLAMP PROTECTOR	4
169	TC-530-9022	LOCKNUT, M8	8
170	TC-950-416.6	SNAP RING	2
171	TC-950-418	CYLINDER MOUNT	2
172	TC-530-9012	SPACER	4
173	TC-950-406	CLAMP MOUNT	4
174	TC-530-9007	COILED HOSE, 10mm	4
175	TC-530-9006	STRAIGHT FITTING, 10mm X 1/8	4
176	TC-530-9002	WASHER	1
177	TC-530-9009	FLAT WASHER, # 12	12
178	TC-530-9001	BOLT, M12 X 25	1
179	TC-530-9016	SNAP RING, # 12	4
180	TC-530-9010	LOCK WASHER, # 12	8
181	TC-530-9015	SNAP RING, # 65	1
182	TC-530-9014	BOLT, M12 X 85	4
183	TC-530-9011	BOLT, M12 X 30	4
184	TC-950-9917	SPIDER VALVE	1
186	TC-530-9037	STRAIGHT FITTING, 12mm X 3/8	2
187	TC-530-9100	STRAIGHT FITTING, 8mm X 1/8	2
189	TC-530-9032	ELBOW FITTING, 10mm X 1/4	2
190	TC-530-9100	STRAIGHT FITTING, 8mm X 1/8	2
191	TC-530-9029	STRAIGHT FITTING, 10mm X 1/4	2

ITEM	PART CODE	DESCRIPTION	QTY
192	TC-530-9035	O-RING, 90 X 2.65	1
193	TC-530-9034	O-RING, 60 X 2.65	3
194	TC-530-9349	SET SCREW	4
195	TC-530-9263	BEAD BREAKER CYL. ASSY.	1
196	TC-530-9337	CYLINDER ROD	1
197	TC-530-9260	ELBOW FITTING, 8mm X 1/4	1
198	TC-530-9251	WIPER	1
199	TC-530-9261	CYLINDER GLAND	1
200	TC-530-9236	BUSHING	1
201	TC-530-9117	U-CUP	2
202	TC-530-9252	PISTON	1
203	TC-530-9237	CYLINDER BARREL	1
204	TC-530-9341	ABRASIVE RING	2
205	TC-530-9341.1	PISTON RING	1
206	TC-530-9262	ELBOW FITTING, 8mm X 1/8	1
207	TC-530-9118	O-RING	1
208	TC-530-9247	NUT, M18	1
209	TC-530-9248	NUT, M6	12
210	TC-530-9257	FLAT WASHER, # 6	12
211	TC-530-9239	BOLT, M6 X 30	12
212	TC-530-9259	SNAP RING, # 30	1
213	TC-530-9258	SHOULDER BOLT	2
214	TC-530-9254	NUT, M14	2
215	TC-530-9326	CAP	1
216	TC-530-9233	LOCKNUT, M18	1

ITEM	PART CODE	DESCRIPTION	QTY
217	TC-530-9295	BEAD BLASTER PEDAL ASSY.	1
218	TC-530-9288	PRIMARY PEDAL	1
219	TC-530-9285	MOUNT PLATE	1
220	TC-530-9287	SPRING	1
221	TC-530-9274	2 HOLE VALVE BODY	1
222	TC-530-9268	FIXED PLATE	1
223	TC-530-9205	DISTANCE RING	15
224	TC-530-9272	MAIN ASSEMBLY BOLT	3
225	TC-530-9266	SPRING	1
226	TC-530-9265	MOVING PLATE	1
227	TC-530-9281	SPOOL	1
228	TC-530-9292	REGULATOR	1
229	TC-530-9277	STRAIGHT FITTING, 8mm X 1/8	2
230	TC-530-9291	COUPLER	1
231	TC-530-9289	CLEVIS	1
232	TC-530-9284	SHAFT	1
233	TC-530-9206	O-RING, 9 X 4	18
234	TC-530-9293	STRAIGHT FITTING, 8mm X 1/4	1
235	TC-530-9294	LOCKNUT, M6	6
236	TC-530-9276	BOLT, M5 X 25	2
237	TC-530-9273	FLAT WASHER, # 5	4
238	TC-530-9275	LOCK WASHER, # 5	2
239	TC-530-9267	NUT, M5	4
240	TC-530-9022	LOCKNUT, M8	1
241	TC-530-9283	SNAP RING, # 12	2

ATD-TCHD

Spare Parts List

ITEM	PART CODE	DESCRIPTION	QTY
242	TC-530-9286	BOLT, M6 X 30	1
243	TC-530-9269	NUT, M6	2
244	TC-530-9278	PLUG	2
245	TC-530-9264	BOLT, M5 X 30	2
246	TC-530-9056	FLAT WASHER, # 10	1
247	TC-530-9282	ROLL PIN	2
248	TC-530-9317	BOLT, M8 X 20	5
249	TC-530-9249	FLAT WASHER, # 8	8
250	TC-530-9270	LOCK WASHER, # 8	7
251	TC-530-9297	NUT, M8	5
252	TC-530-9299	FLAT WASHER, # 10	6
253	TC-530-9309	BOLT, M10 X 160	2
254	TC-530-9308	BOLT, M10 X 200	4
255	TC-950-9912	PEDAL ASSEMBLY	1
256	TC-950-319	SPRING	3
258	TC-950-316	PEDAL BRACKET	1
259	TC-950-334	2 H.A.V. (BEAD BREAKER)	1
260	TC-530-9274	2 HOLE VALVE BODY	1
261	TC-530-9204	SILENCER	2
262	TC-530-9245	STRAIGHT FITTING, 8mm X 1/8	2
263	TC-530-9214	T-FITTING, 8mm X 1/8	1
264	TC-950-340	2 H.A.V. (RIM CLAMPS)	1
265	TC-530-9274	2 HOLE VALVE BODY	1
266	TC-530-9204	SILENCER	2
267	TC-530-9245	STRAIGHT FITTING, 8mm X 1/8	2
268	TC-530-9203	ELBOW FITTING, 8mm X 1/8	1

ITEM	PART CODE	DESCRIPTION	QTY
269	TC-530-9333F	HOSE, 8mm	1
270	TC-530-9178	LINKAGE ROD	1
271	TC-950-338	LEAF FORK SPRING	1
272	TC-950-335	CAM PLATE	1
273	TC-530-9190	CAM	1
274	TC-530-9191	CAM BRACKET	1
275	TC-530-9201	SWITCH COVER	1
276	TC-530-9200	DIRECTIONAL SWITCH	1
277	TC-950-330	SWITCH BRACKET	1
278	TC-950-313	CONNECTION ROD PIN	1
279	TC-660-9345	SPACER	3
280	TC-950-308	CONNECTION ROD	1
281	TC-530-9193	SWITCH ARM	1
282	TC-950-304	TORSION SPRING	1
283	TC-950-341	SHAFT	1
284	TC-530-9173	FLAT WASHER, # 12	2
285	TC-660-9367	PEDAL	1
286	TC-950-312	SPRING BRACKET	1
287	TC-530-9288	PRIMARY PEDAL	2
288	TC-660-9346	SPACER	2
289	TC-950-318	CLEVIS	2
290	TC-530-9196	SCREW, M3 X 10	1
291	TC-530-9194	FLAT WASHER, # 3	1
292	TC-530-9195	LOCK WASHER, # 3	1
293	TC-530-9184	FLAT WASHER, # 10	1
294	TC-530-9185	LOCKWUT, M10	2

ITEM	PART CODE	DESCRIPTION	QTY
295	TC-950-327	SCREW, M5 X15	4
296	TC-660-9308	BOLT, M8 X 40	1
297	TC-530-9142	FLAT WASHER, # 6	8
298	TC-530-9119	LOCK WASHER, # 6	8
299	TC-660-9379	BOLT, M6 X 15	5
300	TC-530-9248	NUT, M6	10
301	TC-950-305	SNAP RING	2
302	TC-530-9276	BOLT, M5 X 25	6
303	TC-530-9142	FLAT WASHER, # 6	8
304	TC-530-9119	LOCK WASHER, # 6	4
305	TC-530-9248	NUT, M6	4
306	TC-530-9182	BOLT, M6 X 25	2
307	TC-660-9380	SCREW, M6 X 25	2
308	TC-530-9192	SELF TAPPING SCREW, S3 X 10	2
309	TC-530-9286	BOLT, M6 X 30	1
310	TC-530-9297	NUT, M8	2
311	TC-530-9110	BOLT, M8 X 55	1
312	TC-530-9055	BOLT, M10 X 25	2
313	TC-530-9348	CLAMPING RING	1
314	TC-530-9142	FLAT WASHER, # 6	2
315	TC-530-9286	BOLT, M6 X 30	2
316	TC-530-9107	CLOSE NIPPLE	1
317	TC-530-9130	SAFETY VALVE ASSEMBLY	1
318	TC-530-9106	T-FITTING	1
319	TC-530-9907	PRESSURE GAUGE (TOWER)	1
320	TC-530-9241	POP-OFF VALVE	1