



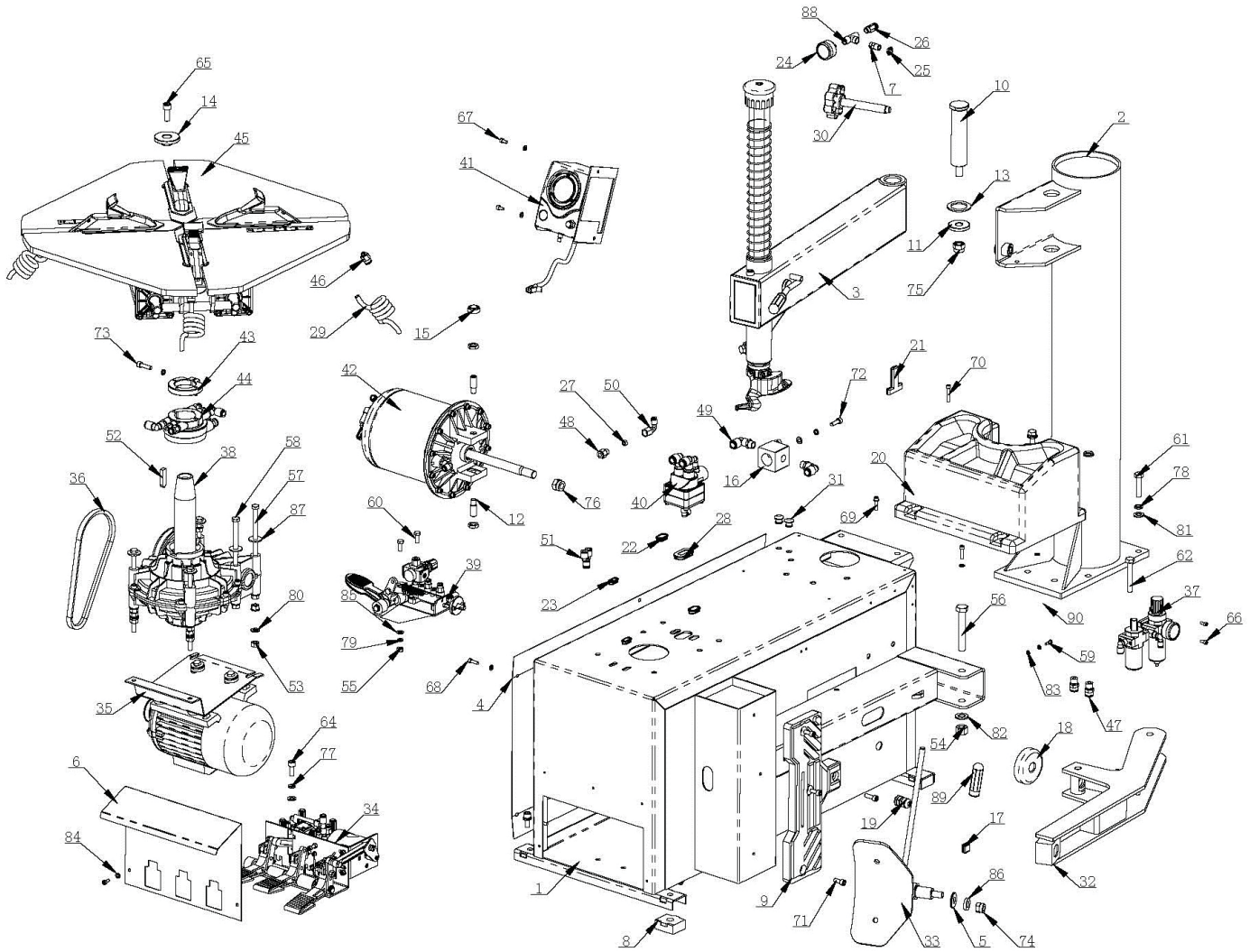
## ATD-TCHD Parts Manual

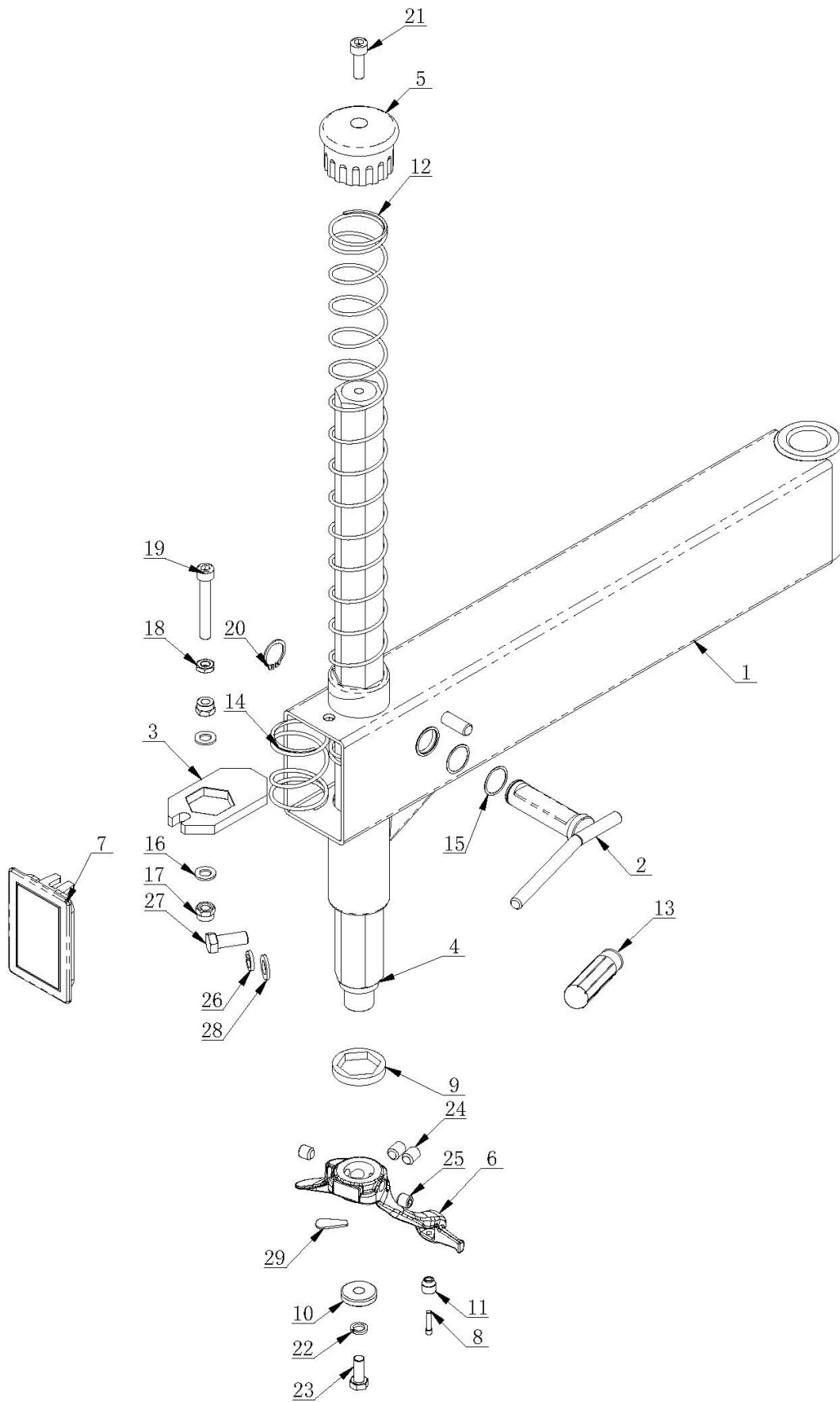


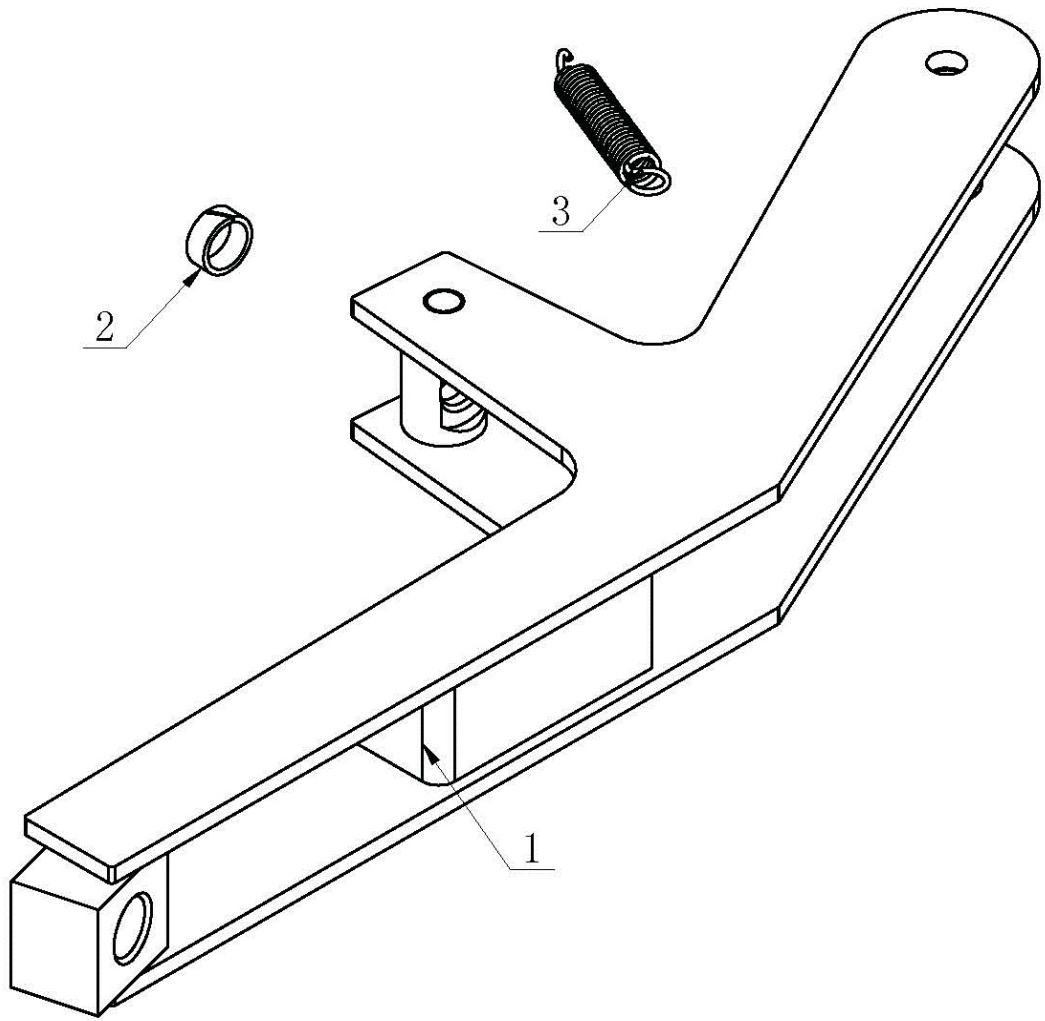
Please see the parts illustrations on pages 1-17 to determine the part in question  
The part number listings are on pages 19-25, and refer to the drawings as follows: Page 1, part 27 = 1-27. Page 2, part 17 = 2-17 etc.

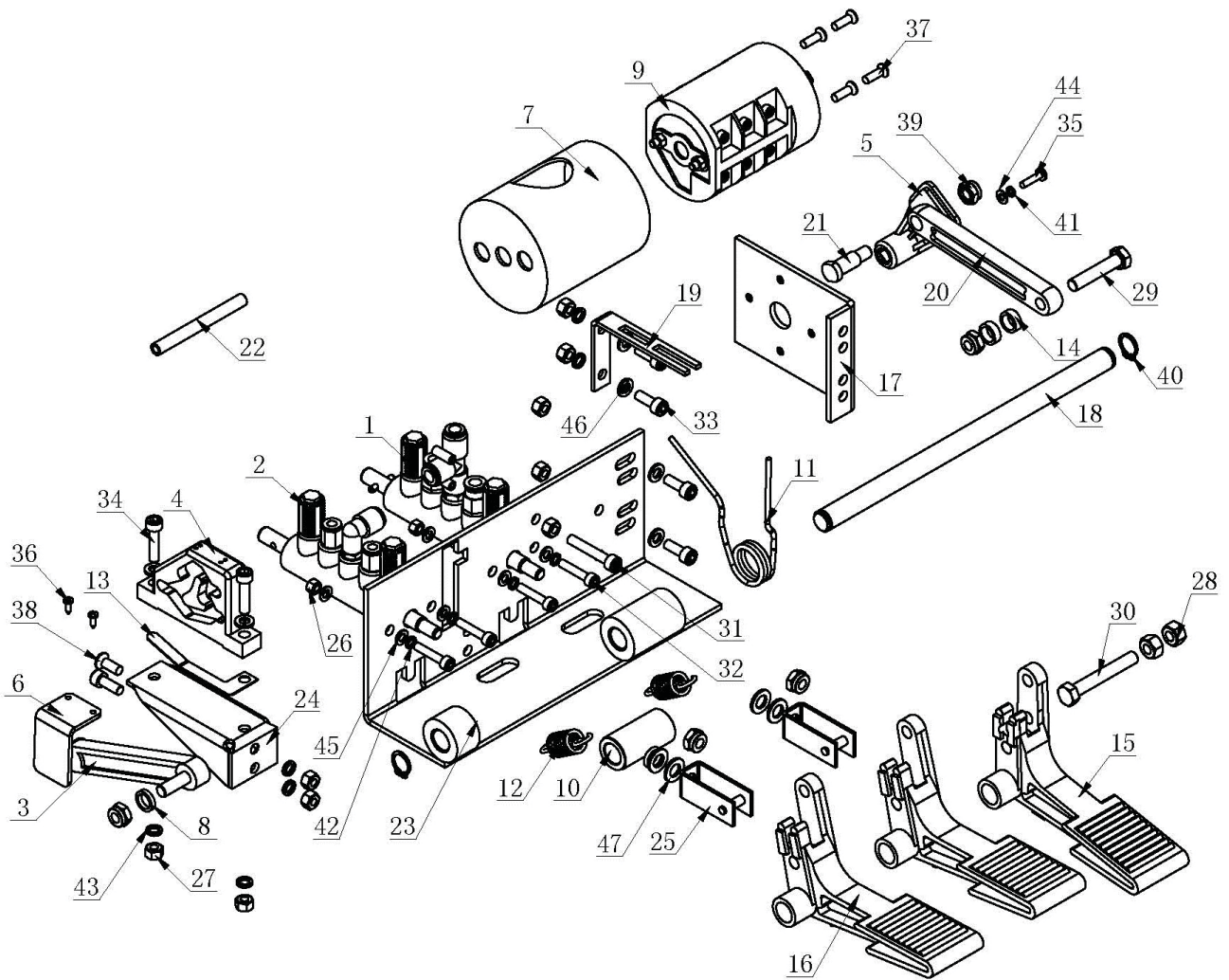
Contact your distributor for parts pricing and availability.

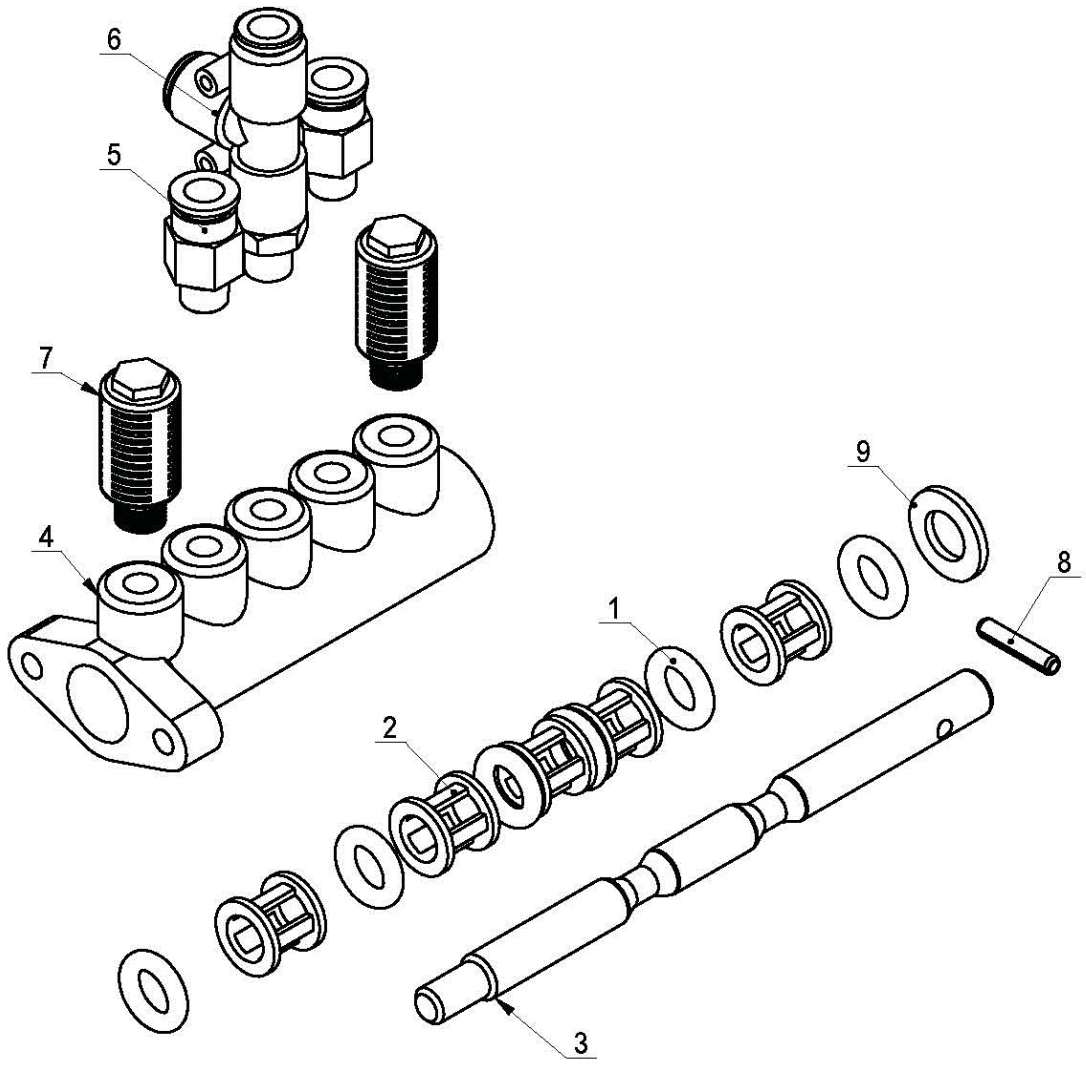
# ATD-TCHD



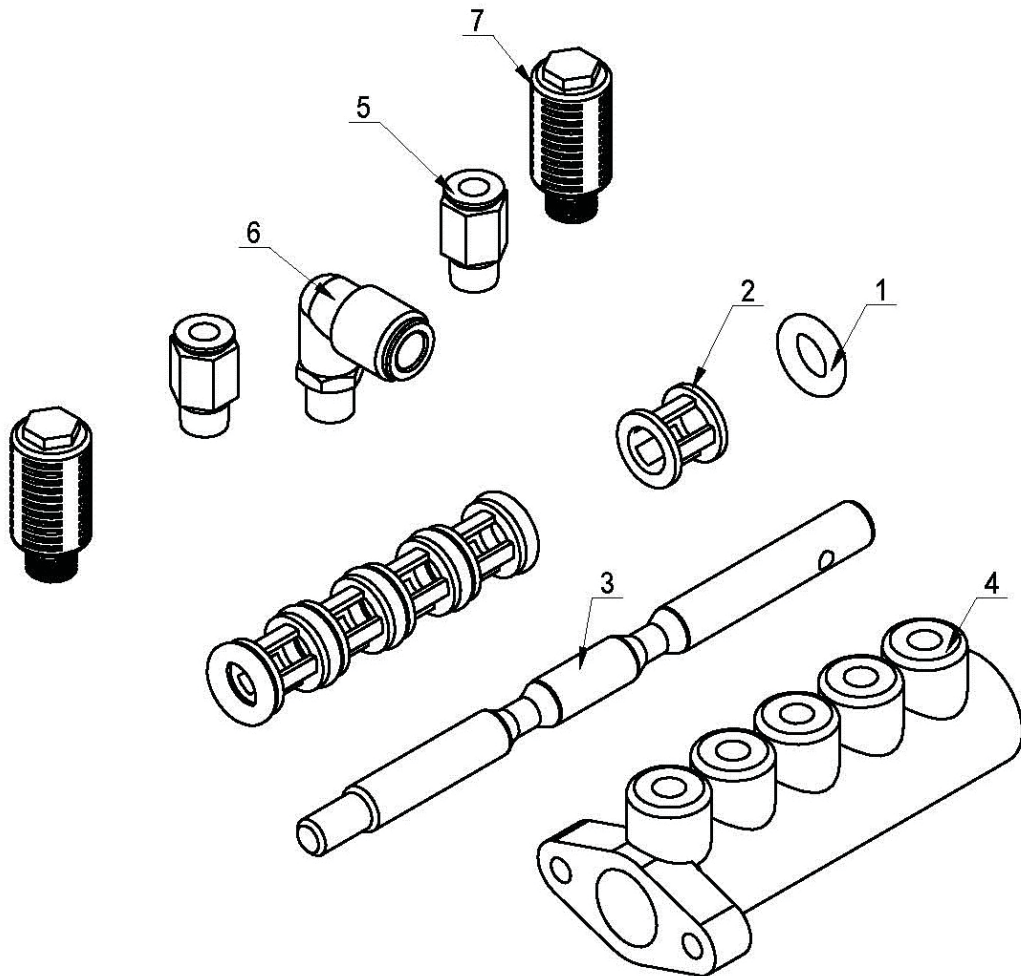


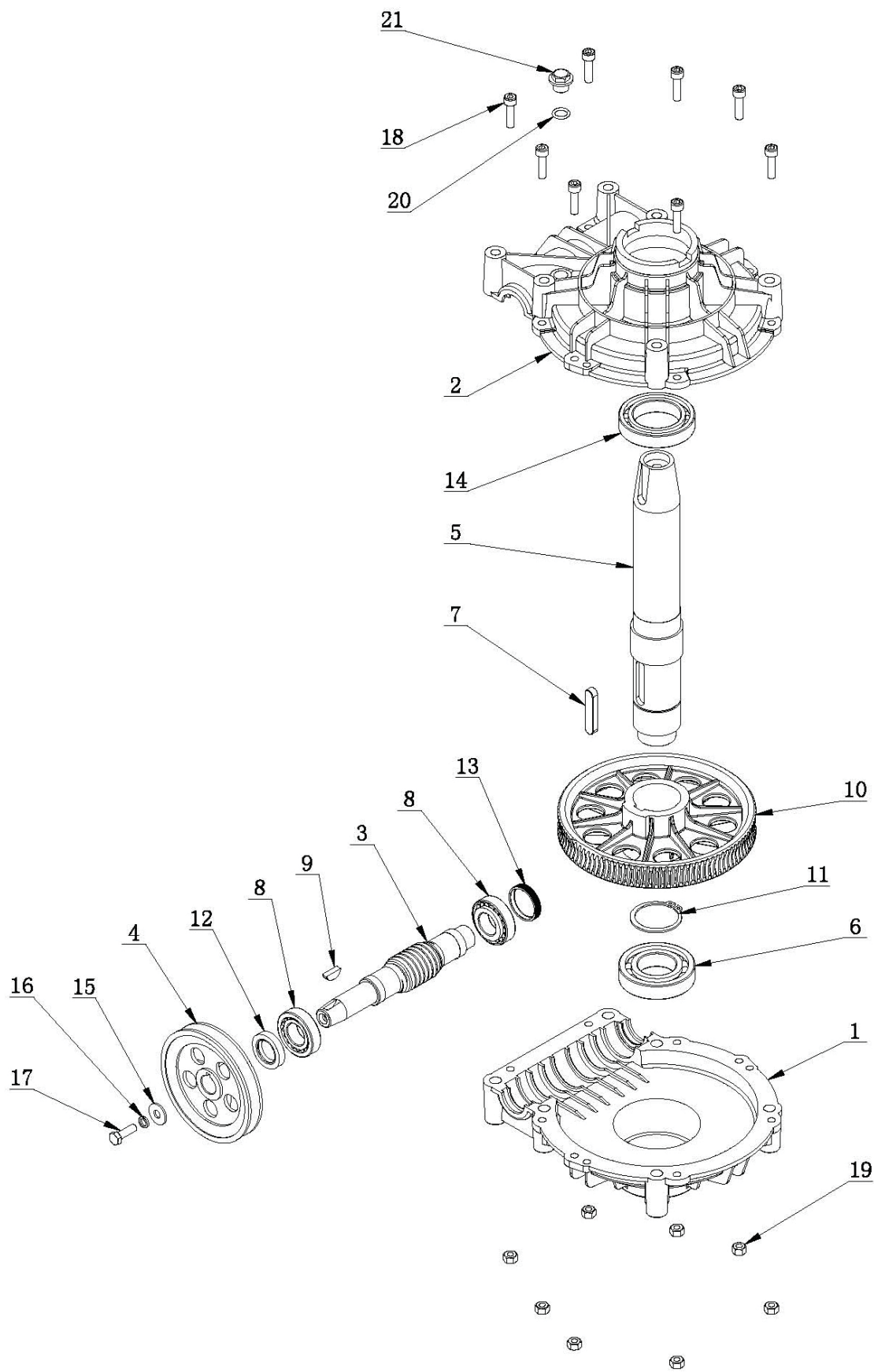




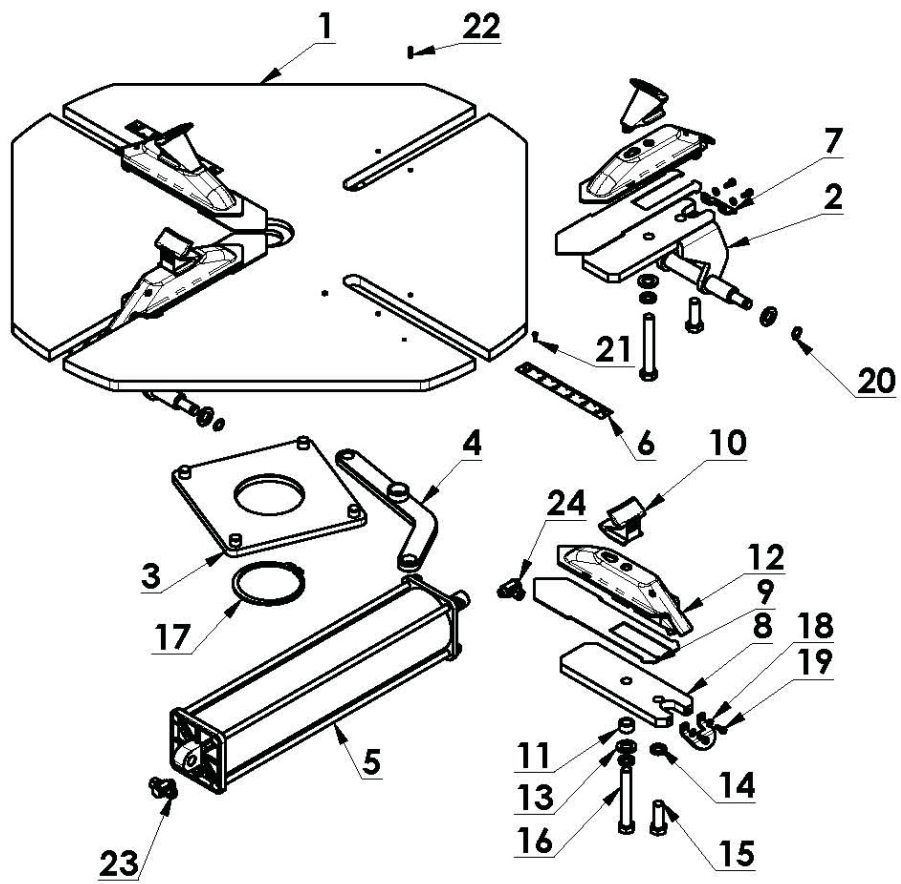


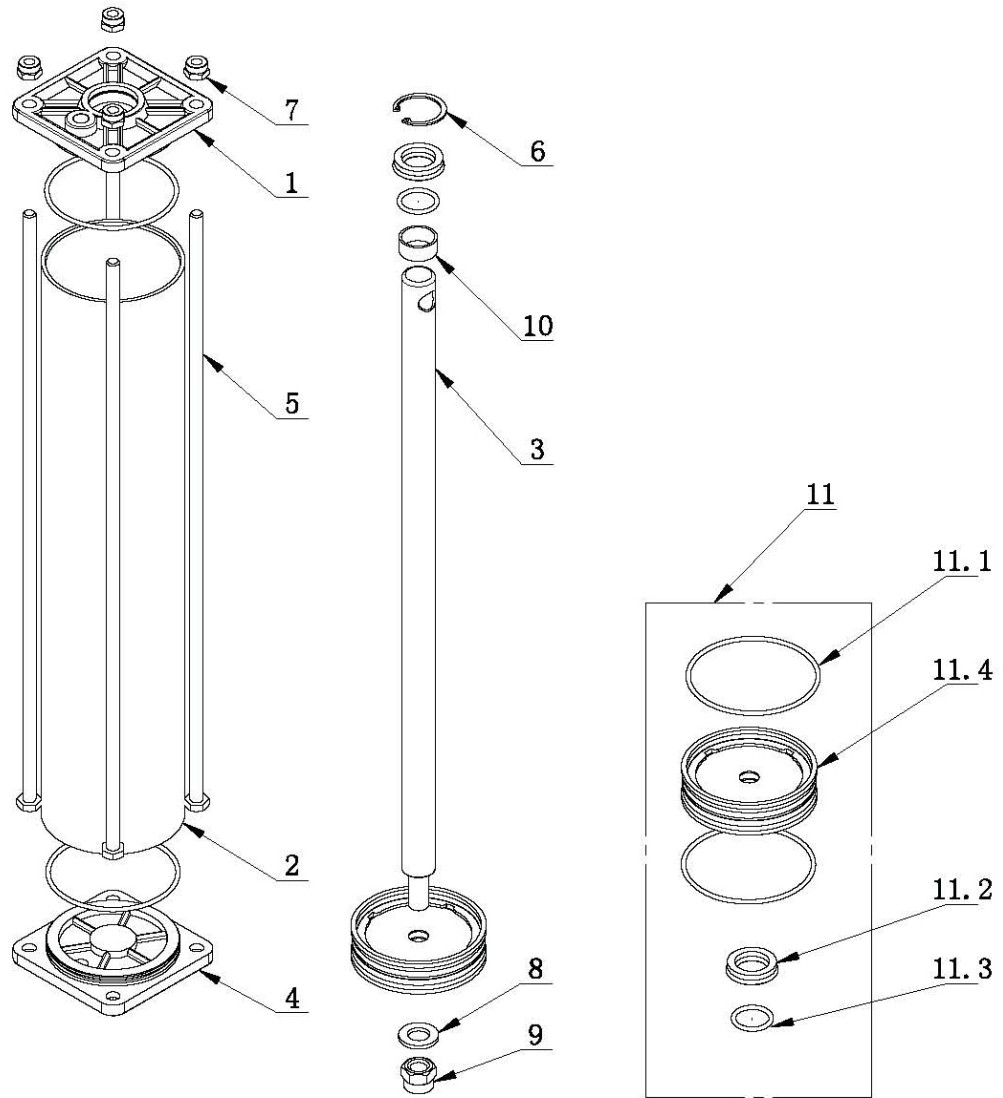


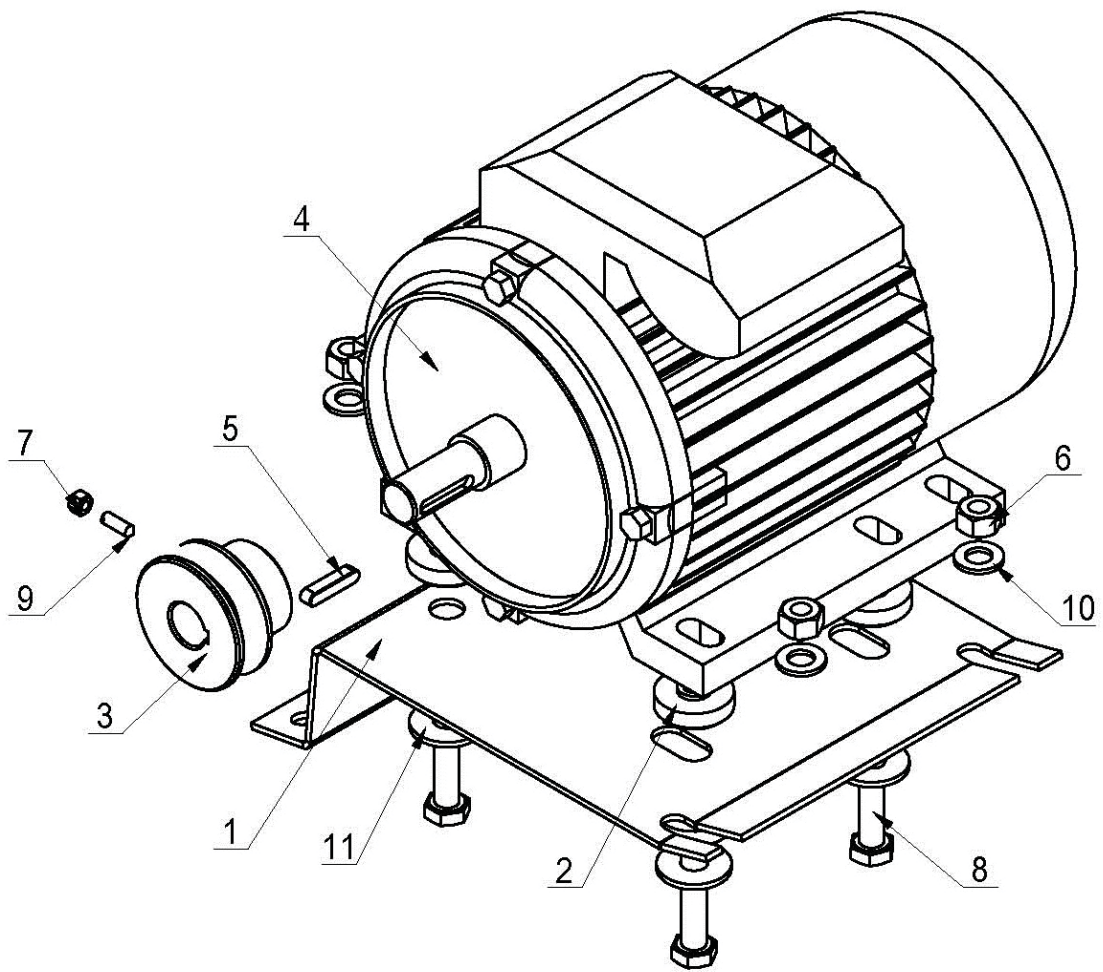


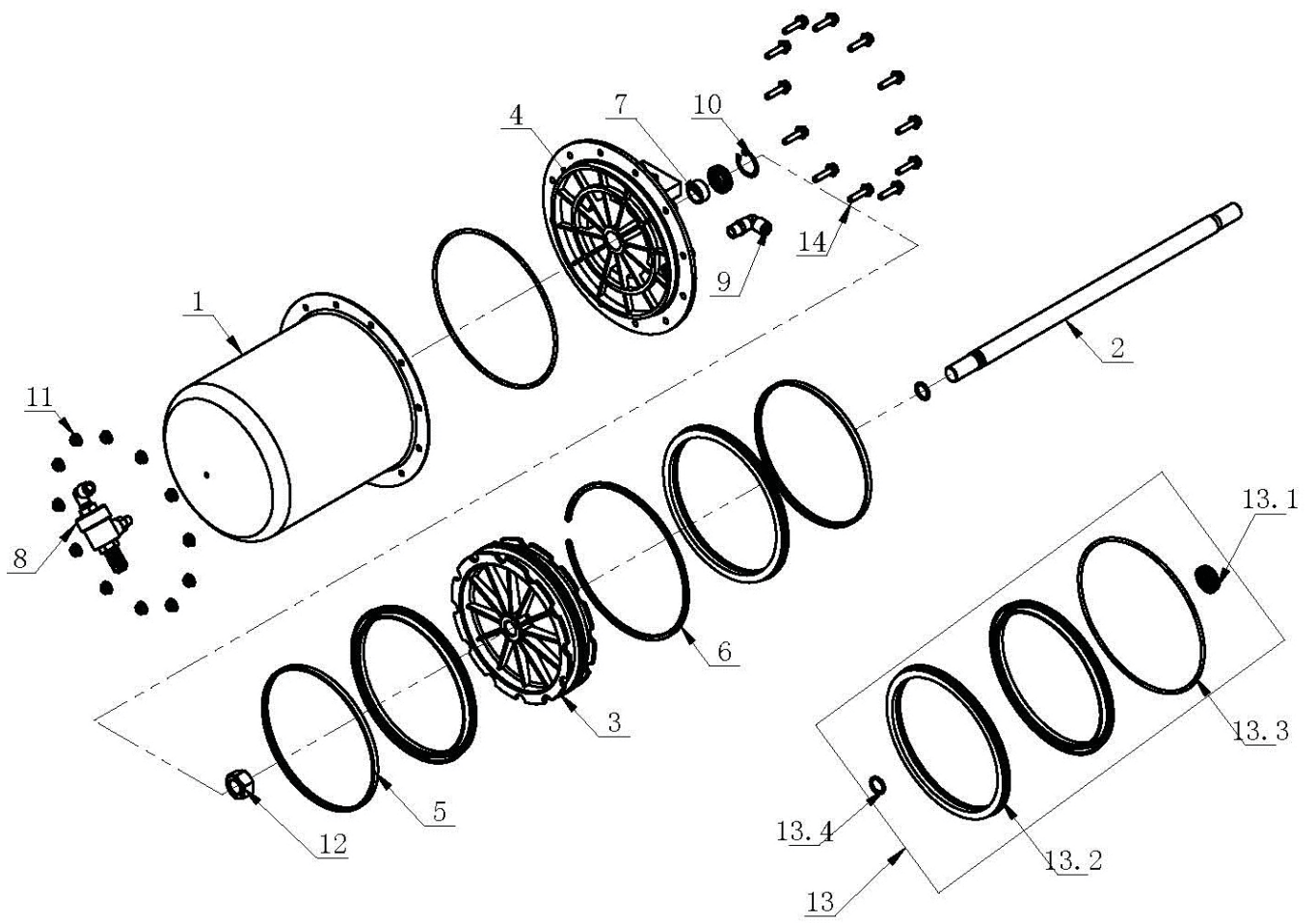


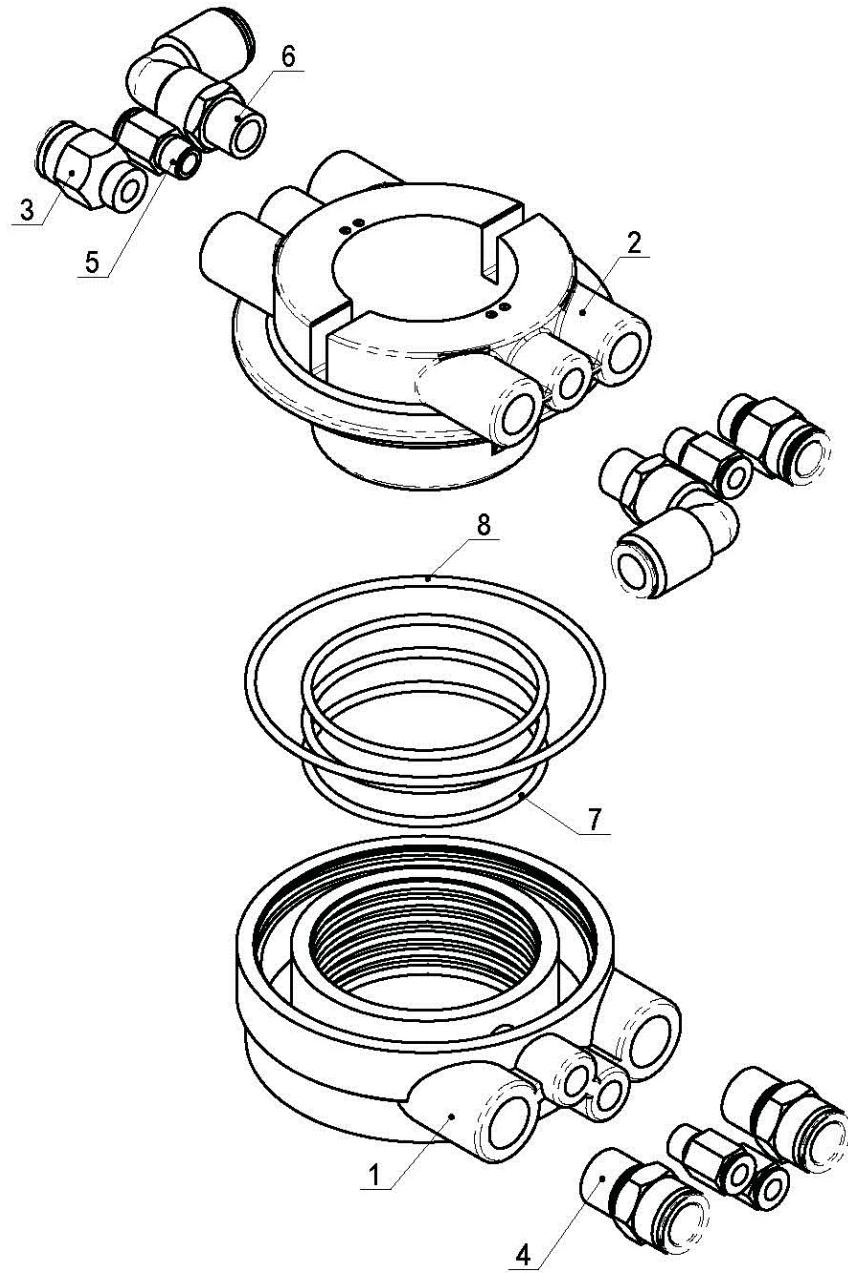


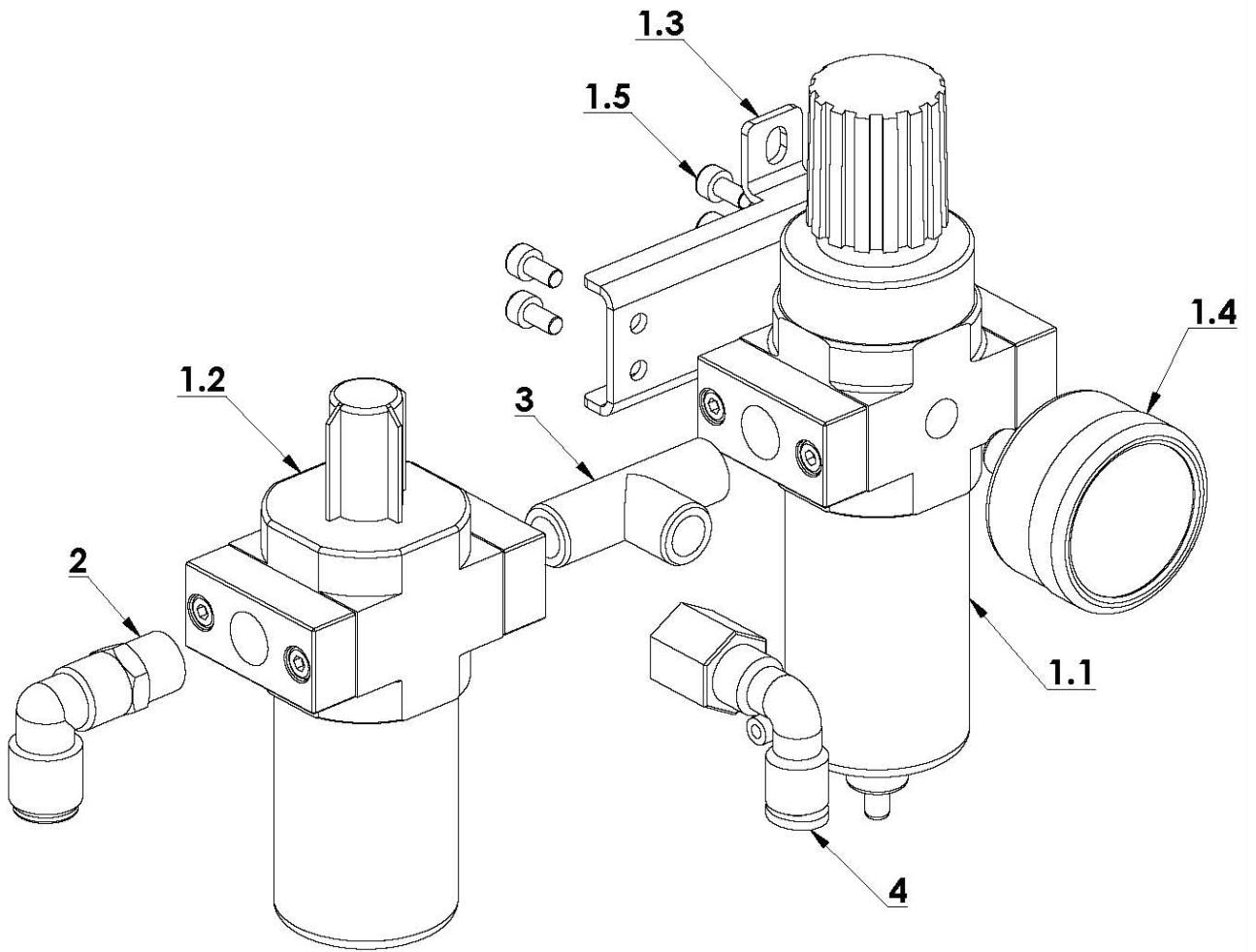




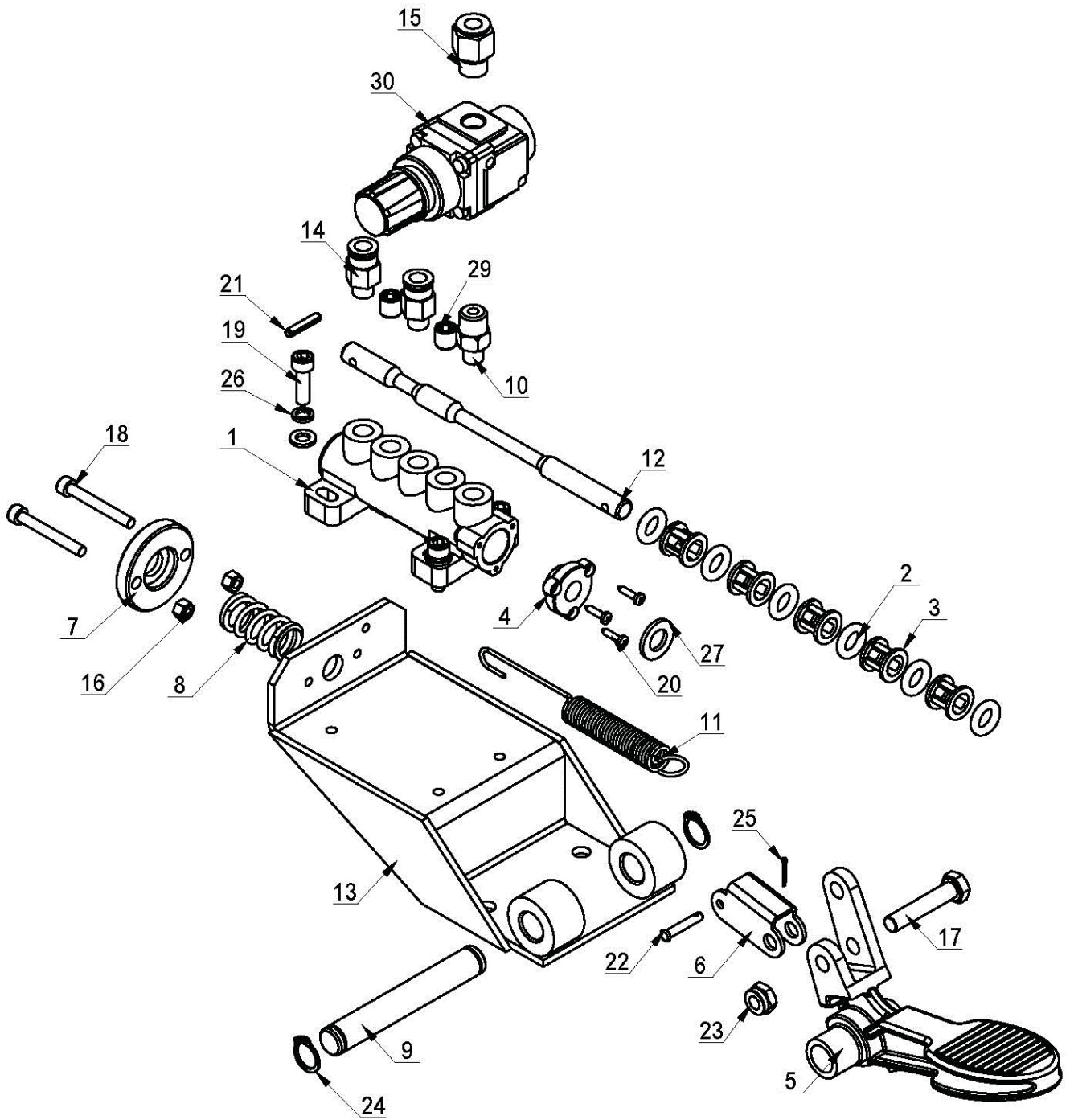


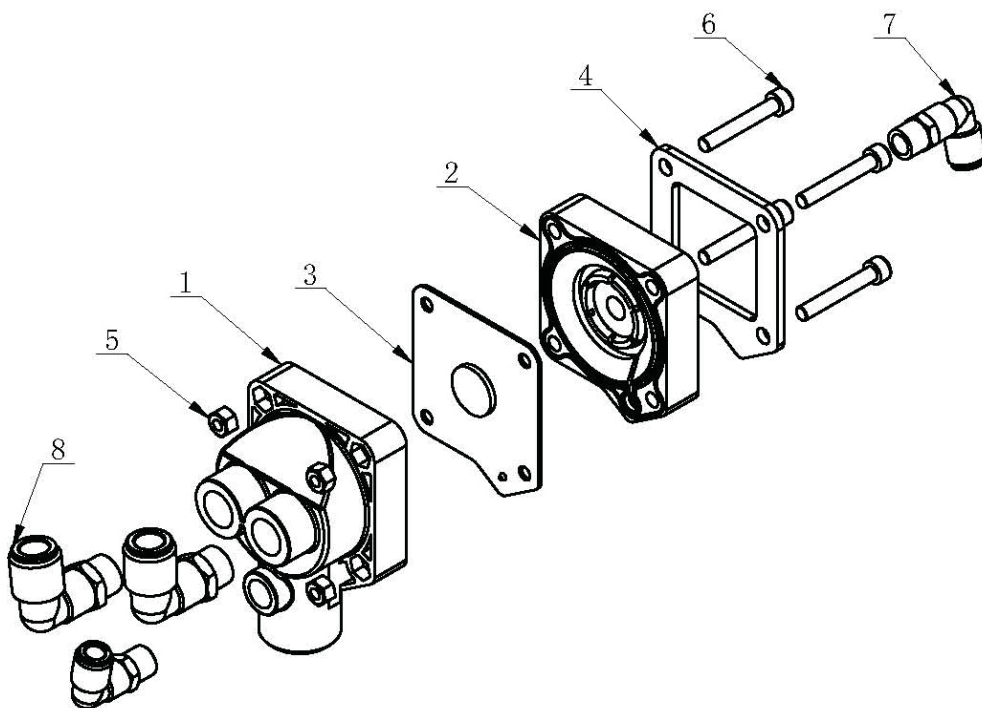


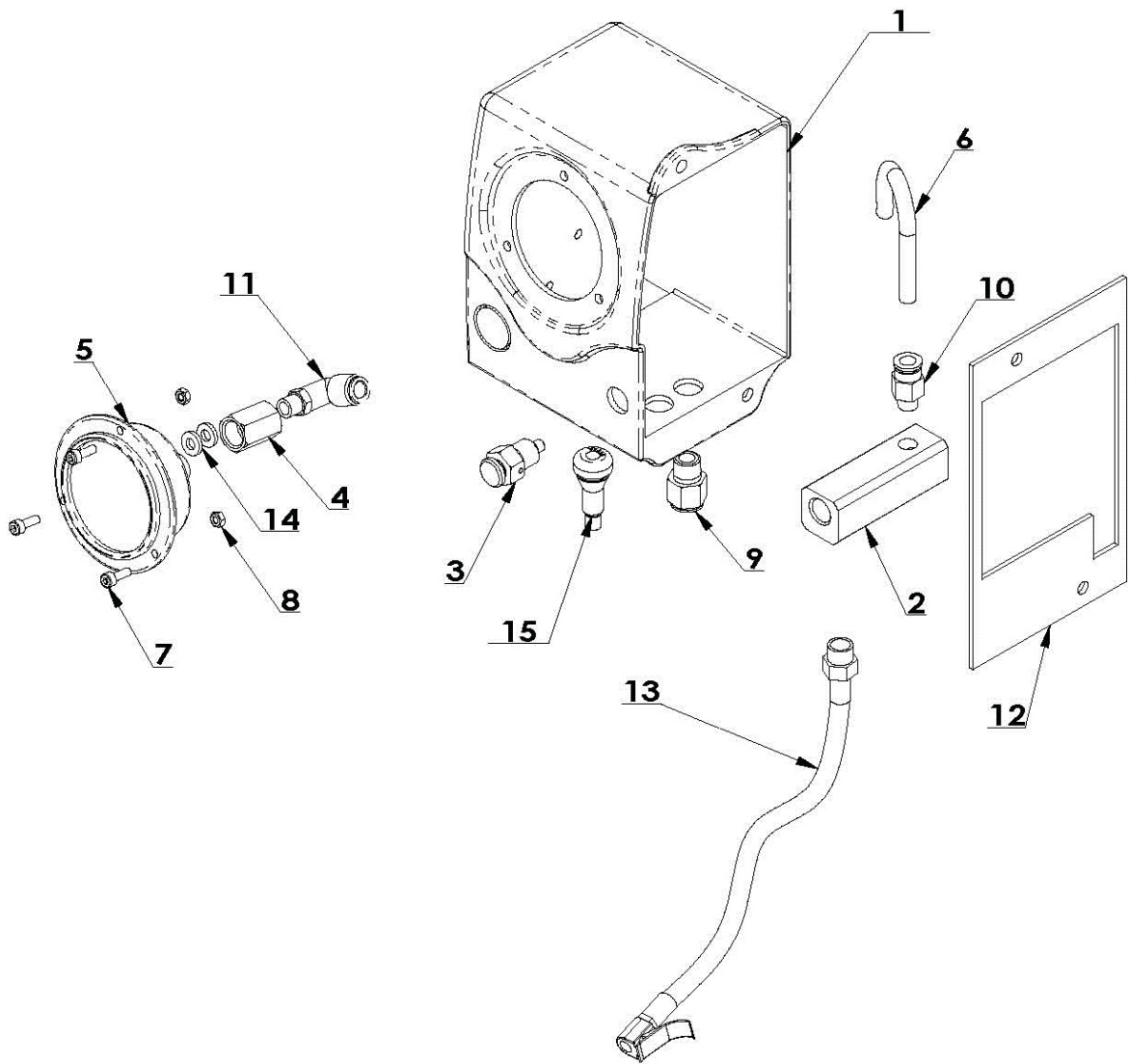


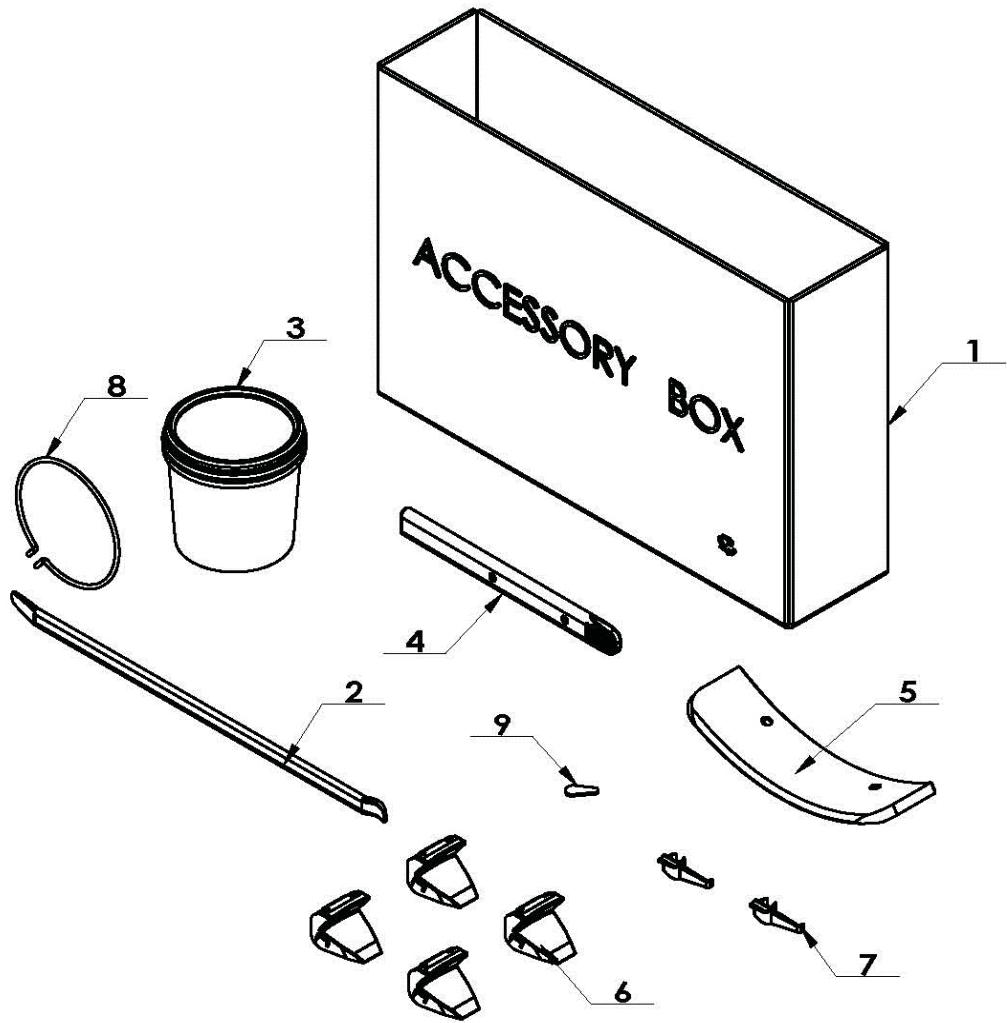














# ATD-TCHD

2017 Mar.

ITEM	Tux P/N	M-Ref P/N	DESCRIPTION	QTY	NOTE
01-1		C-54-1100000	BODY	1	
01-2		C-54-1200000	VERTICAL COLUMN	1	
01-3		C-54-1300000	SWING ARM	1	
01-4		C-54-1000001	SIDE PANEL	1	
01-5		C-54-1000002	WASHER	1	
01-6		C-54-1000003	PROTECTIVE COVER	1	
01-7		C-54-1000004	DOUBLE SCREW R1/4	1	
01-8		C-54-1000005	RUBBER FOOT	4	
01-9		C-54-1000006	RUBBER PAD PLATE	1	
01-10		C-54-1000008	VERTICAL SHAFT	1	
01-11		C-54-1000009	SHAFT WASHER	1	
01-12		C-54-1000010	SCREWS M14X42	2	
01-13		C-54-1000011	ADJUSTING WASHER	1	
01-14		C-54-1000012	PRESS COVER	1	
01-15		C-54-1000013	SEALED COVER	1	
01-16		C-54-1000014	NUT	1	
01-17		C-54-1000015	STOP-UP	1	
01-18		C-54-1000016	WAHER	1	
01-19		C-54-1000017	CABLE CONNECTOR	1	
01-20		C-54-1000018	TOOL BOX	1	
01-21		C-54-1000020	T-PLUG	1	
01-22		C-54-1000022	PLUG C	2	
01-23		C-54-1000023	PLUG A	2	
01-24		C-54-1000024	PRESSURE GAUGE	1	
01-25		C-54-1000025	LOCKNUT	1	
01-26		C-54-1000026	SAFE VALVE	1	
01-27		C-54-1000027	JOINT SEALING GASKET	1	
01-28		C-54-1000028	PLUG B	1	
01-29		C-54-1000029	PU SPIRAL TUBE	4	
01-30		C-54-1400000	HANDLE WHEEL	1	
01-31		C-71-1000020	STOP-UP	2	
01-32		CT-B-2000000	BEAD BREAKER	1	
01-33		CT-C-2100000	BEAD BREAKER BLADE	1	
01-34		CT-D-2100000	PEDAL ASSEMBLY	1	
01-35		CT-DJ-0211212	MOTOR (110V, 60HZ, 1.1KW, 1P)	1	
01-36		CT-DJ-0000007	BELT	1	
01-37		CT-F-3121100	AIR REGULATOR ASSEMBLY	1	
01-38		CT-J-4100000	GEARBOX ASSEMBLY	1	
01-39		CT-K-1100000	QUICK INFLATION PEDAL ASSY	1	
01-40		CT-K-2200000	QUICK EXHAUST VALVE ASSEMBLY	1	
01-41		CT-K-3100000	INFLATOR COVER ASSEMBLY	1	
01-42		CT-LS-2600000	BEAD BREAKER CYLINDER ASSEMBLY	1	
01-43		CT-Q-6000000	CLAMP RING	1	
01-44		CT-Q-A100000	ROTATING UNION	1	
01-45		CT-Y-6100000	TURNTABLE ASSEMBLY	1	
01-46		FPC 10-01	MALE STRAIGHT	4	
01-47		FPC 12-03	MALE STRAIGHT	2	
01-48		FPC 8-02	MALE STRAIGHT	1	
01-49		FPL 12-03	INSERT ELBOW $\Phi$ 12 R3/8"	2	
01-50		FPLF 8-02	FEMALE ELBOW	1	
01-51		FPY-8	Y-SHAPE INSERT FITTING $\Phi$ 8	1	
01-52		GB1096-C12x8x45	COMMON FLAT KEY	1	
01-53		GB41-M10	HEXANGULAR NUT	14	
01-54		GB41-M16	HEXANGULAR NUT	1	
01-55		GB41-M8	HEXANGULAR NUT	2	
01-56		GB5780-M16x100	HEXANGULAR BOLT	1	



# ATD-TCHD

2017 Mar.

ITEM	Tux P/N	M-Ref P/N	DESCRIPTION	QTY	NOTE
01-57		GB5781-M10X200	BOLT M10X200	4	
01-58		GB5781-M10x160	HEXANGULAR BOLT	2	
01-59		GB5781-M5x16	HEXANGULAR BOLT	1	
01-60		GB5781-M8x20	HEXANGULAR BOLT	2	
01-61		GB5782-M12x50	HEXANGULAR BOLT	2	
01-62		GB5782-M12x75	HEXANGULAR BOLT	4	
01-63		GB6172.1-M14	HEXANGULAR THIN NUT	3	
01-64		GB70.1-M10x25	INNER HEXA CYLINDRICAL SCREW	2	
01-65		GB70.1-M12x30	INNER HEXA CYLINDRICAL SCREW	1	
01-66		GB70.1-M5x12	INNER HEXA CYLINDRICAL SCREW	2	
01-67		GB70.1-M6x12	INNER HEXA CYLINDRICAL SCREW	7	
01-68		GB70.1-M6x20	SCREW	5	
01-69		GB70.1-M6x25	SCREW	2	
01-70		GB70.1-M6x35	SCREW	2	
01-71		GB70.1-M8x20	INNER HEXA CYLINDRICAL SCREW	3	
01-72		GB70.1-M8x25	INNER HEXA CYLINDRICAL SCREW	3	
01-73		GB70.1-M8x30	INNER HEXA CYLINDRICAL SCREW	1	
01-74		GB889.1-M14	1-TYPE PREVAILING TORQUE TYPE	1	
01-75		GB889.1-M16	1-TYPE PREVAILING TORQUE TYPE	1	
01-76		GB889.2-M18x1.5	NUT M18X1.5	1	
01-77		GB93-10	STANDARD SPRING WASHER	2	
01-78		GB93-12	WASHER	6	
01-79		GB93-8	STANDARD SPRING WASHER	5	
01-80		GB95-10	FLAT WASHER	16	
01-81		GB95-12	FLAT WASHER	6	
01-82		GB95-16	WASHER	1	
01-83		GB95-5	FLAT WASHER	2	
01-84		GB95-6	FLAT WASHER	16	
01-85		GB95-8	FLAT WASHER	4	
01-86		GB955-14	WAVE-FORM SPRING WASHER	1	
01-87		GB96.2-10	LARGE WASHER C GRADE	6	
01-88		PBH02-01	FAMALE BRANCH TEE	1	
01-89		TC-40-1200022	RUBBER COVER	1	
01-90		CT-E-US00315	CABLE	1	
02-1		C-54-1310000	SWING ARM	1	
02-2		C-54-1320000	LOCK HANDLE	1	
02-3		C-54-1300001	HEXAGON LOCK PLATE	1	
02-4		C-54-1300002	HEXAGON SHAFT	1	
02-5		C-54-1300003	VERTICAL SHAFT COVER	1	
02-6		C-54-1300004	DEMOUNTING HEAD	1	
02-7		C-54-1300005	DECORATING COVER	1	
02-8		C-54-1300006	ROLLER BOLT	1	
02-9		C-54-1300007	SHOCK ABSORBER WASHER	1	
02-10		C-54-1300008	PRESS WASHER	1	
02-11		C-54-1300009	ROLLER	1	
02-12		C-54-1300010	VERTICAL SHAFT SPRING	1	
02-13		TC-40-1200022	RUBBER COVER	1	
02-14		C-54-1300012	VERTICAL SHAFT SPRING	1	
02-15		C-54-1300013	ADJUSTING WASHER	4	
02-16		GB95-10	FLAT WASHER	2	
02-17		GB889.1-M10	1-TYPE PREVAILING TORQUE TYPE	2	
02-18		GB6172.1-M10	HEXANGULAR THIN NUT	1	
02-19		GB70.1-M10x70	INNER HEXA CYLINDRICAL SCREW	1	
02-20		GB894.1-25	SHAFT ELATIC BIG RETAINING RING A-	1	





# ATD-TCHD

2017 Mar.

ITEM	Tux P/N	M-Ref P/N	DESCRIPTION	QTY	NOTE
02-21		GB70.1-M10x30	INNER HEXA CYLINDRICAL	1	
02-22		GB93-10	STANDARD SPRING WASHER	1	
02-23		GB5783-M10x25	HEXANGULAR BOLT	1	
02-24		GB77-M12x16	INNER HEXA FLAT TERMINUS	2	
02-25		GB77-M12x12	INNER HEXA FLAT TERMINUS	2	
02-26		GB93-12	STANDARD SPRING WASHER	1	
02-27		GB5783-M12x30	HEXANGULAR BOLT	1	
02-28		GB95-12	FLAT WASHER	1	
02-29		C-54-8000007	PLASTIC COVER	1	
03-1		CT-B-2100000	BEAD BREAKER	1	
03-2		CT-B-2000001	SLIDE SPACER	1	
03-3		CT-B-2000002	SPRING	1	
04-1		CT-D-0004000	VALVE	1	
04-2		CT-D-0005000	VALVE	1	
04-3		CT-D-1100008	CAM CONNECTING ROD	1	
04-4		CT-D-1100009	CAM	1	
04-5		CT-D-1100010	REVERSE LEVER	1	
04-6		CT-D-1100011	CAM BAFFLE PLATE	1	
04-7		CT-D-1100014	SWITCH COVER	1	
04-8		CT-D-1100016	SPACER	2	
04-9		CT-D-1100018	SWITCH	1	
04-10		CT-D-2100001	SPACER	1	
04-11		CT-D-2100002	TORSION SPRING	1	
04-12		CT-D-2100003	SPRING	2	
04-13		CT-D-2100004	SPRING	1	
04-14		CT-D-2100005	SPACER	2	
04-15		CT-D-2100006	PEDAL	1	
04-16		CT-D-2100007	PEDAL	2	
04-17		CT-D-2100008	SWITCH SUPPORT	1	
04-18		CT-D-2100009	BOTTOM SHAFT	1	
04-19		CT-D-2100010	TORSION SPRING BRACKET	1	
04-20		CT-D-2100011	CONNECTION ROD	1	
04-21		CT-D-2100012	ROTATION SHAFT	1	
04-22		CT-D-2100013	HOSE	1	
04-23		CT-D-2110000	PEDAL SUPPORT WELDING	1	
04-24		CT-D-2120000	CAM BRACKET WELDING	1	
04-25		CT-D-2130000	BRACKET RIVETING	2	
04-26		GB41-M5	NUT	4	
04-27		GB41-M6	HEXANGULAR NUT	10	
04-28		GB41-M8	HEXANGULAR NUT	2	
04-29		GB5781-M8x40	HEXANGULAR BOLT	1	
04-30		GB5782-M8x55	HEXANGULAR BOLT	1	
04-31		GB70-M6x35	INNER HEXA CYLINDRICAL	1	
04-32		GB70.1-M5x25	INNER HEXA CYLINDRICAL	4	
04-33		GB70.1-M6x16	INNER HEXA CYLINDRICAL	5	
04-34		GB70.1-M6x25	INNER HEXA CYLINDRICAL	2	
04-35		GB818-M4x16-H	CROSS PANHEAD SCREW	1	
04-36		GB845-ST2.9x9.5 H C	CROSS PANHEAD TAPPING	2	
04-37		GB846-M5x16-H	CROSS COUNTERSUNK	4	
04-38		GB846-M6x16-H	CROSS COUNTERSUNK	1	
04-39		GB889.1-M8	1-TYPE PREVAILING TORQUE	5	
04-40		GB894.1-14	SHAFT ELATIC BIG RETAINING	2	



# ATD-TCHD

2017 Mar.

ITEM	Tux P/N	M-Ref P/N	DESCRIPTION	QTY	NOTE
04-41		GB93-4	STANDARD SPRING WASHER	1	
04-42		GB93-5	STANDARD SPRING WASHER	4	
04-43		GB93-6	STANDARD SPRING WASHER	7	
04-44		GB95-4	FLAT WASHER	1	
04-45		GB95-5	FLAT WASHER	8	
04-46		GB95-6	FLAT WASHER	6	
04-47		GB95-8	FLAT WASHER	4	
05-1		CT-D-1110003	O-RING	6	
05-2		CT-D-1110004	SPACER	5	
05-3		CT-D-2140001	VALVE STEM	1	
05-4		CT-D-2140002	VALVE BODY	1	
05-5		FPC 8-01	MALE STRAIGHT	2	
05-6		FPD 8-01	MALE RUN TEE	1	
05-7		FSK 01	PARTICLE SILENCER	2	
05-8		GB879.1-4x20	ELASTIC CYLINDRICAL PIN,	1	
05-9		GB95-10	FLAT WASHER	1	
06-1		CT-D-1110003	O-RING	6	
06-2		CT-D-1110004	SPACER	5	
06-3		CT-D-2140001	VALVE STEM	1	
06-4		CT-D-2140002	VALVE BODY	1	
06-5		FPC 6-01	MALE STRAIGHT	2	
06-6		FPL 8-01	INSERT ELBOW $\Phi 8$ , R1/8	1	
06-7		FSK 01	PARTICLE SILENCER	2	
07-1		CT-J-0000005	GEARBOX LOWER	1	
07-2		CT-J-0000006	GEARBOX TOP	1	
07-3		CT-J-0000004	WORM ROD	1	
07-4		CT-J-0000008	BELT PULLEY	1	
07-5		CT-J-0000002	WORM SHAFT	1	
07-6		GB276-6208	BEARING	1	
07-7		GB1096-12x8x56	COMMON FLAT KEY	1	
07-8		GB297-30205	BEARING	2	
07-9		GB1099.1-6x9x22	COMMON SEMI-CIRCULAR	1	
07-10		CT-J-0000003	WORM	1	
07-11		GB894.1-50	RETAINING RING A-TYPE	1	
07-12		FB25-40 GB13871.92	SEALED RING	1	
07-13		CT-J-0100000	CAP	1	
07-14		GB276-6010	DEEP GROOVE BALL	1	
07-15		GB96.2-8	LARGE WASHER C GRADE	1	
07-16		GB93-8	STANDARD SPRING WASHER	1	
07-17		GB5783-M8x25	HEXANGULAR BOLT	1	
07-18		GB70.1-M8x30	INNER HEXA CYLINDRICAL	8	
07-19		GB41-M8	HEXANGULAR NUT	8	
07-20		GB3452.1-	HYDRAULIC-PNEUMATIC	1	
07-21		TC-10-1400013	BOLT	1	
<b>08-1</b>		<b>CT-Y-6110000</b>	<b>TURNTABLE</b>	<b>1</b>	
<b>08-2</b>		<b>CT-Y-6120000</b>	<b>CYLINDER BRACKET</b>	<b>2</b>	
<b>08-3</b>		<b>CT-Y-5030000</b>	<b>SQUARE TURNTABLE</b>	<b>1</b>	
<b>08-4</b>		<b>CT-Y-5020000</b>	<b>CONNECTION PLATE</b>	<b>4</b>	



# ATD-TCHD

2017 Mar.

ITEM	Tux P/N	M-Ref P/N	DESCRIPTION	QTY	NOTE
08-5		CT-Y-5010000	CYLINDER ASSEMBLY	2	
08-6		CT-Y-6100001	SCALE	2	
08-7		CT-Y-6100002	PROTECTION COVER	4	
08-8		CT-Y-6100003	PRESS PLATE	2	
08-9		CT-Y-6100004	WEARABLE WASHER	4	
08-10		CT-Y-0100002	CLAMP	4	
08-11		CT-Y-0100003	SPACER	4	
08-12		CT-Y-0320000	SLIDE COVER	4	
08-13		GB95-12	FLAT WASHER	12	
08-14		GB93-12	STANDARD SPRING WASHER	8	
08-15		GB5783-M12x35	HEXANGULAR BOLT	4	
08-16		GB5782-M12x85	HEXANGULAR BOLT	4	
08-17		GB894.2-85	SHAFT ELATIC RETAINING	1	
08-18		GB95-4	FLAT WASHER	8	
08-19		GB70.1-M4x10	INNER HEXA CYLINDRICAL	8	
08-20		GB894.1-12	SHAFT ELATIC BIG RETAINING	4	
08-21		GB827-3x10	LABEL RIVET	4	
08-22		GB879.1-4x14	ELASTIC CYLINDRICAL PIN	8	
08-23		CT-Y-0100008	HINGE ELBOW $\Phi$ 8	2	
08-24		CT-Y-0100006	HINGE ELBOW $\Phi$ 8 R1/8"	2	
09-1		CT-Y-4120004	CYLINDER FRONT COVER	1	
09-2		CT-Y-5010001	CYLINDER 80MM	1	
09-3		CT-Y-5010002	SHAFT-CLYDR	1	
09-4		CT-Y-4120005	CAP-BASE,CYLNDR	1	
09-5		CT-Y-5010003	BOLT	4	
09-6		GB893.1-30	ELASTIC RETAINING RING A-	1	
09-7		GB889.1-M8	1-TYPE PREVAILING TORQUE	4	
09-8		GB95-12	FLAT WASHER	1	
09-9		GB889.1-M12	1-TYPE PREVAILING TORQUE	1	
09-10		JH1 2010	BEARING-SLIDE	1	
09-11		CT-Y-4121000	CYCLINDER SEALING PARTS	1	
09-11.1		GB3452.1-75x2.65-G	HYDRAULIC-PNEUMATIC	2	
09-11.2		CT-Y-0160007	SEAL-ROD,CYLNDR	1	
09-11.3		GB3452.1-20x2.65	HYDRAULIC-PNEUMATIC	1	
09-11.4		CT-Y-4120006	PISTON	1	
10-1		CT-DJ-0000001	MOTOR SUPPORT	1	
10-2		CT-DJ-0000002	RUBBER WASHER	8	
10-3		CT-DJ-0000003	MOTOR BELT PULLEY	1	
10-4		CT-DJ-0011212	MOTOR	1	
10-5		GB1096-C6x6x28	COMMON FLAT KEY	1	
10-6		GB41-M10	HEXANGULAR NUT	4	
10-7		GB41-M5	NUT	1	
10-8		GB5781-M10x50	HEXANGULAR BOLT	4	
10-9		GB71-M5x16	SLOTTED CONIC HEAD SET	1	
10-10		GB95-10	FLAT WASHER	4	
10-11		GB96.2-10	LARGE WASHER C GRADE	4	
11-1		CT-LS-1100002	CYLINDER BODY	1	
11-2		CT-LS-2100001	CYLINDER PISTON ROD	1	
11-3		CT-LS-1100003	PISTON	1	
11-4		CT-LS-1100004	CYLINDER COVER	1	



# ATD-TCHD

2017 Mar.

ITEM	Tux P/N	M-Ref P/N	DESCRIPTION	QTY	NOTE
11-5		CT-LS-1100006	CLAMP RING	2	
11-6		CT-LS-1100007	PISTION SUPPORT RING	1	
11-7		CT-LS-1100008	GUIDER SPACER	1	
11-8		CT-LS-1320000	QUICK DEFLATE VALVE ON	1	
11-9		FPL 8-02	INSERT ELBOW $\phi 8$ , R1/4	1	
11-10		GB893.2-30	ELASTIC RETAINING RING B-	1	
11-11		GB6177.1-M6	HEXA FLANGE NUT	12	
11-12		GB6171- M18x1.5	NUT THIN TOOTH	1	
11-13		CT-LS-1110000	CYLINDER SEALING PARTS	1	
11-13.1		CT-Y-0160007	SEAL-ROD,CYLNDR	1	
11-13.2		CT-LS-1100009	Y-RING	2	
11-13.3		GB3452.1-185x3.55-G	O-RING G TYPE	1	
11-13.4		GB3452.1-15.5x2.65-G	HYDRAULIC-PNEUMATIC	1	
11-14		GB5789-AM6x25	HEXA FLANGE BOLT	12	
12-1		CT-Q-A100001	AIR GUIDE EXTERNAL	1	
12-2		CT-Q-A110000	AIR GUIDE ROTATION	1	
12-3		FPC 10-02	MALE STRAIGHT	2	
12-4		FPC 12-03	MALE STRAIGHT	2	
12-5		FPC 6-01	MALE STRAIGHT	4	
12-6		FPL 10-02	MALE ELBOW	2	
12-7		GB3452.1-60x2.65-G	HYDRAULIC-PNEUMATIC	3	
12-8		GB3452.1-90x2.65-G	HYDRAULIC-PNEUMATIC	1	
13-1		CT-F-3000100	AIR REGULATOR	1	
13-1.1		CT-F-3000010	OIL CPU	1	
13-1.2		CT-F-3000020	WATER CPU	1	
13-1.3		CT-F-2000009	AIR REGULATOR BRACKET	1	
13-1.4		CT-F-2000003	PRESSURE GAUGE	1	
13-1.5		GB70.1-M4x8	INNER HEXA CYLINDRICAL	4	
13-2		FPL 8-02	INSERT ELBOW $\phi 8$ , R1/4	1	
13-3		PEH 02-02	FAMALE UNION TEE	1	
13-4		FPLF8-02	INSERT ELBOW $\phi 8$ ,R1/4	1	
14-1		CT-D-1110001	VALVE BODY	1	
14-2		CT-D-1110003	O-RING	6	
14-3		CT-D-1110004	SPACER	5	
14-4		CT-D-1110005	VALVE CAP	1	
14-5		CT-D-5100002	SWITCH PEDAL	1	
14-6		CT-D-5100005	CATENATION	1	
14-7		CT-K-1100002	MOVABLE PLATE	1	
14-8		CT-K-1100003	SPRING	1	
14-9		CT-K-1100006	SHAFT	1	
14-10		CT-K-1100007	FITTING	1	
14-11		CT-K-1A00001	SPRING	1	
14-12		CT-K-1A00002	VALVE ROD	1	
14-13		CT-K-1A10000	PEDAL SUPPORT WELDING	1	
14-14		FPC 8-01	MALE STRAIGHT	2	
14-15		FPC 8-02	MALE STRAIGHT	1	
14-16		GB41-M5	HEXANGULAR NUT	2	
14-17		GB5781-M8x40	HEXANGULAR BOLT	1	
14-18		GB70.1-M5x40	INNER HEXA CYLINDRICAL	2	
14-19		GB70.1-M6x20	INNER HEXA CYLINDRICAL	3	



# ATD-TCHD

2017 Mar.

ITEM	Tux P/N	M-Ref P/N	DESCRIPTION	QTY	NOTE
14-20		GB845-ST2.9x13 H C	CROSS PANHEAD TAPPING	3	
14-21		GB879.1-4x20	ELASTIC CYLINDRICAL PIN,	1	
14-22		GB882-4x22	PIN SHAFT	1	
14-23		GB889.1-M8	1-TYPE PREVAILING TORQUE	1	
14-24		GB894.1-14	SHAFT ELATIC BIG RETAINING	2	
14-25		GB91-1.6x10	SLOTTED PIN	1	
14-26		GB93-6	STANDARD SPRING WASHER	3	
14-27		GB95-10	FLAT WASHER	1	
14-28		GB95-6	FLAT WASHER	3	
14-29		JB / ZQ4447-1997-G1 / 8x10	SCREWS PLUG R1/8"x10	2	
14-30		AR20-01	PRESSURE REDUCING VALVE	1	
15-1		CT-K-2200001	UPPER COVER	1	
15-2		CT-K-2200002	BOTTOM COVER	1	
15-3		CT-K-2200003	WASHER	1	
15-4		CT-K-2210000	PANEL	1	
15-5		FPL 12-03	INSERT ELBOW $\phi$ 12 R3/8"	2	
15-6		FPL 8-02	INSERT ELBOW $\phi$ 8, R1/4	2	
15-7		GB70.1-M6x40	INNER HEXA CYLINDRICAL	4	
15-8		GB6170-M6	HEXANGULAR NUT	4	
16-1		CT-K-3100001	BODY	1	
16-2		CT-K-3100002	CONNECT NUT	1	
16-3		CT-K-3100003	INFLATING HOSE	1	
16-4		CT-K-3100004	PRESSURE GAUGE	1	
16-5		CT-K-3100005	SIDE PANEL	1	
16-6		CT-K-3100006	INFLATING VALVE	1	
16-7		CT-K-3110000	EXHAUST VALVE ASSEMBLY	1	
16-8		CT-K-3120000	AIR DISTRIBUTING VALVE	1	
16-9		GB70.1-M4x12	INNER HEXA CYLINDRICAL	3	
16-10		FPC 8-01	MALE STRAIGHT	1	
16-11		FPC 8-02	MALE STRAIGHT	1	
16-12		FPL 8-01	INSERT ELBOW $\phi$ 8, R1/8	1	
16-13		GB6170-M4	HEXANGULAR NUT 1-TYPE	3	
16-14		PU-0800180-Y	PU HOSE $\phi$ 8x5	1	
16-15		TC-10-1620003	AIR REGULATOR WASHER	2	
17-1		C-54-8000002	ACCESSORY BOX	1	
17-2		C-54-8000003	20INCH CROWBAR	1	
17-3		C-54-8100000	GREASE CONTAINER	1	
17-4		C-54-8000019	CROWBAR JACKET	1	
17-5		C-90-1000013	BEAD BREAKER BLADE	1	
17-6		C-54-8000005	CLAMP PROTECTION COVER	4	
17-7		C-54-1300014	SHEATH	2	
17-8		C-54-8000004	BRACKET	1	
17-9		C-54-8000007	TOOL HEAF TAIL WASHER	1	