

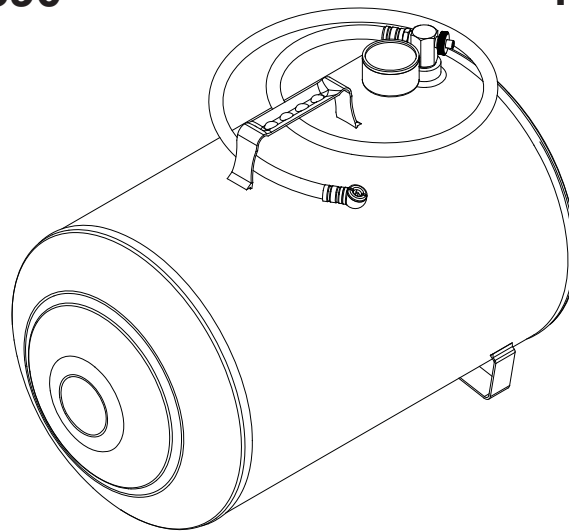


Portable Air Tank

Operating Instructions & Parts Manual

Model
ATD-9895
ATD-9890

Capacity
5 gallon
10 gallon



This is the safety alert symbol. It is used to alert you to potential personal injury hazards. Obey all safety messages that follow this symbol to avoid possible injury or death.

⚠️ ADVERTENCIA

- Leer, comprender, y seguir las instrucciones antes de utilizar el aparato.
- El manual de instrucciones y la información de seguridad deben estar comunicados en lengua del operador antes del uso.
- No seguir estas indicaciones puede causar daños personales o materiales.

⚠️ WARNING

- This portable air tank **does not** meet the safety & performance guidelines of the ASME Pressure Vessel Code. **Never use past the discard date stamped into the bottom of tank.**

⚠️ WARNING ⚠️

WARNING: This product may contain chemicals, including lead, known to the State of California to cause cancer, birth defects or other reproductive harm. *Wash hands after handling.*

Made in China to ATD Tools, Inc. Specifications
Visit us at www.atdtools.com

ATD Tools Inc.
160 Enterprise Drive, Wentzville MO 63385

Read this manual and follow all the Safety Rules and Operating Instructions before using this product.

SAFETY and GENERAL INFORMATION

Save these instructions. For your safety, read, understand, and follow the information provided with and on this portable air tank before using. The owner and operator of this equipment shall have an understanding of this portable air tank and safe operating procedures before attempting to use. The owner and operator shall be aware that use and repair of this product may require special skills and knowledge. Instructions and safety information shall be conveyed in the operator's native language before use of this product is authorized. If any doubt exists as to the safe and proper use of this portable air tank, remove from service immediately.

Inspect before each use. Do not use if broken, bent, cracked or damaged parts are noted. Any portable air tank that appears damaged in any way, or operates abnormally shall be removed from service immediately. If the portable air tank has been dropped or impacted suddenly, unexpectedly, immediately discontinue use until product has been checked by a factory authorized service center (contact distributor or manufacturer for list of authorized service centers). It is recommended that an annual inspection be done by qualified personnel. Labels and Operator's Manuals are available from manufacturer.

PRODUCT DESCRIPTION

ATD Tools Portable Air Tanks are designed to contain air pressure up to 125 psi. **These portable air tanks are designed for one purpose: to supply compressed air for use in inflating tires, sport balls, inflatables.** Check with your inflatable product's owner's manual for proper inflation pressures.



The air contained within this tank **can not be made breathable! NEVER** rely on this portable air tank as a source of breathable air.



RISK OF BURSTING - This portable air tank **does not** meet the safety & performance guidelines of the ASME Pressure Vessel Code. **NEVER** use past the discard date stamped into the bottom of tank.

Do not exceed rated pressure of 125 psi. Fill **only** from low pressure compressor systems whose pressure is no greater than 150 psi.

PREPARATION

BEFORE USE

1. Verify that the product and the application are compatible, if in doubt call ATD Tools Technical Service line (888) 332-6419
2. Before using this product, read the owner's manual completely and familiarize yourself thoroughly with the product, its components and recognize the hazards associated with its use.
3. Replace worn or damaged parts and assemblies with Authorized Replacement Parts only. (See Replacement Parts Section).

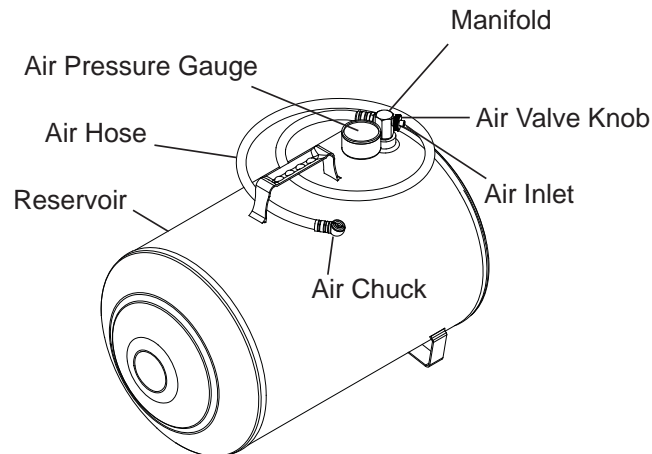


Figure 1 - Typical Air Tank Nomenclature

! WARNING

- **Read, understand and follow** all printed materials provided with and on this device **before use**.
- **RISK OF BURSTING** - **Do not** exceed rated pressure of **125 psi**.
- Fill **only from low pressure compressor** systems whose pressure is **no greater than 150 psi**.
- **Do not adjust or tamper** with factory preset **pressure relief valve**.
- **Do not operate** air tank with damaged or missing parts.
- Replace components with factory authorized parts **only**.
- **Do not attempt to weld or repair** a damaged tank.
- **Replace tank** if it is dented, cracked, rusted or otherwise **damaged in any way**.
- **Always wear safety goggles** when handling or using this equipment.
- Store indoors, **do not expose to moisture** and/or direct sunlight.
- **RISK OF INJECTION** - Use only those attachments recommended by manufacturer. Never direct stream of air at person(s). Always wear safety goggles.
- **RISK OF FIRE OR EXPLOSION** - **Do not** use to **store or disperse combustible/flammable** liquids, gasses or materials of any kind. **Fill only** with filtered and dried **shop air**.
- This portable air tank **does not meet the safety & performance guidelines of the ASME Pressure Vessel Code**. **Never use past the discard date stamped into the bottom of tank**.
- **Failure to heed** these markings may **result in personal injury and/or property damage**.

! WARNING

- The paint on this product contains lead, a chemical known in the State of California to cause cancer, birth defects and other reproductive harm.
- Do not ingest paint chips and keep product away from children.
- Wash hands after each use.

MAINTENANCE

Periodically inspect the air tank. Ensure that all parts move freely. Inspect the air hose for cracking and abrasions. Inspect tank for dents, cracks, and rust.

Do not attempt to weld or repair a damaged tank. Replace damaged components **ONLY!** (see Replacement Parts section below)

Cleaning

Clean as needed and wipe with a dry cloth.

Storage

When not in use, shut off the air valve by turning the red knob clockwise. Store indoors, do not expose to moisture or heat radiation.

REPLACEMENT PARTS

Not all components of the air tank are replacement items, but are illustrated as a convenient reference of location and position in the assembly sequence. When ordering parts, give model number, serial number and description below. Call your distributor or point of sale for pricing.

Part No.	Description	Qty
ATD-9892	Gauge	1
ATD-9893	Manifold	1
ATD-9894	Hose Assy	1

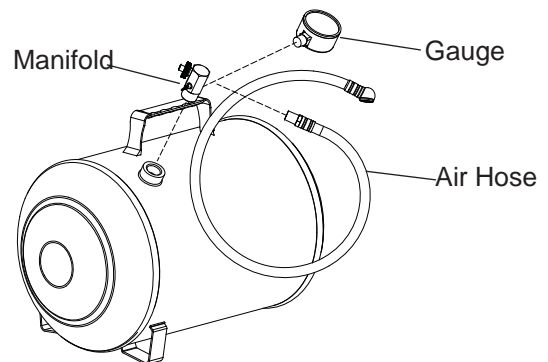


Figure 2 - Illustration for replacement parts

ONE YEAR LIMITED WARRANTY

For a period of one (1) year from date of purchase, **ATD Tools, Inc.** will repair or replace, at its option, without charge, any of its products which fails due to a defect in material or workmanship, or which fails to conform to any implied warranty not excluded hereby.

Performance of any obligation under this warranty may be obtained by contacting your distributor or point of sale for further instructions. Please retain your proof of purchase, as it will be needed for any claim.

Except where such limitations and exclusions are specifically prohibited by applicable law, (1) the CONSUMER'S SOLE AND EXCLUSIVE REMEDY SHALL BE THE REPAIR OR REPLACEMENT OF DEFECTIVE PRODUCTS AS DESCRIBED ABOVE, and (2) **ATD Tools, Inc.** SHALL NOT BE LIABLE FOR ANY CONSEQUENTIAL OR INCIDENTAL DAMAGE OR LOSS WHATSOEVER, and (3) THE DURATION OF ANY AND ALL EXPRESSED AND IMPLIED WARRANTIES, INCLUDING WITHOUT LIMITATION, ANY WARRANTIES OF MERCHANTABILITY AND FITNESS FOR A PARTICULAR PURPOSE, IS LIMITED TO A PERIOD OF ONE (1) YEAR FROM DATE OF PURCHASE.

Some states do not allow limitations on how long an implied warranty lasts, so the above limitation may not apply to you. Some states do not allow the exclusion or limitation of incidental or consequential damages, so the above limitation or exclusion may not apply to you. This warranty gives you specific legal rights, and you may also have other rights which vary from state to state.



ATD Tools, Inc.
160 Enterprise Drive
Wentzville, MO 63385
www.atdtools.com