



**ATD-8116F**  
***EASY-REACH CREEPER***  
**Owner's Manual**



**Features:**

- Great for getting to the engine from the top of the vehicle
- Allows extended periods of time spent bending over the engine without the effect of painful fatigue
- The height of the Easy-Reach Creeper can be adjusted to allow use on many different types of vehicles
- Constructed of heavy-gauge steel with a powder coat finish to protect from scratching
- Deck is padded and covered with heavy vinyl for comfort and durability
- Folds for easy storage

**Specifications:**

- Height Adjustable from 47.5" to 70"
- Shipping dimensions: 51.2" x 24.4" x 6.7"
- Working Load Limit: 400 lbs.
- Padded Deck: 18" x 12"
- 3" Swivel Casters (2 locking, 2 non-locking) for easy movement

# Safety First

---

**⚠ WARNING:** Failure to follow these safety requirements could result in personal injury. This product is a tool to reach what are normally hard to reach places, such as the topside of an engine compartment for mechanics.

- Always inspect the product for damage before each use. Do not use if damage is detected. Make sure all nuts and bolts are secure before each use.
- Always engage the caster locks before using the Easy-Reach Creeper.
- Always make sure the angle adjustment bar is secure in one of the three position slots before using.
- Always face the Easy-Reach Creeper when climbing up or down. Use both hands and keep your body centered between the rails.
- **DO NOT USE THE PRODUCT** if you tire easily or are subject to fainting spells or disorientation.
- **DO NOT USE THE PRODUCT** if you are taking medication that could impair judgement.
- **DO NOT USE THE PRODUCT** if you are under the influence of drugs or alcohol.
- **DO NOT USE THE PRODUCT** if you are physically challenged.
- **DO NOT** sit or stand on the chest pad.
- **DO NOT** overload the product. The maximum capacity is 400 lbs. (180 kg) which includes body weight, tools and torque applied to tools.
- **DO NOT** use the Easy-Reach Creeper over a running engine.

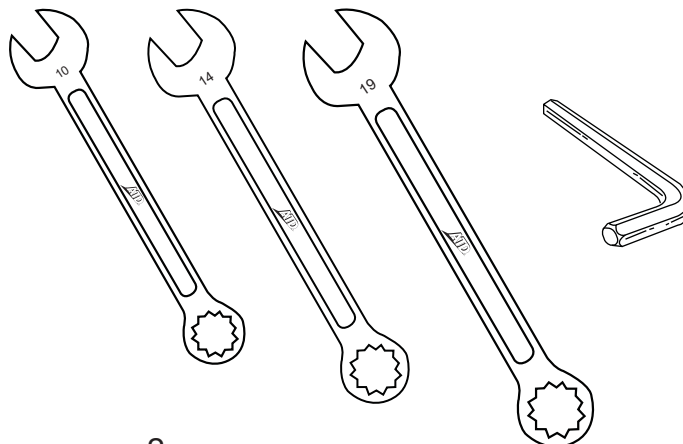
## Assembly

---

Before starting to assemble your new ATD-8116F Easy-Reach Creeper, lay all of the parts out and familiarize yourself with them, and read through the instructions on the following pages so you will be familiar with how it goes together when you begin.

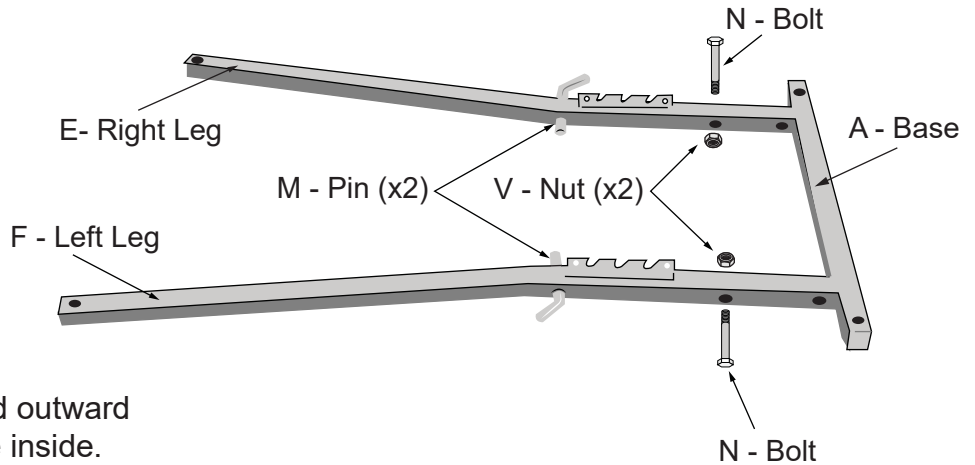
### Tools Needed

10mm Wrench  
14mm Wrench  
19mm Wrench  
M6 Hex Key



# Assemble Base

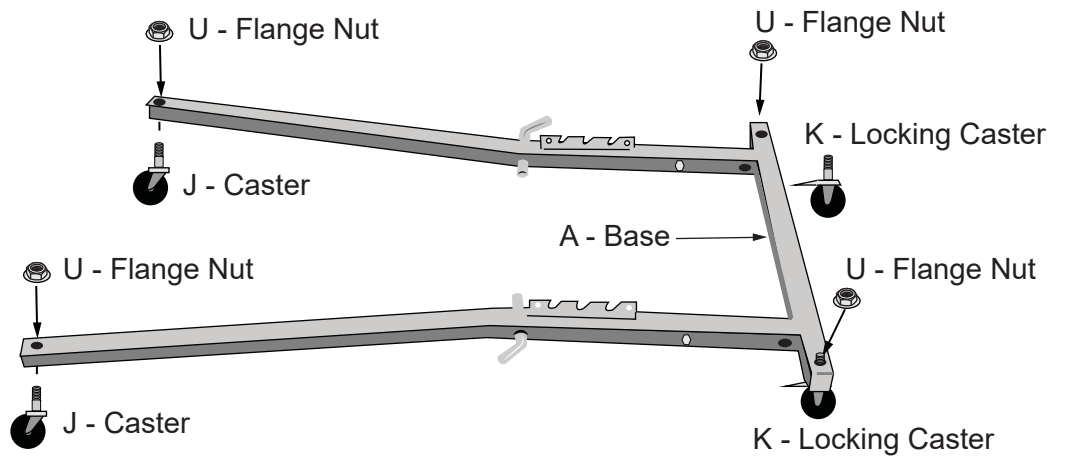
Assemble legs (E and F) to base (A) using bolts (N), nuts (V) and pins (M) as shown. Do not overtighten.



**NOTE:** The two legs must be angled outward with angle adjustment notches on the inside.

# Attach Casters

With angle adjustment notches upward, secure two locking casters (K) to closed end of the base (A) using flange nut (U). Secure two non-locking casters (J) to the outward protruding legs using flange nuts (U) as shown.

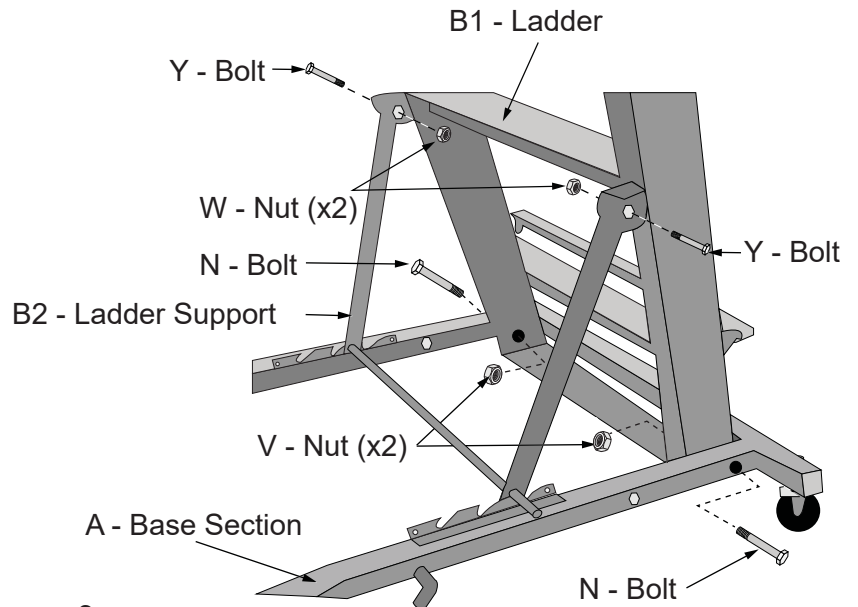


# Attach Step Section

Position ladder (B1) as shown. Secure ladder to base using two bolts (N) and two lock nuts (V).

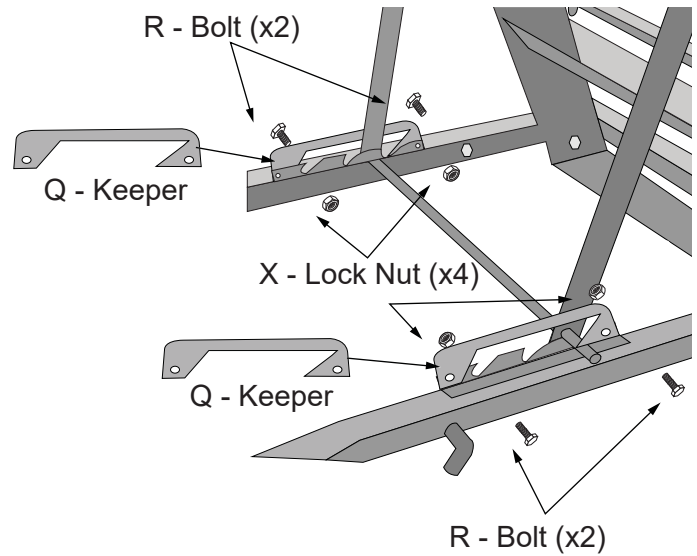
## IMPORTANT

Ladder must be secured before proceeding. Insert both spring loaded pins into corresponding notch in outside rail of base section (A). Slide inside ladder frame until both spring loaded adjustment pins fully engage through oblong adjustment notches of inside rails.



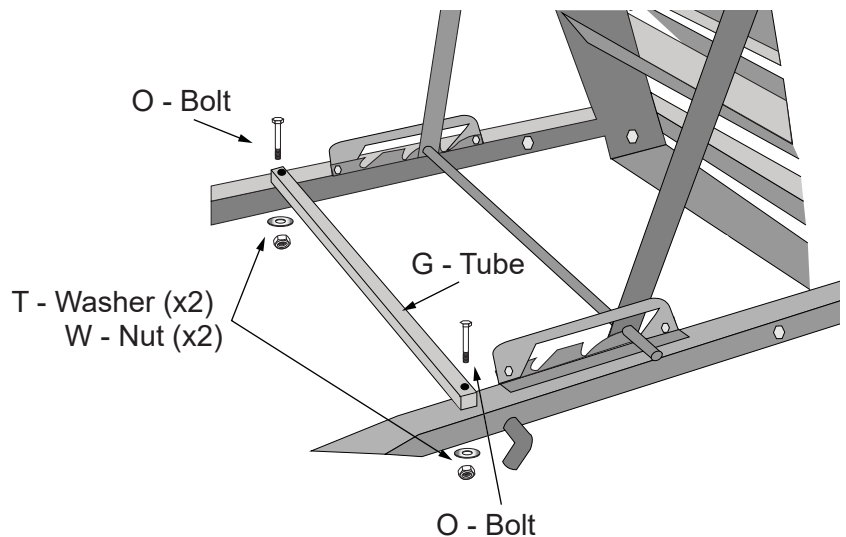
## Attach Angle Adjustment Keepers

Place angle adjustment bar into one of the three adjustment slots located on the base. secure angle adjustment keepers (Q) to base using bolts (R) and lock nuts (X).



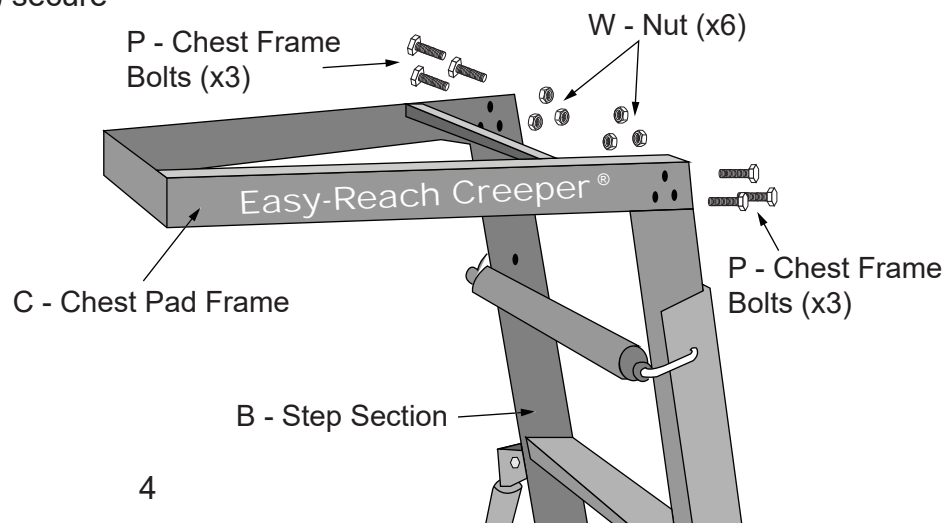
## Attach Base Cross Bar

Using two bolts (O), two nuts (W) and washers (T), attach square tube cross bar support (G) to base as shown.



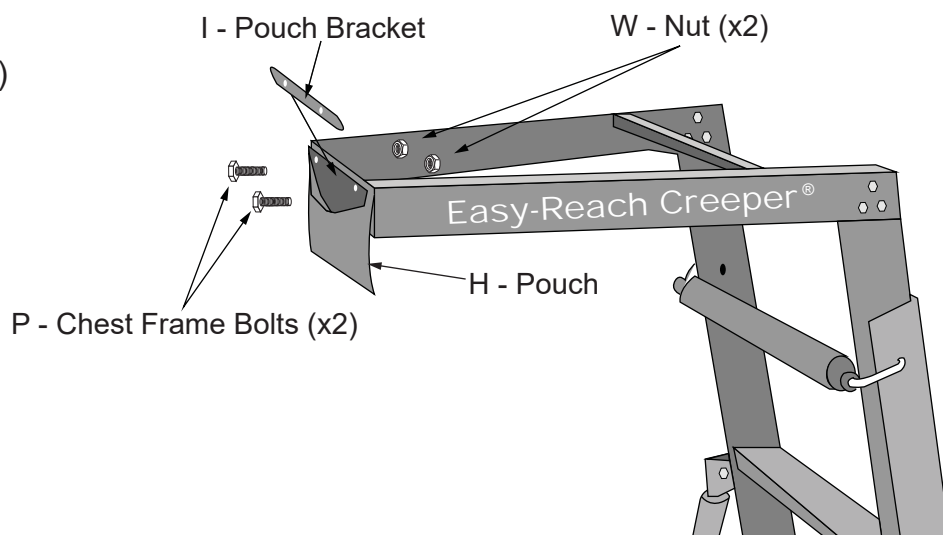
## Attach Chest Pad Frame

Using chest frame bolts (P) and nuts (W) secure chest pad frame (C) to step section (B) as shown.



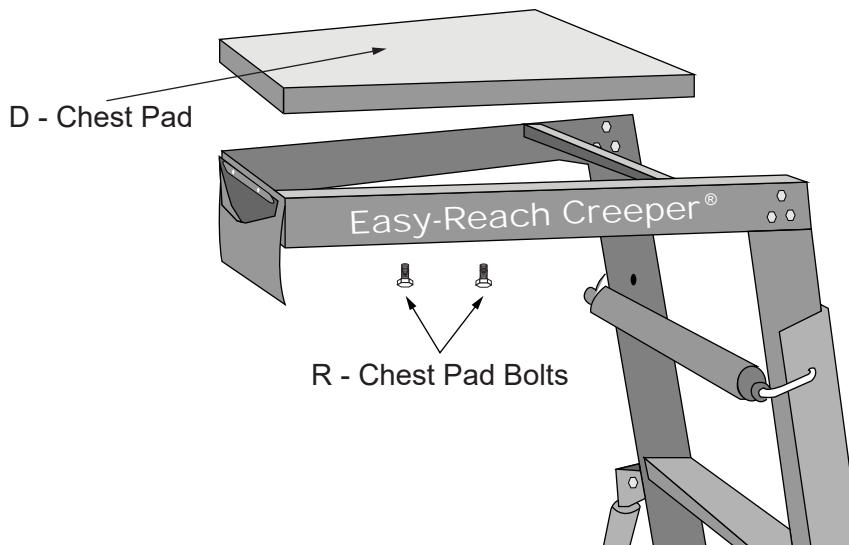
## Attach Tool Pouch

Place pouch bracket (I) over pouch (H) and align screw holes. Secure with chest frame bolts (P) and lock nuts (W).



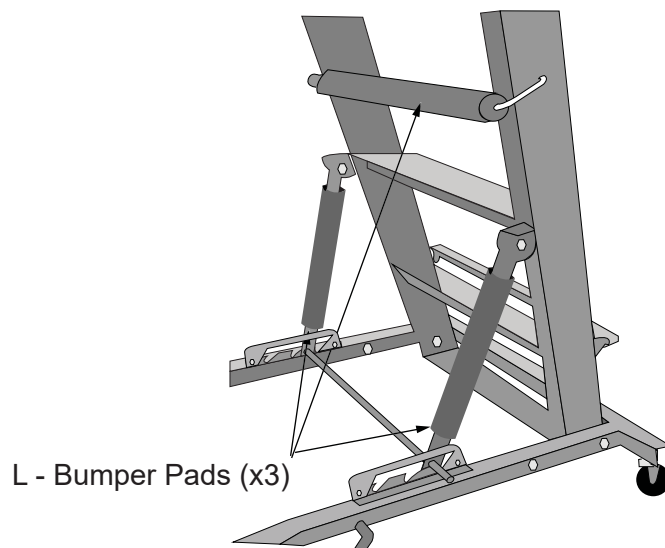
## Attach Chest Pad

Using two bolts (R) secure the chest pad (D) to the frame. Insert screws through holes in the bottom of the frame and into the threaded inserts in the bottom of the pad.



## Attach Bumper Pads

Slide the three bumper pads (L) onto the angle support bars and the crossbar with the spring-loaded pins.



# Operating Instructions

---

## Using the adjustable angle lean-in feature

There are three different lean-in angles that allow the user to adjust positioning. This helps the user to maximize safety and productivity. To adjust angle lean-in:

1. Lock casters (K) by pressing the lock tab with your foot on each of the locking casters.
2. Push back on the climbing section (B).
3. Move angle adjustment to one of the three notches located on the base.

## Changing Working Height

The working height of the Easy-Reach Creeper can be adjusted to fit the needs of each individual task from 47.5" (120.65 cm) to 70" (177.8 cm) in height. To change the working height:

1. Lock casters (K) by pressing the lock tab with your foot on each of the locking casters.
2. Grasp a step within the sliding section with one hand while using the other hand to pull one of the spring loaded locking pins outward. Rotate the pin so it does not slide back into the locking slot.
3. Repeat step 2 on the other side of the sliding section to remove the second spring loaded locking pin.  
**IMPORTANT:** One hand **MUST** have a firm hold of a step within the sliding section when the second spring loaded locking pin is removed from the locked position. This prevents the sliding section from free falling which could cause serious personal injury.
4. Slide the inside step section up or down to desired height while maintaining a firm grip.
5. While holding a step within the sliding section with one hand, guide one of the spring loaded locking pins into its corresponding hole in the outside rail.

## Folding Up

The Easy-Reach Creeper folds up for easy and compact storage.

---



Lock Casters by pressing downward on the locking tab with your foot.



Remove two locking pins from the assembled base section.



Push the Angle Adjustment Bar forward to the first setting of the notched Angle Adjustment Keeper.

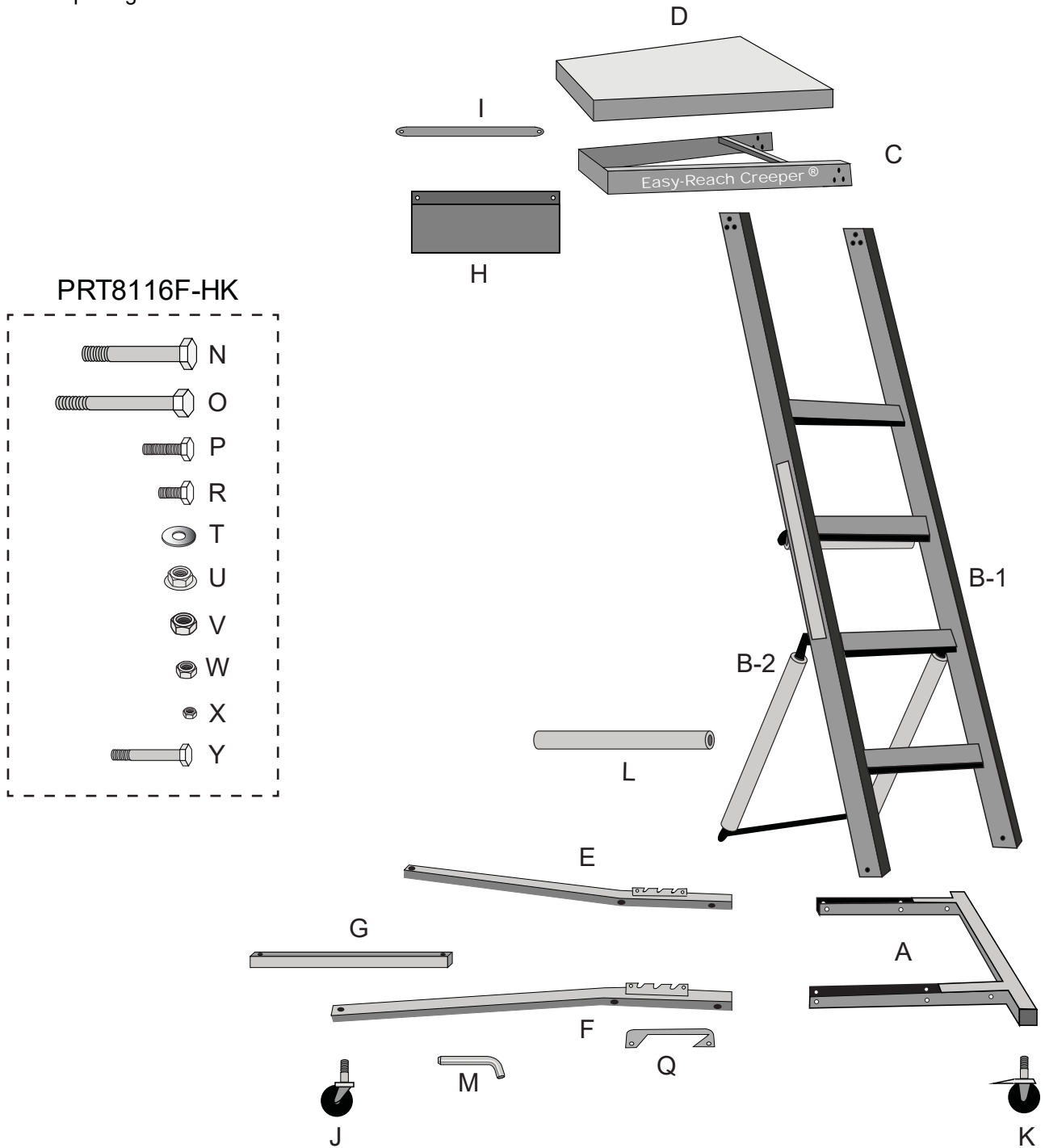


Grasp each of the two legs (E and F) and raise to the climbing section.

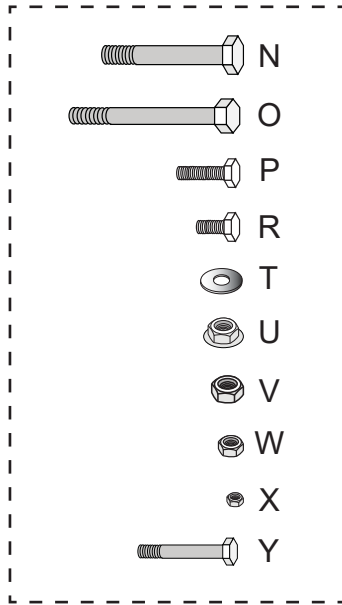
Replace pins back into their holes for safe keeping.

# REPLACEMENT PARTS

Not all components of this unit are replacement items, but are illustrated as a convenient reference for position in the assembly sequence. When ordering parts, give model number, part number and description. Call your distributor for current pricing:



## PRT8116F-HK



ITEM#	ORDERING PART#	PART DESCRIPTION	QTY
A	PRT8116F-A	BASE FRAME	1
B1	PRT8116F-B1	LADDER ASSEMBLY	1
B2	PRT8116F-B2	LADDER SUPPORT	1
C	PRT8116F-C	CHEST DECK FRAME	1
D	PRT8116F-D	CHEST DECK PAD	1
E	PRT8116F-E	RIGHT LEG	1
F	PRT8116F-F	LEFT LEG	1
G	PRT8116F-G	LEG CROSS SUPPORT	1
H	PRT8116F-H	POUCH	1
I	PRT8116F-I	POUCH BRACKET	1
J	PRT8116F-J	FRONT CASTER	2
K	PRT8116F-K	REAR CASTER (LOCKING)	2
L	PRT8116F-L	BUMPER PADS	3

ITEM#	ORDERING PART#	PART DESCRIPTION	QTY
M	PRT8116F-M	LEG LOCK PIN	2
N	PRT8116F-HK	FRAME BOLTS M12 X 60	4
O	PRT8116F-HK	CROSS SUPPORT BOLTS M8 X 80	2
P	PRT8116F-HK	CHEST FRAME BOLTS M8 X 20	8
Q	PRT8116F-Q	HEIGHT ADJUSTMENT PLATE	2
R	PRT8116F-HK	BOLT M6 X 16	6
T	PRT8116F-HK	WASHERS M8	2
U	PRT8116F-HK	FLANGE NUT M10	4
V	PRT8116F-HK	LOCK NUT M12	4
W	PRT8116F-HK	LOCK NUT M8	12
X	PRT8116F-HK	LOCK NUT M6	4
Y	PRT8116F-HK	LADDER ASSEMBLY BOLTS M8 X 45	2

PRT8116F-HK - HARDWARE KIT CONTAINS N, O, P, R, T, U, V, W, X & Y



# WARRANTY

1 YEAR LIMITED WARRANTY

THIS WARRANTY AND CONFIRMED RECEIPT(S) SHOULD BE RETAINED BY THE CUSTOMER AT ALL TIMES

PURCHASED FROM: \_\_\_\_\_

DATE PURCHASED: \_\_\_\_\_

INVOICE/RECEIPT NUMBER: \_\_\_\_\_

Your ATD-8116F is warranted for a period of 12 months from the original purchase date.

For a period of one (1) year from your purchase date, ATD Tools Inc. will repair or replace (at its option) without charge, your ATD product if it was purchased new and the product has failed due to a defect in material or workmanship which you experienced during normal use of the product. This limited warranty is your exclusive remedy.

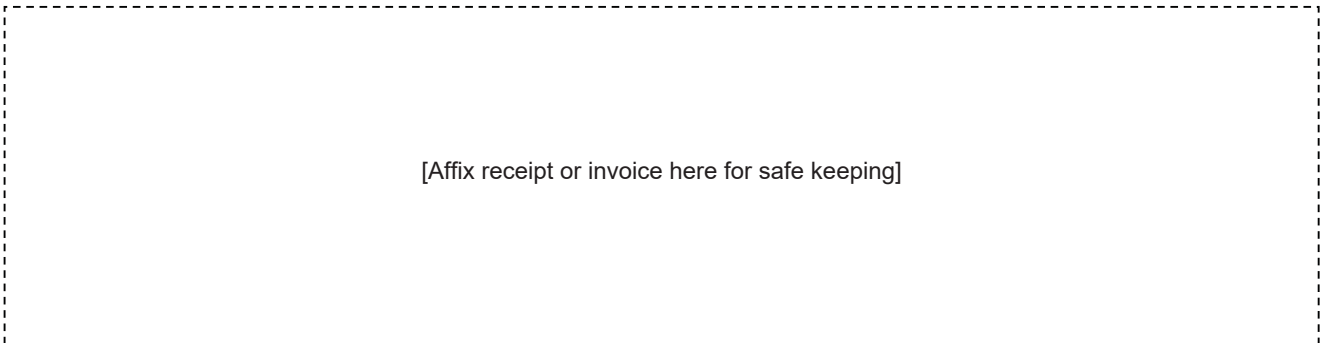
To access the benefits of this warranty, contact your supplier, or point of sale directly. You may be advised to return the product under warranty, freight prepaid, to your supplier for warranty determination.

If this ATD product is altered, abused, misused, modified, or undergoes service by an unauthorized technician, your warranty will be void. We are not responsible for damage to ornamental designs you place on this ATD product and such ornamentation should not cover any warnings or instructions or they may void the warranty. This warranty does not cover scratches, superficial dents, and other abrasions to the paint finish that occur under normal use. It also does not cover normal wear items such as but not limited to brushes, batteries, drill bits, drill chucks, pads or blades.

Subject to the law in your state:

- (1) Your sole and exclusive remedy is repair or replacement of the defective product as described above.
- (2) ATD is not liable for any incidental damages, including but not limited to, lost profits and unforeseeable consequences.
- (3) The repair and replacement of this product under the express limited warranty described above is your exclusive remedy and is provided in lieu of all other warranties, express or implied. All other warranties, including implied warranties and warranties of merchantability or fitness for a particular purpose are disclaimed and, if disclaimer is prohibited, these warranties are limited to one year from your date of purchase of this product.

Some states' laws do not allow limited durations on certain implied warranties and some states' laws do not allow limitations on incidental or consequential damages. You should consult the law in your state to determine how your rights may vary.



[Affix receipt or invoice here for safe keeping]