



ATD-81075
Adjustable Shop Stool With Backrest
Owner's Manual



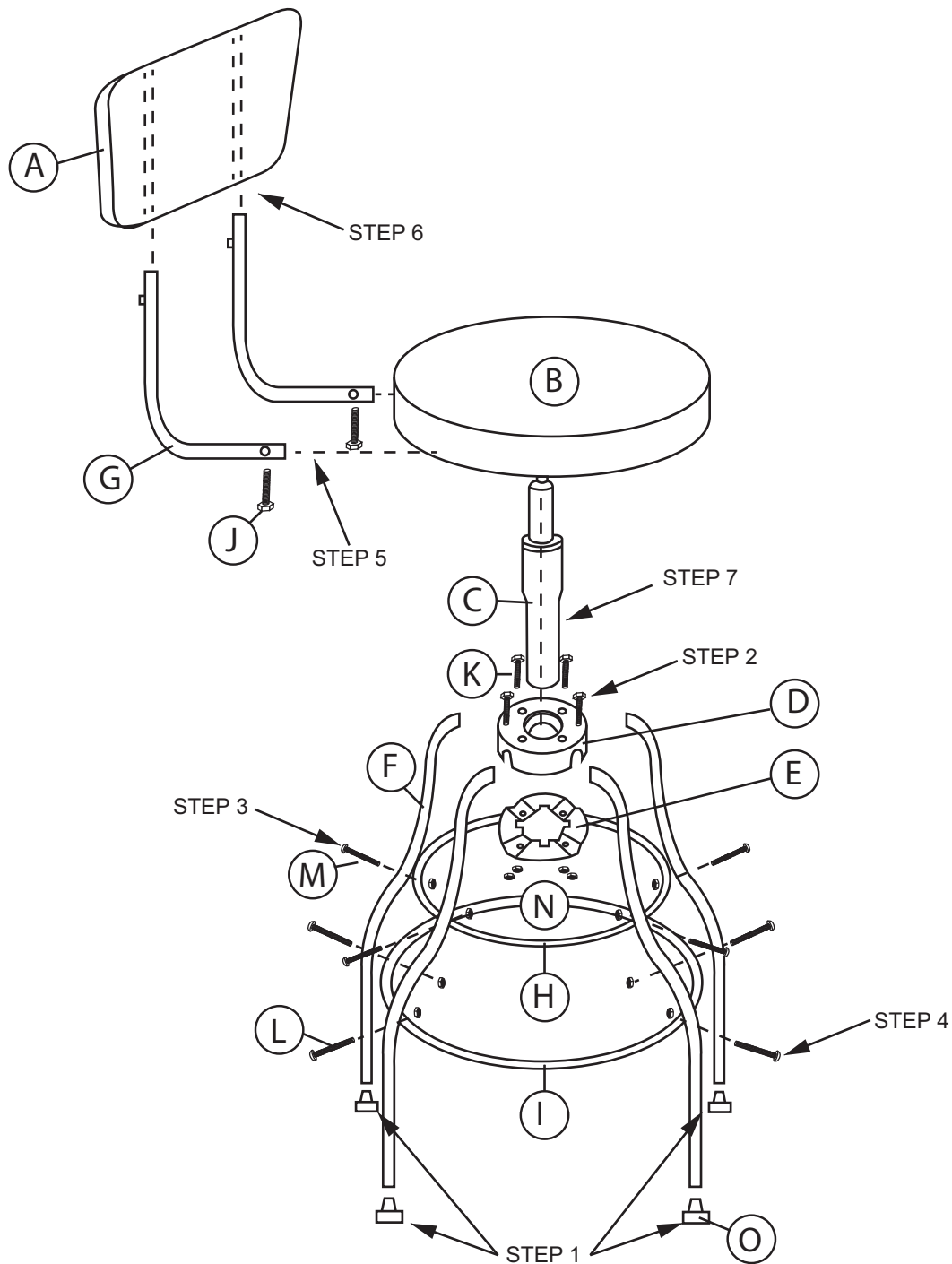
FEATURES:

- Weight Capacity: 300 lbs.
- Powder coated steel components
- Seat height adjusts from 29.50" to 34.25" and swivels 360°

SPECIFICATIONS:

- Seat Diameter: 14"

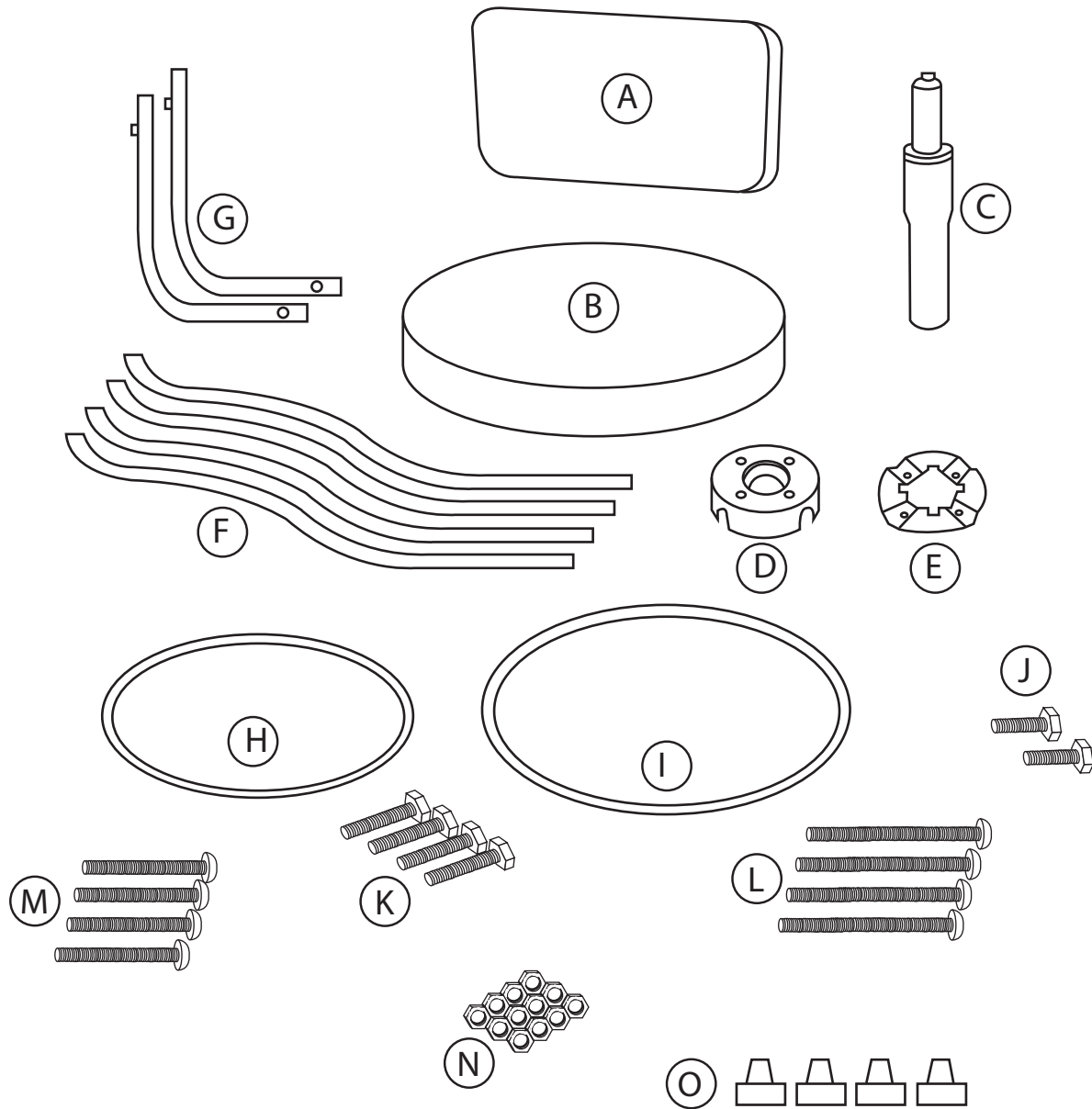
ASSEMBLY INSTRUCTIONS:



- 1) Attach the foot (O) to the bottom of the leg (F)
- 2) Attach the legs (F) to the center hub (D) with bolts (K). Attach the round plate (E) to the hub (D) with nuts (N).
- 3) Attach the upper outer ring (H) with bolts M and nuts (N)
- 4) Attach the foot rest ring (I) with bolts (L) and nuts (N)
- 5) Slide the backrest tube (G) into the seat (B) fasten with bolts (J)
- 6) Slide the backrest (A) into the tubes (G) until knobs lock into place
- 7) Slide the pneumatic cylinder (C) into the center hub (D) and seat (B)

REPLACEMENT PARTS

Not all components of this product are replacement items, but are illustrated as a convenient reference for position in the assembly sequence. When ordering parts, give model number, part number and description. Call your distributor for current pricing:



ITEM#	PART DESCRIPTION
A	BACKREST
B	SEAT
C	PNEUMATIC CYLINDER
D	CENTER HUB
E	ROUND PLATE
F	LEG
G	BACKREST TUBE
H	UPPER OUTER RING

ITEM#	PART DESCRIPTION
I	LOWER INNER RING / FOOTREST
J	SMALL BOLT
K	ALLEN HEAD SCREW
L	40mm PHILLIPS SCREW
M	35mm PHILLIPS SCREW
N	M6 NUT
O	FOOT

ITEM#	ORDERING PART#	PART DESCRIPTION
A	PRT81075-01	BACKREST
B	PRT81075-02	SEAT
C	PRT81075-03	PNEUMATIC CYLINDER
O	PRT81075-04	FOOT



ATD[®]

WARRANTY

1 YEAR LIMITED WARRANTY

THIS WARRANTY AND CONFIRMED RECEIPT(S) SHOULD BE RETAINED BY THE CUSTOMER AT ALL TIMES

PURCHASED FROM: _____

DATE PURCHASED: _____

INVOICE/RECEIPT NUMBER: _____

Your ATD-81075 is warranted for a period of 12 months from the original purchase date.

For a period of one (1) year from your purchase date, ATD Tools, Inc. will repair or replace (at its option) without charge, your ATD product if it was purchased new and the product has failed due to a defect in material or workmanship which you experienced during normal use of the product. This limited warranty is your exclusive remedy.

To access the benefits of this warranty, contact your supplier, or point of sale directly. You may be advised to return the product under warranty, freight prepaid, to your supplier for warranty determination.

If this ATD product is altered, abused, misused, modified, or undergoes service by an unauthorized technician, your warranty will be void. We are not responsible for damage to ornamental designs you place on this ATD product and such ornamentation should not cover any warnings or instructions or they may void the warranty. This warranty does not cover scratches, superficial dents, and other abrasions to the paint finish that occur under normal use. It also does not cover normal wear items such as but not limited to brushes, batteries, drill bits, drill chucks, pads or blades.

Subject to the law in your state:

- (1) Your sole and exclusive remedy is repair or replacement of the defective product as described above.
- (2) ATD is not liable for any incidental damages, including but not limited to, lost profits and unforeseeable consequences.
- (3) The repair and replacement of this product under the express limited warranty described above is your exclusive remedy and is provided in lieu of all other warranties, express or implied. All other warranties, including implied warranties and warranties of merchantability or fitness for a particular purpose are disclaimed and, if disclaimer is prohibited, these warranties are limited to one year from your date of purchase of this product.

Some states' laws do not allow limited durations on certain implied warranties and some states' laws do not allow limitations on incidental or consequential damages. You should consult the law in your state to determine how your rights may vary.

[Affix receipt or invoice here for safe keeping]