

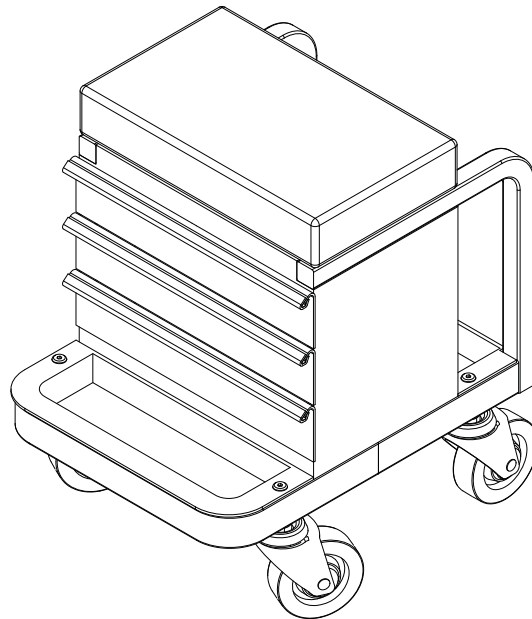


Heavy Duty Tool Box Creeper Seat

Operating Instructions & Parts Manual

Model Number
ATD-81047

Capacity
450 lbs



U.S. Patent # D 586,132
Other Patents Pending



This is the safety alert symbol. It is used to alert you to potential personal injury hazards. Obey all safety messages that follow this symbol to avoid possible injury or death.

⚠️ ADVERTENCIA

- Leer, comprender, y seguir las instrucciones antes de utilizar el aparato.
- El manual de instrucciones y la información de seguridad deben estar comunicados en lengua del operador antes del uso.
- No seguir estas indicaciones puede causar daños personales o materiales.

⚠️ WARNING

To avoid pinch and laceration injuries:

- **Keep hands away from** pinch and laceration hazards points that are created during use!
- **Be alert and sober** when using this product!
- Sit **centrally** on seat pad **ONLY**. **NEVER** sit on edge!

⚠️ WARNING ⚠️

WARNING: This product may contain chemicals, including lead, known to the State of California to cause cancer, birth defects or other reproductive harm. *Wash hands after handling.*

Made in China to ATD Tools, Inc. Specifications
Visit us at www.atdtools.com

ATD Tools, Inc.
160 Enterprise Drive, Wentzville, MO 63385

ATD81047_rev_0417
Printed in China

Save these instructions. For your safety, read, understand, and follow the information provided with and on this product before using. The owner and/or operator shall have an understanding of safe use / operating procedures before attempting to use. The owner and/or operator shall be aware that the use of this product may require special skills and knowledge. Instructions and safety information shall be conveyed in the operator's native language before use of this device is authorized. If any doubt exists as to the safe and proper use of this product as outlined in this factory authorized manual, remove from service immediately.

Inspect before each use. Do not use if broken, bent, cracked, or damaged parts (including labels) are noted. Any Tool Box Seat that appears damaged in any way, operates abnormally or is missing parts, shall be removed from service immediately and the manufacturer notified. If you suspect that this product was subjected to a shock load (a load dropped suddenly, unexpectedly upon it), immediately discontinue use until it has been checked by a factory authorized service center (contact distributor or manufacturer for list of Authorized Service Centers). It is recommended that an annual inspection be done by qualified personnel. Labels and owner's manuals are available from manufacturer (see Replacement Parts, page 4).

PRODUCT DESCRIPTION

This device is designed to support and transport, along a smooth and level surface, one person, tools, and equipment weighing ***450 lbs. or less** for the purpose of performing automotive maintenance or service. This device **is not** intended, designed or engineered to be used for any other purpose.

Rated Capacity: One (1) person weighing **450** lbs. or less- * includes person, tools, equipment, personal items



Do not use this device for any purpose other than that for which it is expressly intended.

SPECIFICATIONS

Model	Rated Capacity	Overall Toolbox Dimension Length, Width, Height	Tool Drawer Inner Dimension Length, Width, Height
ATD-81047	450 lbs	18-1/4" x 14-1/8" x 18-7/8"	12-3/4" x 7-5/8" x 2-3/8"

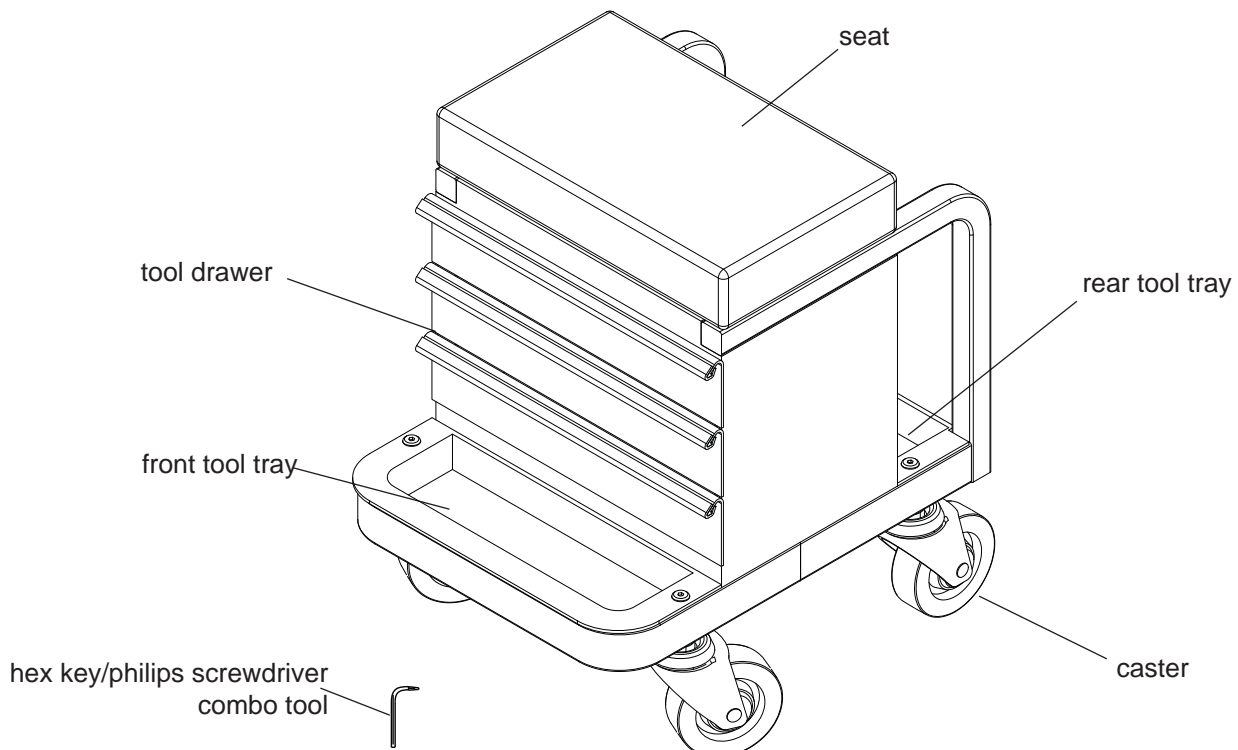


Figure 1 - Model ATD-81047 Nomenclature

⚠ WARNING

To avoid personal injury and property damage:

- **Read, understand, and follow** all printed materials provided with and on this product before use.
- **Do not** exceed rated capacity of **450 lbs.** Rated capacity consists of: **1** person, tools, equipment totaling **450 lbs.**
- Use on smooth, level, seamless surfaces only!
- Sit down gently! Avoid shock loads caused by jumping or falling onto seat.
- Do not stand on this product.
- Keep out of the reach of children! This device is not appropriate for children's use.

Before beginning assembly of product, make sure all parts are present. Compare parts with package contents list and Figure 2 illustration. If any part is missing or damaged, do not attempt to assemble, install or operate the product. Contact customer service 888-332-6419 for replacement parts.

Package Contents List

Item	Description	Qty
A	Tool Box Sub-Assembly	1
B	Caster Fasteners	4
C	Rear Tool Tray	1
D	Flat Washer	2
E	Swivel Caster	4
F	Front Frame Section	1
G	#2 Philips Screw	2
H	Front Tool Tray	1
J	Hexhead-Philips Screwdriver Tool	1

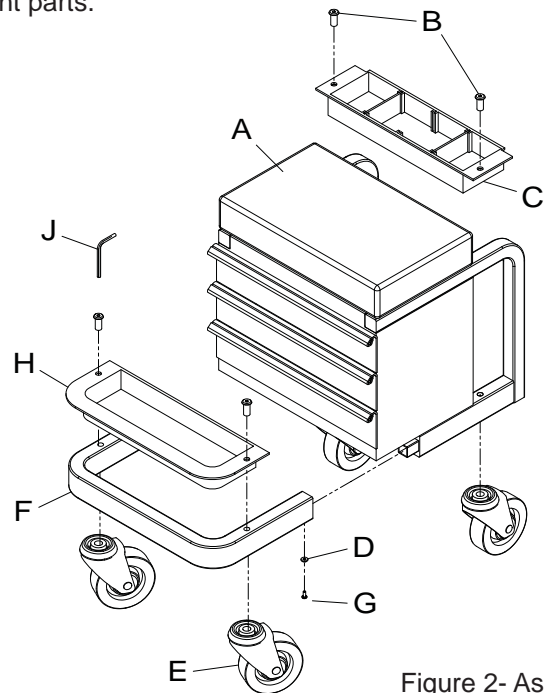


Figure 2- Assembly

ASSEMBLY INSTRUCTIONS (ref. Figure 2)

A Hex Key-Philips Screwdriver Combo Tool (J) is provided and should be the only tool needed to complete assembly.

1. Join frame sections by inserting front frame section (F) into channel sections of tool box subassembly (A). Line up screw holes and thread screws (G) fitted with washers (D) into corresponding holes in channel sections. Do not tighten screws yet.
2. Assemble a caster (E) and a tool tray (C or H) simultaneously. Position a caster stud into lower frame hole as seen in Figure 2. Place tool tray into position by aligning the lower frame thru-hole with corresponding hole in tool tray. Insert caster fastener into the swivel caster stud.
3. Repeat assembly above for remaining casters and tool tray. Once tool trays have been successfully installed, hand tighten all assemblies with provided Combo Tool.
4. Ensure casters swivel and roll easily. Check Tool Box drawers for ease of movement.

OPERATING INSTRUCTIONS (Refer to Fig. 1, 2)

Understand and follow all warning information.

1. Load tool drawers carefully. Pull drawer open to remove, push to close.
2. After using a tool, wipe clean and dry before returning it to the tool box.
3. The toolbox seat is NOT suitable for storing flammable, combustible, or corrosive materials.



Keep hands away from pinch and laceration hazards points that are created during use! Be alert and sober when using this product! Sit **centrally on seat pad ONLY. NEVER sit on edge!**

MAINTENANCE

Little maintenance is required of this device. Wipe clean as needed. Use mild upholstery cleaner (not caustic) to clean seat as needed.



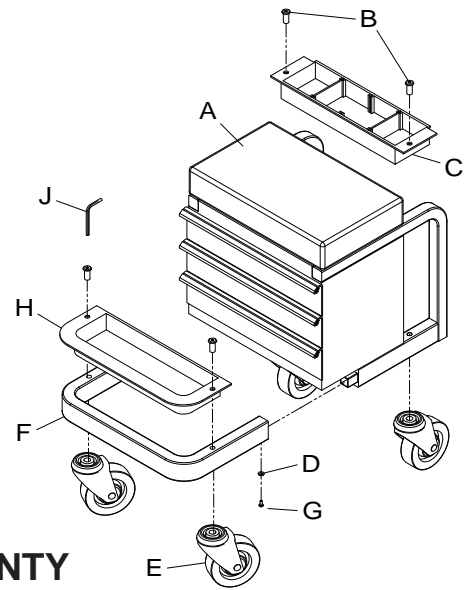
DO NOT lubricate casters!

REPLACEMENT PARTS

Available Parts: Please refer to the Parts drawing when ordering parts. Not all components of this kit are replacement items, but are illustrated as a convenient reference of location and position in the assembly sequence. When ordering parts, give Model number, serial number and description below. Call your distributor or point of sale for current pricing.

Replacement Parts List

Item	Description	Qty
92450-A-ATD	Seat Cushion	1
92450-B	Caster Fasteners	4
92450-C	Rear Tool Tray	1
92450-D	Flat Washer	2
92450-E	Swivel Caster	4
92450-G	#2 Philips Screw	2
92450-H	Front Tool Tray	1



ONE YEAR LIMITED WARRANTY

For a period of one (1) year from date of purchase, **ATD Tools, Inc.** will repair or replace, at its option, without charge, any of its products which fails due to a defect in material or workmanship, or which fails to conform to any implied warranty not excluded hereby.

Performance of any obligation under this warranty may be obtained by contacting your distributor or point of sale for further instructions. Please retain your proof of purchase, as it will be needed for any claim.

Except where such limitations and exclusions are specifically prohibited by applicable law, (1) the CONSUMER'S SOLE AND EXCLUSIVE REMEDY SHALL BE THE REPAIR OR REPLACEMENT OF DEFECTIVE PRODUCTS AS DESCRIBED ABOVE, and (2) **ATD Tools, Inc.** SHALL NOT BE LIABLE FOR ANY CONSEQUENTIAL OR INCIDENTAL DAMAGE OR LOSS WHATSOEVER, and (3) THE DURATION OF ANY AND ALL EXPRESSED AND IMPLIED WARRANTIES, INCLUDING WITHOUT LIMITATION, ANY WARRANTIES OF MERCHANTABILITY AND FITNESS FOR A PARTICULAR PURPOSE, IS LIMITED TO A PERIOD OF ONE (1) YEAR FROM DATE OF PURCHASE.

Some states do not allow limitations on how long an implied warranty lasts, so the above limitation may not apply to you. Some states do not allow the exclusion or limitation of incidental or consequential damages, so the above limitation or exclusion may not apply to you. This warranty gives you specific legal rights, and you may also have other rights which vary from state to state.



ATD Tools, Inc.
160 Enterprise Drive
Wentzville, MO 63385
www.atdtools.com