



ATD-81039 Creeper Seat Owner's Manual



WARNING: Before using this creeper seat, read the Owner's Manual and follow all of the safety rules and operating instructions.



WARNING



WARNING: This product may contain chemicals, including lead, known to the State of California to cause cancer, birth defects or other reproductive harm. *Wash hands after handling.*

Made in China to ATD Tools, Inc. Specifications
Visit us at www.atdtools.com

ASSEMBLY INSTRUCTIONS

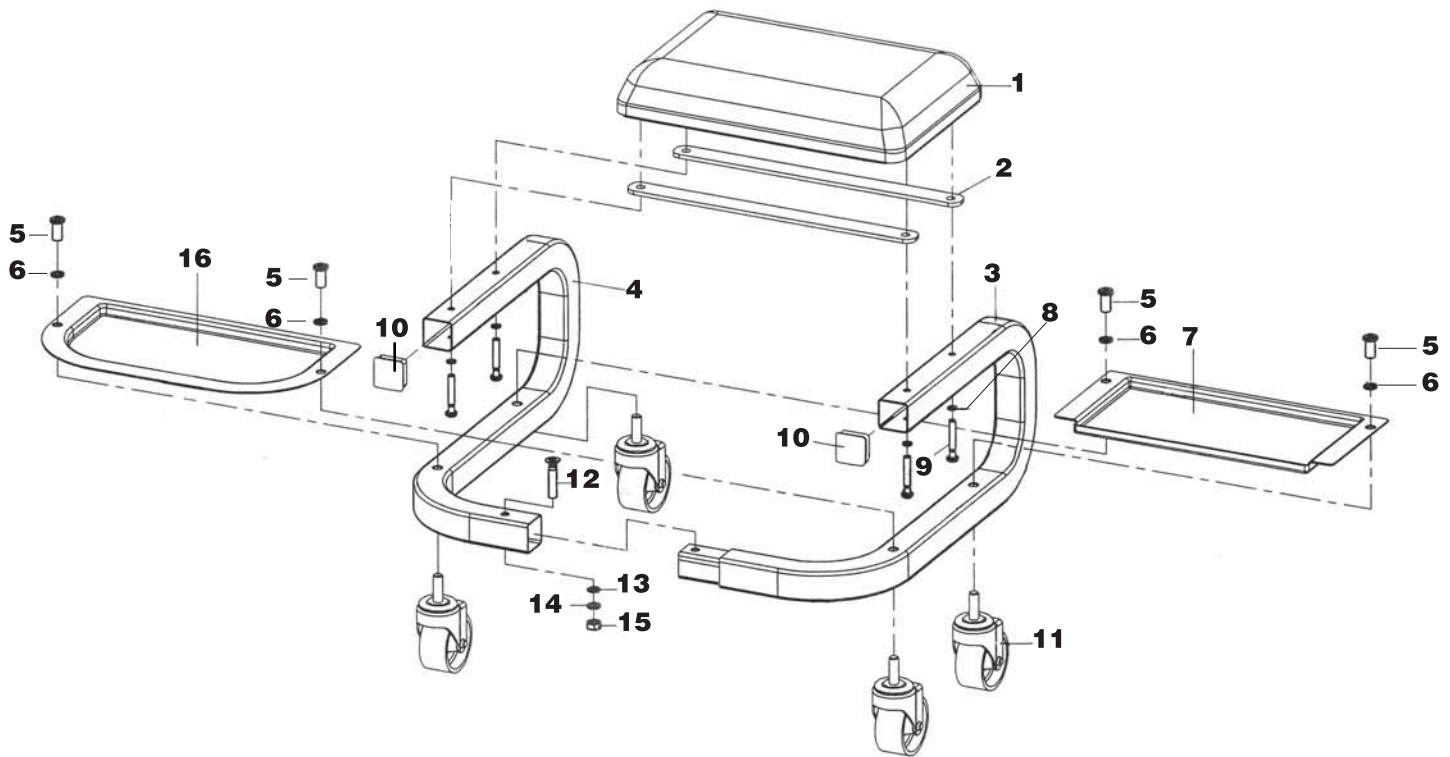
Tools required for assembly:

- 1) #2 Phillips Screwdriver (not included)
- 2) Hex Key (included)

1. Remove all parts from the package and ensure that all parts are present per the parts list.
2. Connect the right and left sections of the frame (3) and (4) using the 8mm bolt (12), washer (13), lock washer (14), and nut (15) as shown. Tighten this bolt and nut, as once the tool tray is added you will not have access to it anymore.
3. In the following steps, **DO NOT TIGHTEN THE FASTENERS** until the unit is fully assembled. This is to ensure that you will still be able to adjust sections of this seat as it is assembled.
4. Place the front and rear sections of the tool tray (7 and 16) on the lower section of the frame as shown.
5. Attach the casters (11) to the frame through the plastic tray with the shoulder nuts (5) and lock washers (6) as shown.
6. Place the connecting rods (2) and the seat cushion (1) over the mounting holes as shown and attach with mounting bolts (9) and washers (8).
7. Place the plastic caps (10) in the ends of the frame tubes as shown.
8. Once the creeper seat is assembled to your satisfaction, go back through and tighten all nuts and bolts before use.

CAUTION: Attempting to roll the seat on uneven flooring containing cracks, bumps, pits and/or other obstacles such as small rocks or pebbles while seated may cause the seat to tip. Use caution when moving the seat while seated.

WARNING: This seat is designed for seating purposes only. Do not use as a step stool. Injury may result.



ITEM#	ORDERING PART#	PART DESCRIPTION
1	PRT81039-01	CUSHION SEAT
2	PRT81039-02	CONNECTING ROD
3	PRT81039-03	FRAME RIGHT
4	PRT81039-04	FRAME LEFT
5	PRT81039-HK	SHOULDER NUT*
6	PRT81039-HK	LOCK WASHER*
7	PRT81039-07	TOOL TRAY, BACK
8	PRT81039-HK	WASHER*
9	PRT81039-HK	BOLT*

ITEM#	ORDERING PART#	PART DESCRIPTION
10	PRT81039-HK	PLASTIC CAP*
11	PRT81039-11	CASTER (each)
12	PRT81039-HK	BOLT*
13	PRT81039-HK	WASHER*
14	PRT81039-HK	LOCK WASHER*
15	PRT81039-HK	NUT*
16	PRT81039-16	TOOL TRAY, FRONT
17	PRT81039-HK	HEX KEY*

* - INCLUDED IN HARDWARE KIT