



## ATD-80475

### 500 Lumen COB LED Rechargeable Work Light Owner's Manual



#### FEATURES:

- COB LED produces 500 lumens of bright light
- (1) SMD LED top light provides an additional flashlight function – 50 lumens
- Constant current design provides consistent light output
- Removable swivel hooks with magnets allows hands free use
- Rubberized handle provides a non-slip grip
- Tough impact resistant ergonomic housing
- IP54 dust and water resistance
- Lithium-ion rechargeable battery for longer life and consistent power
- Automatic shut-off and overcharge protection for optimal battery life
- Includes versatile 3-in-1 charging system

#### SPECIFICATIONS:

- 500 lumens on high / 250 lumens on low
- 3.7V 2600mAh Li-ion battery
- 2.5 hour run time on high / 5 hours on low

#### OPERATING INSTRUCTIONS:

- To use, plug the unit into any 110-120V AC power source, 12V DC power source or 5V DC USB port. Let the unit fully charge until the 4 LED's light up on the front before use.
- Press the switch once for top LED, twice for front bulb low power, three times for front bulb high power and four times for off.
- Charge the light after each use if it is used often to ensure longevity. Charge light every month if it is not in constant use.

#### CAUTIONS:

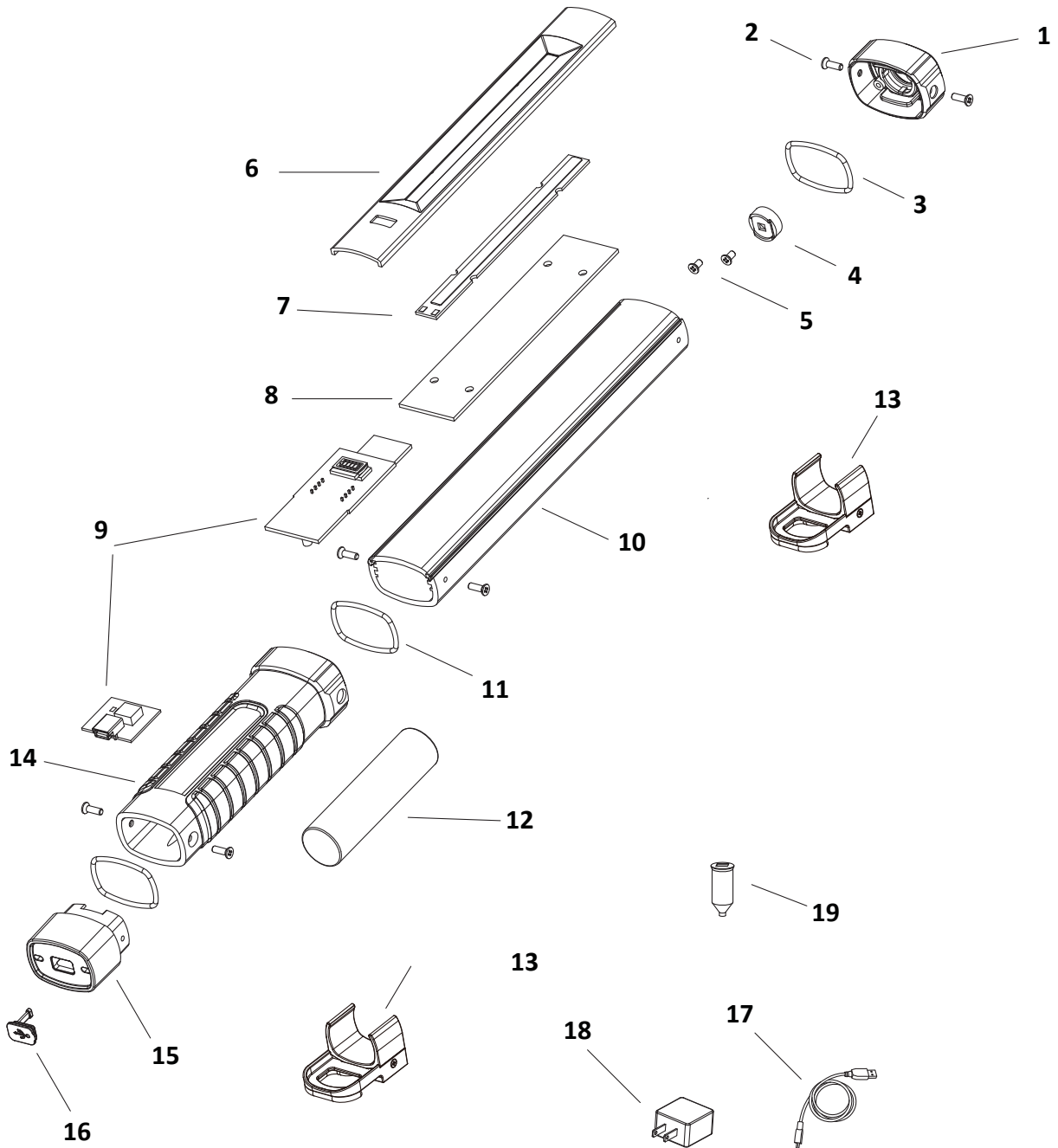
- Use only the recommended voltage and frequency requirements.
- Keep out of reach of children.
- Do not operate light with wet hands.
- Keep lamp away from hot objects.



**WARNING**



**WARNING:** This product contains chemicals, including lead, known to the State of California to cause cancer, birth defects or other reproductive harm. *Wash hands after handling.*



ITEM#	ORDERING PART#	PART DESCRIPTION
1	PRT80473-01	TOP FIXED BLOCK
2	PRT80473-02	SCREW A
3	PRT80473-03	O RING A
4	PRT80473-04	TOP LED COVER
5	PRT80473-05	SCREW B
6	PRT80475-06	REFLECTOR
7	PRT80475-07	COB LED
8	PRT80475-08	HEAT SINK
9	PRT80475-09	PCBA WITH TOP LED
10	PRT80475-10	PC TUBE/LENS

ITEM#	ORDERING PART#	PART DESCRIPTION
11	PRT80473-11	O RING B
12	PRT80475-12	LI-ION BATTERY
13	PRT80473-13	HOOK ASSEMBLY
14	PRT80473-14	HANDLE
15	PRT80473-15	BOTTOM FIXED BLOCK
16	PRT80473-16	USB COVER
17	PRT80304-27	USB CABLE
18	PRT80304-22	AC ADAPTOR
19	PRT80304-31	CAR ADAPTOR