



ATD-80448

500 LUMEN FOLDABLE THIN LIGHT

Owner's Manual



Features:

- 500 constant lumen COB LED delivers a wider and brighter lighting area
- Rotary switch provides variable brightness of 100-500 lumens
- Memory function records setting after 5 seconds, and that setting is recalled the next time device is activated
- Light wand folds 180° and pivots 180° to focus light on work area
- 100 lumen LED top light provides an additional flashlight function
- Battery indicator LEDs show battery level and charging progress
- Rotating hanging hook recesses into the magnetic base
- Automatic shut-off and overcharge protection for optimal battery life
- Low battery warning indicates charging will be required soon
- Includes USB-C charging cord and 5V AC wall adapter

Specifications:

- Length: 15.625" (8.6875" folded)
- Top SMD LED Lumens: 100
- Top SMD LED Runtime: 9 hours
- Main COB LED Lumens: 100 low/ 500 high
- Main COB LED Runtime: 12 hours low - 2 hours high
- 3.7V, 2600mAh lithium-ion rechargeable battery

Operating instructions

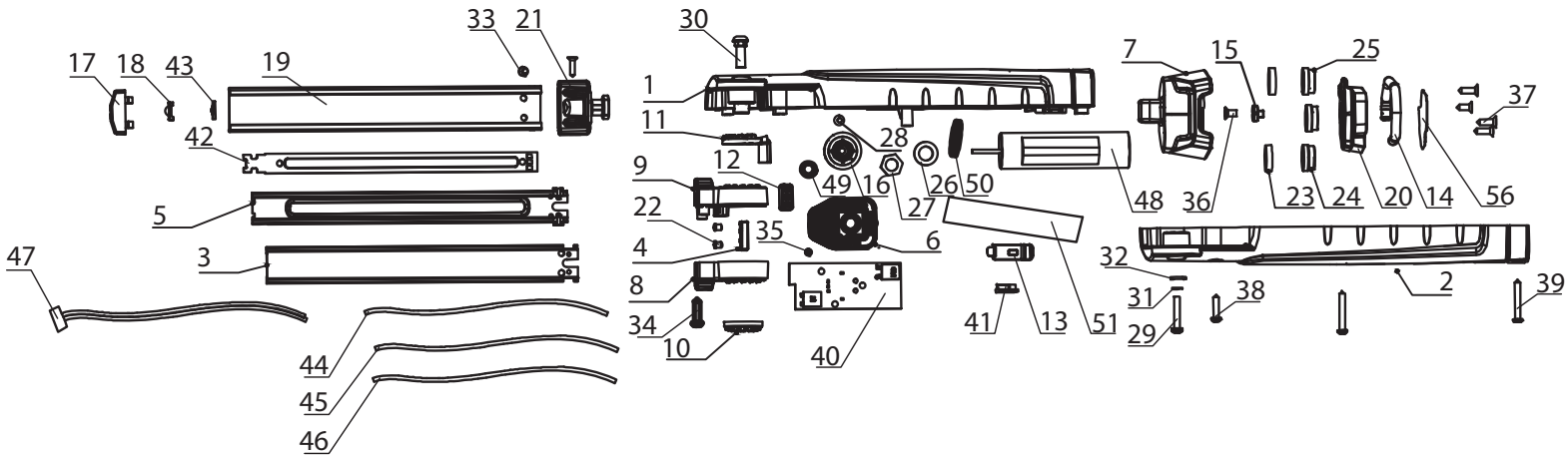
- To use, plug the unit into any 110-120V AC power source or 5V DC USB port. Let the unit fully charge until the 4 LEDs light up on the charging indicator before use.
- Press the rotary switch once for top bulb, twice for front LED, three times to turn off. Rotate the knob to set brightness (for use with the front LED only).
- Memory function - Setting is recorded after 5 seconds of activation and is recalled the next time device is activated.
- Low battery warning indicator - light will flash three times to indicate that the unit needs charging soon.
- Charge the light after each use if it is used often to ensure longevity. Charge light every month if it is not in constant use.

Cautions

- **DO NOT USE** in or around tubs, showers, sinks, pools, hot tubs, or in any wet environment.
- Use only the recommended voltage and frequency requirements.
- Keep out of reach of children.
- Do not operate light with wet hands.
- Keep lamp away from hot objects.

REPLACEMENT PARTS

Not all components of this product are replacement items, but are illustrated as a convenient reference for position in the assembly sequence. When ordering parts, give model number, part number and description. Call your distributor for current pricing:



ITEM#	ORDERING PART#	PART DESCRIPTION
1	PRT80448-01	FRONT HANDLE
2	PRT80448-02	BACK HANDLE
3	PRT80448-03	LENS
4	PRT80448-04	SPRING HOLDER
5	PRT80448-05	PLASTIC BOARD
6	PRT80448-06	DECORATING COVER
7	PRT80448-07	BOTTOM
8	PRT80448-08	LEFT SPINDLE
9	PRT80448-09	RIGHT SPINDLE
10	PRT80448-10	LEFT SPINDLE DAMPING BLOCK
11	PRT80448-11	RIGHT SPINDLE DAMPING BLOCK
12	PRT80448-12	DARKENING RING
13	PRT80448-13	CHARGING CAP
14	PRT80448-14	HOOK
15	PRT80448-15	HOOK PLATE
16	PRT80448-16	DIMMER SWITCH
17	PRT80448-17	TOP COVER
18	PRT80448-18	TORCH LENS
19	PRT80448-19	WL3006 BODY
20	PRT80448-20	HANDLE BOTTOM PLATE
21	PRT80448-21	ROTOR
22	PRT80448-22	SPRING
23	PRT80448-23	METAL
24	PRT80448-24	HANDLE MAGNET
25	PRT80448-25	HANDLE MAGNET
26	PRT80448-26	STEEL SHIM

ITEM#	ORDERING PART#	PART DESCRIPTION
27	PRT80448-27	NUT
28	PRT80448-28	SCREW
29	PRT80448-29	SCREW
30	PRT80448-30	SCREW
31	PRT80448-31	SPRING WASHER
32	PRT80448-32	STEEL SHIM
33	PRT80448-33	SCREW
34	PRT80448-34	SCREW
35	PRT80448-35	CROSS SCREW
36	PRT80448-36	CROSS SCREW
37	PRT80448-37	SCREW
38	PRT80448-38	SCREW
39	PRT80448-39	SCREW
40	PRT80448-40	PCB
41	PRT80448-41	PCBA
42	PRT80448-42	COB
43	PRT80448-43	TORCH PCBA
44	PRT80448-44	WIRE
45	PRT80448-45	WIRE
46	PRT80448-46	WIRE
47	PRT80448-47	WIRE
48	PRT80448-48	BATTERY
49	PRT80448-49	O-RING
50	PRT80448-50	EVA
51	PRT80448-51	EVA
56	PRT80448-56	MAGNET STICKER



THIS WARRANTY AND CONFIRMED RECEIPT(S) SHOULD BE RETAINED BY THE CUSTOMER AT ALL TIMES

PURCHASED FROM: _____

DATE PURCHASED: _____

INVOICE/RECEIPT NUMBER: _____

Your ATD-80448 is warranted for a period of 12 months from the original purchase date.

For a period of one (1) year from your purchase date, ATD Tools, Inc. will repair or replace (at its option) without charge, your ATD product if it was purchased new and the product has failed due to a defect in material or workmanship which you experienced during normal use of the product. This limited warranty is your exclusive remedy.

To access the benefits of this warranty, contact your supplier, or point of sale directly. You may be advised to return the product under warranty, freight prepaid, to your supplier for warranty determination.

If this ATD product is altered, abused, misused, modified, or undergoes service by an unauthorized technician, your warranty will be void. We are not responsible for damage to ornamental designs you place on this ATD product and such ornamentation should not cover any warnings or instructions or they may void the warranty. This warranty does not cover scratches, superficial dents, and other abrasions to the paint finish that occur under normal use. It also does not cover normal wear items such as but not limited to brushes, batteries, drill bits, drill chucks, pads or blades.

Subject to the law in your state:

- (1) Your sole and exclusive remedy is repair or replacement of the defective product as described above.
- (2) ATD is not liable for any incidental damages, including but not limited to, lost profits and unforeseeable consequences.
- (3) The repair and replacement of this product under the express limited warranty described above is your exclusive remedy and is provided in lieu of all other warranties, express or implied. All other warranties, including implied warranties and warranties of merchantability or fitness for a particular purpose are disclaimed and, if disclaimer is prohibited, these warranties are limited to one year from your date of purchase of this product.

Some states' laws do not allow limited durations on certain implied warranties and some states' laws do not allow limitations on incidental or consequential damages. You should consult the law in your state to determine how your rights may vary.

[Affix receipt or invoice here for safe keeping]