



ATD-80444
2,000 LUMEN LED RECHARGEABLE UNDERHOOD LIGHT
Owner's Manual



Features:

- 2,000 constant lumen LEDs deliver wider and brighter lighting areas
- (3) brightness settings: High-2000 lumens / Medium-1000 lumens / Low-500 lumens
- Memory function records setting after 5 seconds, and that setting is recalled the next time device is activated
- 360 degree rotating aluminum bar extends 46" to 77.5" for universal attachment
- Battery indicator LEDs shows battery level and charging progress
- Automatic shut-off and overcharge protection for optimal battery life
- Low battery warning indicates charging will be required soon
- Includes (2) removable 4800mAh lithium-ion rechargeable batteries for extended runtimes
- Includes USB-C charging cord and 5V AC wall adapter

Specifications:

- Lumens: 500 low/1,000 medium/2,000 high
- Runtimes: 4 hours low/2 hours medium/1 hour high
- (2) 3.6V, 4800mAh lithium-ion rechargeable batteries

Assembly/Operating Instructions

- Secure the hood hooks to the ends of your SABER Underhood Light with the screws and wrench provided, as shown in figure 1.
- Fully charge your batteries before using this light. To charge, plug the unit into any 110-120V AC power source or 5V DC USB port. Let the unit fully charge until the 3 LED's light up solid on the charging indicator before use. The ATD-80445 21700 / 3.6V / 4800 mAh battery can also be charged by plugging the USB-C cord directly into the battery. The tip of the battery will light up red while charging and green when fully charged as shown in figure 2.
- Place one battery in the handle of the light as shown in figure 3. Be sure to secure the spring loaded battery cover with the thumb latch.
- Press the switch once for low power, twice for medium power three times for high power and four times to turn off.
- Memory function - Setting is recorded after 5 seconds of activation and is recalled the next time device is activated.
- Low battery warning indicator - light will flash three times to indicate that the unit needs charging soon.
- Charge the battery after each use if it is used often to ensure longevity. Charge the battery every month if it is not in constant use.

Cautions

- **DO NOT USE** in or around tubs, showers, sinks, pools, hot tubs, or in any wet environment.
- Use only the recommended voltage and frequency requirements.
- Keep out of reach of children.
- Do not operate light with wet hands.
- Keep lamp away from hot objects.



Figure 1

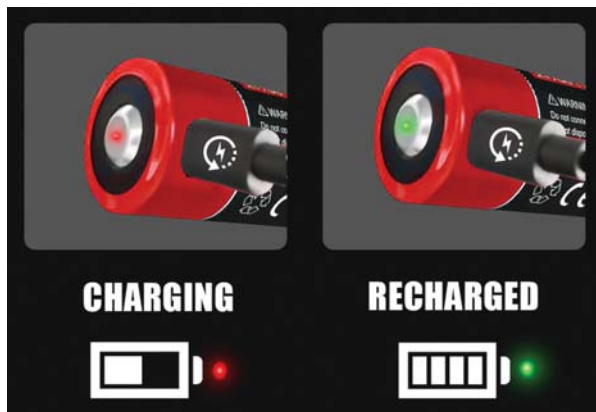


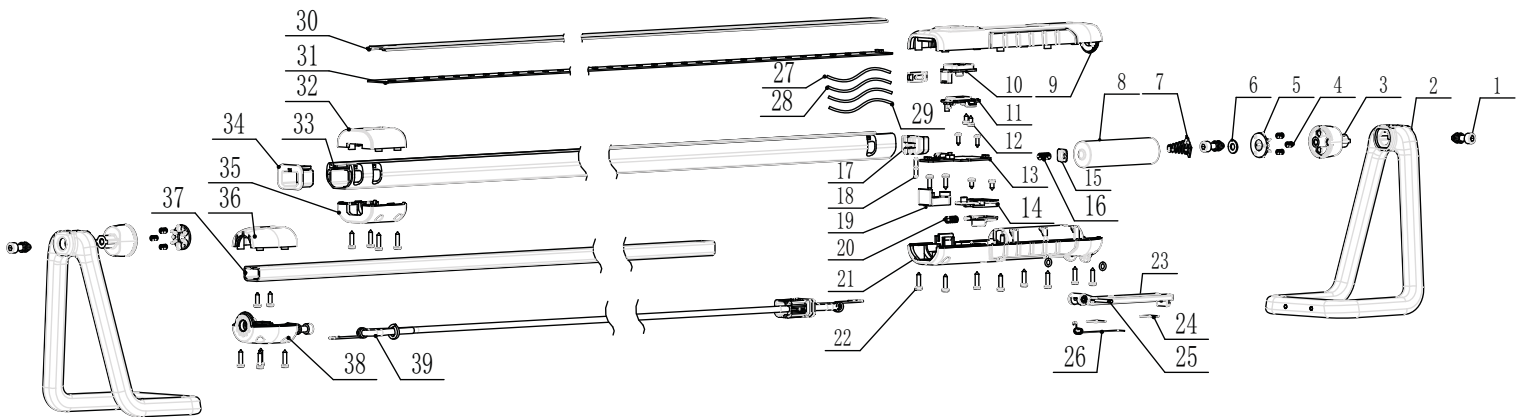
Figure 2



Figure 3

REPLACEMENT PARTS

Not all components of this product are replacement items, but are illustrated as a convenient reference for position in the assembly sequence. When ordering parts, give model number, part number and description. Call your distributor for current pricing:



ITEM#	ORDERING PART#	PART DESCRIPTION
1	PRT80444-01	SCREW
2	PRT80444-02	PJ1040 HOLDER
3	PRT80444-03	HOLDER CLAMPS
4	PRT80444-04	SWITCH SPRING
5	PRT80444-05	TURRET
6	PRT80444-06	SHIM
7	PRT80444-07	SPRING PLATE PARTS
8	ATD80445	BATTERY
9	PRT80444-09	FRONT HANDLE COVER
10	PRT80444-10	SWITCH CAP
11	PRT80444-11	SWITCH CAP PLATE
12	PRT80444-12	SCREW
13	PRT80444-13	PCBA
14	PRT80444-14	PUSH PRESSING PLATE
15	PRT80444-15	BATTERY POSITIVE PLATE
16	PRT80444-16	SPRING
17	PRT80444-17	LARGE PIPE SEALING RING
18	PRT80444-18	BUNGEE PIN
19	PRT80444-19	ALUMINIUM TUBE PLATE
20	PRT80444-20	SPRING

ITEM#	ORDERING PART#	PART DESCRIPTION
21	PRT80444-21	BACK HANDLE COVER
22	PRT80444-22	SCREW
23	PRT80444-23	BATTERY COVER PLATE
24	PRT80444-24	SILICONE BATTERY PAD
25	PRT80444-25	BATTERY COVER FIXING PIN
26	PRT80444-26	BATTERY COVER TORSION SPRING
27	PRT80444-27	WIRE
28	PRT80444-28	WIRE
29	PRT80444-29	WIRE
30	PRT80444-30	LENS
31	PRT80444-31	PCBA
32	PRT80444-32	ALUMINIUM TUBE FIXED FRONT COVER
33	PRT80444-33	LARGE ALUMINIUM TUBE
34	PRT80444-34	LARGE PIPE HOLDER
35	PRT80444-35	ALUMINIUM TUBE FIXED BACK COVER
36	PRT80444-36	SMALL HANDLE FRONT COVER
37	PRT80444-37	SMALL ALUMINIUM TUBE
38	PRT80444-38	SMALL HANDLE BACK COVER
39	PRT80444-39	ELASTIC ROPE



THIS WARRANTY AND CONFIRMED RECEIPT(S) SHOULD BE RETAINED BY THE CUSTOMER AT ALL TIMES

PURCHASED FROM: _____

DATE PURCHASED: _____

INVOICE/RECEIPT NUMBER: _____

Your ATD-80444 is warranted for a period of 12 months from the original purchase date.

For a period of one (1) year from your purchase date, ATD Tools, Inc. will repair or replace (at its option) without charge, your ATD product if it was purchased new and the product has failed due to a defect in material or workmanship which you experienced during normal use of the product. This limited warranty is your exclusive remedy.

To access the benefits of this warranty, contact your supplier, or point of sale directly. You may be advised to return the product under warranty, freight prepaid, to your supplier for warranty determination.

If this ATD product is altered, abused, misused, modified, or undergoes service by an unauthorized technician, your warranty will be void. We are not responsible for damage to ornamental designs you place on this ATD product and such ornamentation should not cover any warnings or instructions or they may void the warranty. This warranty does not cover scratches, superficial dents, and other abrasions to the paint finish that occur under normal use. It also does not cover normal wear items such as but not limited to brushes, batteries, drill bits, drill chucks, pads or blades.

Subject to the law in your state:

- (1) Your sole and exclusive remedy is repair or replacement of the defective product as described above.
- (2) ATD is not liable for any incidental damages, including but not limited to, lost profits and unforeseeable consequences.
- (3) The repair and replacement of this product under the express limited warranty described above is your exclusive remedy and is provided in lieu of all other warranties, express or implied. All other warranties, including implied warranties and warranties of merchantability or fitness for a particular purpose are disclaimed and, if disclaimer is prohibited, these warranties are limited to one year from your date of purchase of this product.

Some states' laws do not allow limited durations on certain implied warranties and some states' laws do not allow limitations on incidental or consequential damages. You should consult the law in your state to determine how your rights may vary.

[Affix receipt or invoice here for safe keeping]