

SABER[®]

Classic Series

ATD-80398

500 Lumen Rechargeable Tube Light

Owner's Manual



Features:

- Super-bright, long lasting SMD LED bulbs
- 500 constant lumen design delivers rated light output throughout battery charge cycle
- Rubberized, impact-resistant ergonomic handle provides a non-slip grip
- Battery indicator shows charging progress
- Swivel hooks with magnets allow hands-free use
- Automatic shut-off and overcharge protection for optimal battery life
- IK07 rated for mechanical impact protection
- Includes USB Type-C charging cord

Specifications:

- Length: 16.125"
- SMD LED Lumens: 500
- SMD LED Runtime: 3.5 hours continuous
- Battery: 3.7V, 4400mAh lithium-ion rechargeable battery

Operating Instructions

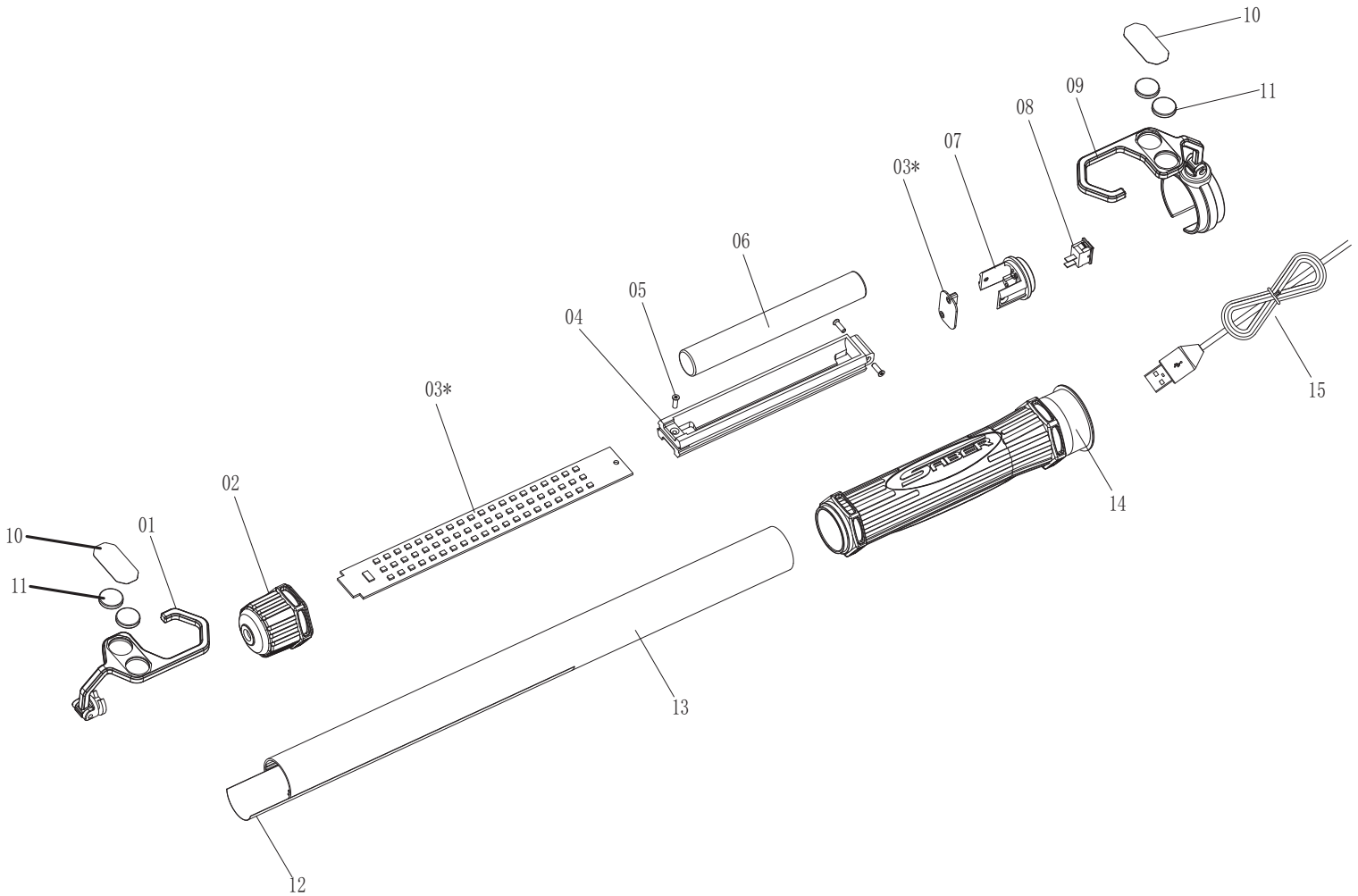
- Charge with the included USB Type-C cable: Plug the unit into any 110-120V AC power source or 5V DC USB port. Let the unit fully charge until the indicator at the top of the light turns green.
- Press the switch at the bottom of the handle (-) to turn the unit on, press the switch (O) again to turn it off.
- Charge the light after each use if it is used often, to ensure longevity. Charge every month if it is not in constant use.

Cautions

- For indoor use only - **DO NOT** use in or around tubs, showers, sinks, pools, hot tubs or in any wet environment.
- Use only the recommended voltage and frequency requirements.
- **DO NOT** operate light with wet hands.
- Keep light away from hot objects.
- **DO NOT** leave light in direct sunlight for prolonged lengths of time.

REPLACEMENT PARTS

Not all components of this product are replacement items, but are illustrated as a convenient reference for position in the assembly sequence. When ordering parts, give model number, part number and description. Call your distributor for current pricing:



ITEM#	ORDERING PART#	PART DESCRIPTION
1	PRT80398-01	TOP HOOK ASSEMBLY
2	PRT80330-04	TOP CAP
3	PRT80398-03	PCBA ASSEMBLY
4	PRT80330-10	BATTERY COVER
5	PRT80398-05	SCREW
6	PRT80398-06	BATTERY
7	PRT80398-07	SWITCH CONNECTOR
8	PRT80398-08	ON/OFF SWITCH

ITEM#	ORDERING PART#	PART DESCRIPTION
9	PRT80398-09	END HOOK ASSEMBLY
10	PRT80360A-13	MAGNET LABEL
11	PRT80360A-12	MAGNET
12	PRT80398-12	SLEEVE LABEL
13	PRT80398-13	PC TUBE
14	PRT80398-14	HANDLE
15	PRT80020-14	TYPE C CHARGING CABLE



THIS WARRANTY AND CONFIRMED RECEIPT(S) SHOULD BE RETAINED BY THE CUSTOMER AT ALL TIMES

PURCHASED FROM: _____

DATE PURCHASED: _____

INVOICE/RECEIPT NUMBER: _____

Your ATD-80398 is warranted for a period of 12 months from the original purchase date.

For a period of one (1) year from your purchase date, ATD Tools, Inc. will repair or replace (at its option) without charge, your ATD product if it was purchased new and the product has failed due to a defect in material or workmanship which you experienced during normal use of the product. This limited warranty is your exclusive remedy.

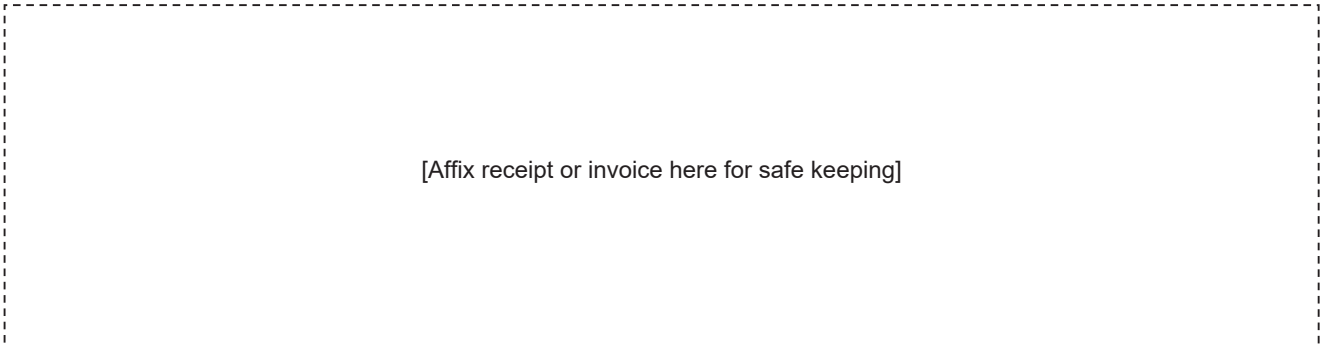
To access the benefits of this warranty, contact your supplier, or point of sale directly. You may be advised to return the product under warranty, freight prepaid, to your supplier for warranty determination.

If this ATD product is altered, abused, misused, modified, or undergoes service by an unauthorized technician, your warranty will be void. We are not responsible for damage to ornamental designs you place on this ATD product and such ornamentation should not cover any warnings or instructions or they may void the warranty. This warranty does not cover scratches, superficial dents, and other abrasions to the paint finish that occur under normal use. It also does not cover normal wear items such as but not limited to brushes, batteries, drill bits, drill chucks, pads or blades.

Subject to the law in your state:

- (1) Your sole and exclusive remedy is repair or replacement of the defective product as described above.
- (2) ATD is not liable for any incidental damages, including but not limited to, lost profits and unforeseeable consequences.
- (3) The repair and replacement of this product under the express limited warranty described above is your exclusive remedy and is provided in lieu of all other warranties, express or implied. All other warranties, including implied warranties and warranties of merchantability or fitness for a particular purpose are disclaimed and, if disclaimer is prohibited, these warranties are limited to one year from your date of purchase of this product.

Some states' laws do not allow limited durations on certain implied warranties and some states' laws do not allow limitations on incidental or consequential damages. You should consult the law in your state to determine how your rights may vary.



[Affix receipt or invoice here for safe keeping]