



ATD-80395A

800 LUMEN RECHARGEABLE WORK LIGHT WITH TOP LIGHT Owner's Manual



FEATURES:

- 7-Watt COB LED with (2) brightness settings
- 3-Watt SMD LED top light offers an additional flashlight function
- Automatic shut-off and overcharge protection for optimal battery life
- LCD battery power level indicator
- Light head pivots 120 degrees to direct light to work area
- Lithium-ion rechargeable battery for longer life and consistent power
- Dual 360 degree rotating hanging hooks recess into base (top and bottom)
- Tough, impact resistant ergonomic housing with aluminum back shell for heat dissipation
- Includes mini USB cable and AC power adapter
- Magnetic base for positioning on steel surfaces

SPECIFICATIONS:

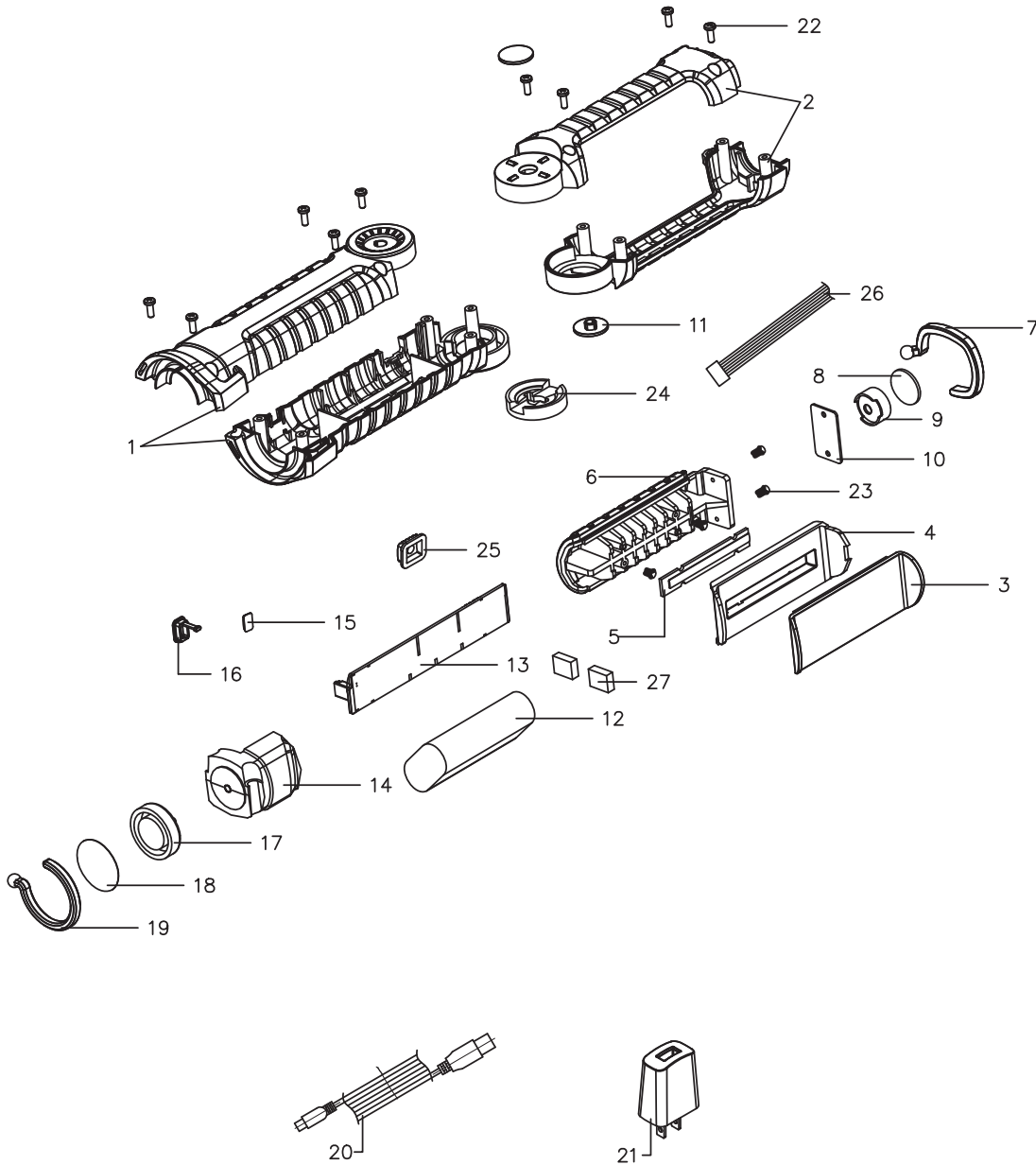
- Main Bulb Brightness: 800 lumens (high), 400 lumens (low)
- Top Bulb Brightness: 160 lumens
- Battery: 3.7V 5200mAh lithium-ion rechargeable
- Run Time: 2.5-hours (high), 5-hours (low)
- Length: 11.7"

Operating Instructions

- To use, plug the unit into any 110-120V AC power source. Let the unit fully charge until the 4 LEDs light up on the charging indicator before use.
- Press the switch once for top LED, twice for low LED power, three times for high LED power and four times for off.
- Charge the light after each use if it is used often to ensure longevity. Charge light every month if it is not in constant use.

Cautions

- **DO NOT USE** in or around tubs, showers, sinks, pools, hot tubs, or in any wet environment.
- Use only the recommended voltage and frequency requirements.
- Keep out of reach of children.
- Do not operate light with wet hands.
- Keep lamp away from hot objects.



ITEM#	ORDERING PART#	PART DESCRIPTION
1	PRT80395-01	HANDLE SET ASSEMBLY
2	PRT80395-02	LAMP HOLDER ASSEMBLY
3	PRT80395-03	LIGHT COVER
4	PRT80395-04	REFLECTOR
5	PRT80395A-01	LED
6	PRT80395-06	LAMP HOLDER B
7	PRT80395-07	TOP HOOK
8	PRT80304-10	LENS
9	PRT80395-09	LED COVER
10	PRT80395-10	TOP PCB BOARD
11	PRT80395-11	LOGO
12	PRT80395A-02	LI-ION BATTERY
13	PRT80395A-03	PCB BOARD
14	PRT80395-14	COUNTER WEIGHT

ITEM#	ORDERING PART#	PART DESCRIPTION
15	PRT80395-15	BOTTOM COVER
16	PRT80395-16	USB COVER
17	PRT80395-17	MAGNET
18	PRT80395-18	MAGNET LABEL
19	PRT80395-19	BASE HOOK
20	PRT80304-27	USB CABLE
21	PRT80395A-04	AC ADAPTER
22	PRT80395-23	SCREW A
23	PRT80395-24	SCREW B
24	PRT80395-25	GEAR TOOTH
25	PRT80395-26	BUTTON
26	PRT80395-27	CONNECTOR
27	PRT80395-28	FOAM PAD