



ATD-80369A Folding Mini LED Thin Light Owner's Manual



FEATURES:

- Ultra-thin design pivots to allow inspection in the tightest work areas and folds flat for easy storage.
- COB LED bulb delivers a wider and brighter lighting area
- SMD LED top light offers an additional 30 lumen flashlight function
- Light wand folds +180° and -180° for easy handling and storage
- Constant current design delivers rated light output throughout battery charge cycle
- Rotating hanging hook recesses into bottom magnetic base
- Integrated belt hook for quick storage and portability
- Tough, impact resistant ergonomic housing
- Automatic shut-off and overcharging protection for optimal battery life
- 3-in-1 charging system compatible with included mini USB cable

SPECIFICATIONS:

- Main Bulb Brightness: 150 lumens (high), 75 lumens (low)
- Top Light Brightness: 30 lumens
- Battery: 3.7V, 1200mAh lithium-ion rechargeable
- Run Time: 3 hours (high), 6 hours (low)
- Length: 8.3" (4.3" folded)

OPERATING INSTRUCTIONS:

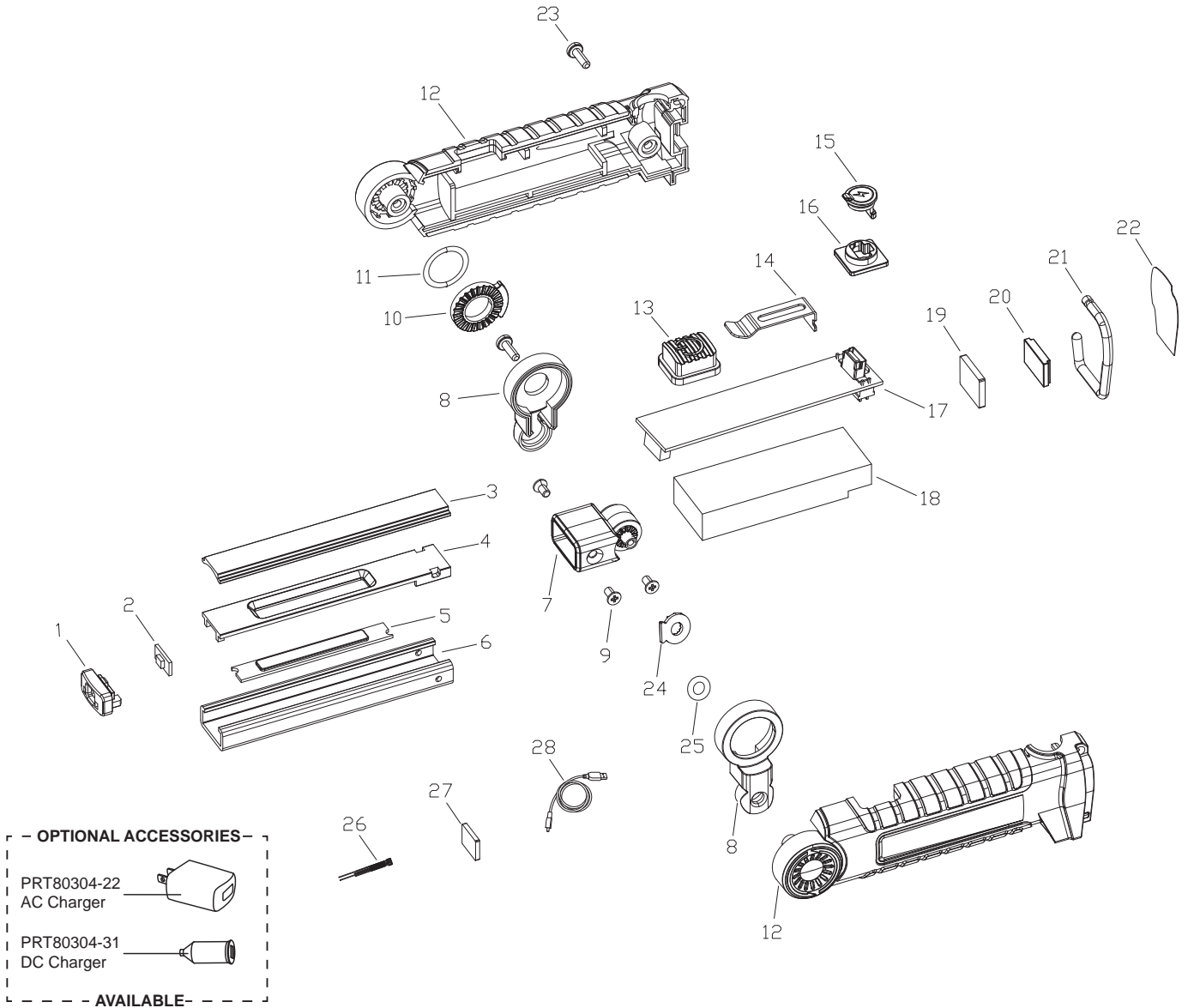
- Before use, plug the unit into any 5V DC USB port and let the unit fully charge until the green indicator inside the Mini USB socket turns on.
- Optional 110V AC charging adapters and 12V DC charging adapters are available separately.
- To turn on and off, use the switch on the handle of the light. Top, Low, High, Off.
- Charge this light every month if not in constant use, and after each use if used often, to ensure longevity.

Cautions:

- **DO NOT** use in or around tubs, showers, sinks, pools, hot tubs or in a wet environment.
- **DO NOT** operate with wet hands
- Use only the recommended voltage and frequency requirements.
- Keep out of reach of children.
- Keep light away from hot objects.
- **DO NOT** leave light in direct sunlight for prolonged lengths of time.

SABER®

ATD-80369A



ITEM#	ORDERING PART#	PART DESCRIPTION
1	PRT80369A-01	TOP COVER
2	PRT80369A-02	TOP LIGHT PCBA
3	PRT80369A-03	PC COVER
4	PRT80369A-04	REFLECTOR
5	PRT80369A-05	LED
6	PRT80369A-06	LIGHT BASE
7	PRT80369A-07	CONNECTOR
8	PRT80369A-08	FIXED BLOCK ASSEMBLY
9	PRT80369A-09	SCREW 2.5x5
10	PRT80369A-10	HANDLE GEAR TOOTH
11	PRT80369A-11	O-RING 11.8
12	PRT80369A-12	HANDLE ASSEMBLY
13	PRT80369A-13	SWITCH BUTTON
14	PRT80369A-14	CLIP

ITEM#	ORDERING PART#	PART DESCRIPTION
15	PRT80369A-15	MINI USB COVER
16	PRT80369A-16	CHARGING INDICATOR
17	PRT80369A-17	PCBA
18	PRT80369A-18	LI-ION BATTERY
19	PRT80369A-19	METAL PLATE
20	PRT80369A-20	MAGNET
21	PRT80369A-21	HOOK
22	PRT80369A-22	MAGNET LABEL
23	PRT80369A-23	SCREW 2.5x10
24	PRT80369A-24	GEAR TOOTH
25	PRT80369A-25	O-RING 4
26	PRT80369A-26	CONNECTING WIRE
27	PRT80304-27	FOAM
28	PRT80304-22	USB CORD

*	PRT80304-22	AC ADAPTER (OPTIONAL)
*	PRT80304-31	DC ADAPTER (OPTIONAL)