



ATD-80365 2,000 Lumen Corded / Cordless LED Underhood Light with 25' Removable Cord and Human Body Sensor Owner's Manual



Features:

- Performance of a corded light with the convenience of a rechargeable light
- Human body sensor (HBS), is a 360° microwave radar sensor that automatically activates the light when a human body is within 13' to 26' and turns off when out of range. Saves battery power and lifecycle
- 40" light bar provides 2000 lumens of bright light for maximum area illumination
- Hooks extend 55" to 83" to fit new SUVs and light trucks
- Large foam covered hooks for easy attachment and increased stability
- (2) brightness modes: High - 2000 lumens / Low - 1000 lumens
- 25' 18/2 SJTOW quick-release power cord remains flexible in cold weather and is oil and grease resistant
- Push-button LED battery level indicator


Specifications:

- UL/cUL listed 8.4V, 2.2A charger and 25' 18/2 SJTOW cord
- Battery: 7.4V, 5200mAh Li-Ion battery
- Run Time: Up to 2-hours (High), up to 4-hours (Low)





Note: The warnings and cautions discussed in this instruction manual cannot cover all possible conditions and situations that may occur. It must be understood by the operator that common sense and caution are factors which cannot be built into this product, but must be supplied by the operator.


Safety Warnings:


 **WARNING:** Read all safety warnings and instructions. Failure to follow all warnings and instructions may result in electric shock, fire and/or serious injury or death.


 **WARNING:** Use only the recommended voltage and frequency requirements.

 **WARNING:** To reduce the risk of electric shock, **DO NOT** use in damp conditions, on wet surfaces, or expose to rain. Do not plug in this light or operate it with wet hands or while standing in water.

 **WARNING:** Never use the cord for carrying, pulling or unplugging the light. Grasp plug and pull to disconnect from outlet. Keep cord away from heat, oil, sharp edges or moving parts. Replace damaged cords immediately.

 **WARNING:** Always remove the power cord from the electric outlet when making adjustments, changing parts, cleaning or working on the light.

 **WARNING:** Care should be taken to arrange the cord so it will not be stepped on, tripped over, or otherwise subjected to damage or stress.

 **WARNING:** Never attempt to plug in or operate equipment with defective or damaged wires, power cord or power cord plug. Have any defective or damaged parts replaced immediately by qualified personnel.

 **WARNING:** Keep light away from hot objects, and **DO NOT** use if the cords or opaque tubes are damaged

Operating Instructions:

AC operating instructions:

- To use, plug the unit into any 110-120V AC power source, such as a wall receptacle.

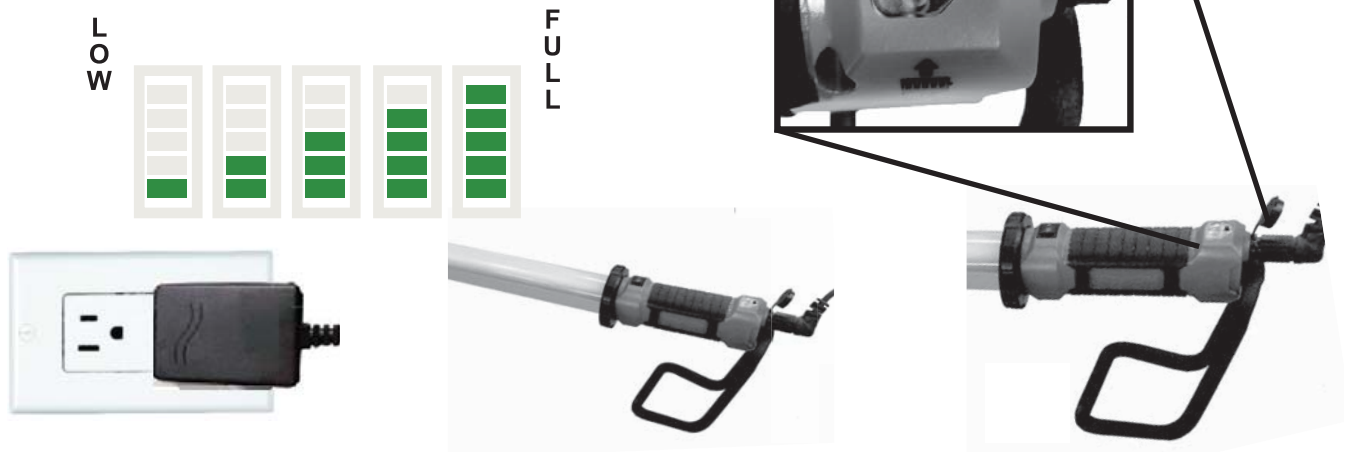
DC operating instructions

- To use, plug the unit into any 110-120V AC power source, such as a wall receptacle. Let the unit fully charge until the green indicator on the charger turns on before use.
- Charge this light every month if not in constant use, and after each use, if it is used often to ensure longevity.
- Press “I” : 1,000 Lumens
Press “II” : 2,000 Lumens
OFF: “O”

HBS Operating Instructions:

- To activate the HBS function, turn on the light, press and hold the battery indicator switch until the battery indication light blinks, meaning the HBS function is active. Press the switch of battery indicator again to turn off the HBS function.
- Turn off the light and the HBS function will also be off (Even if you didn't turn off the HBS when the light is on.)
- 360 degree microwave radar sensor; the light only lights up when a human body is in sensing range
- The sensing range is 13' - 26'. The light will turn off about 20-30 seconds after the human body leaves sensing range.

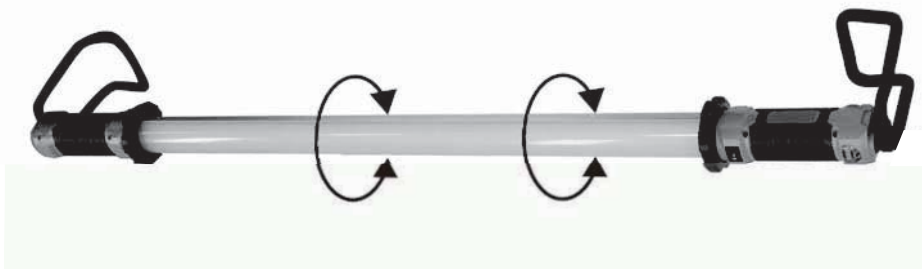
Battery charge indicator shows the state of charge left in the battery with a touch of the button. While pressing, five bars illuminated indicates a full charge, where only one bar lit will indicate a low charge.



- The hooks can be adjusted by simply pulling them out and affixing them to whatever surface you like, such as a car hood. (Up to 83" wide)

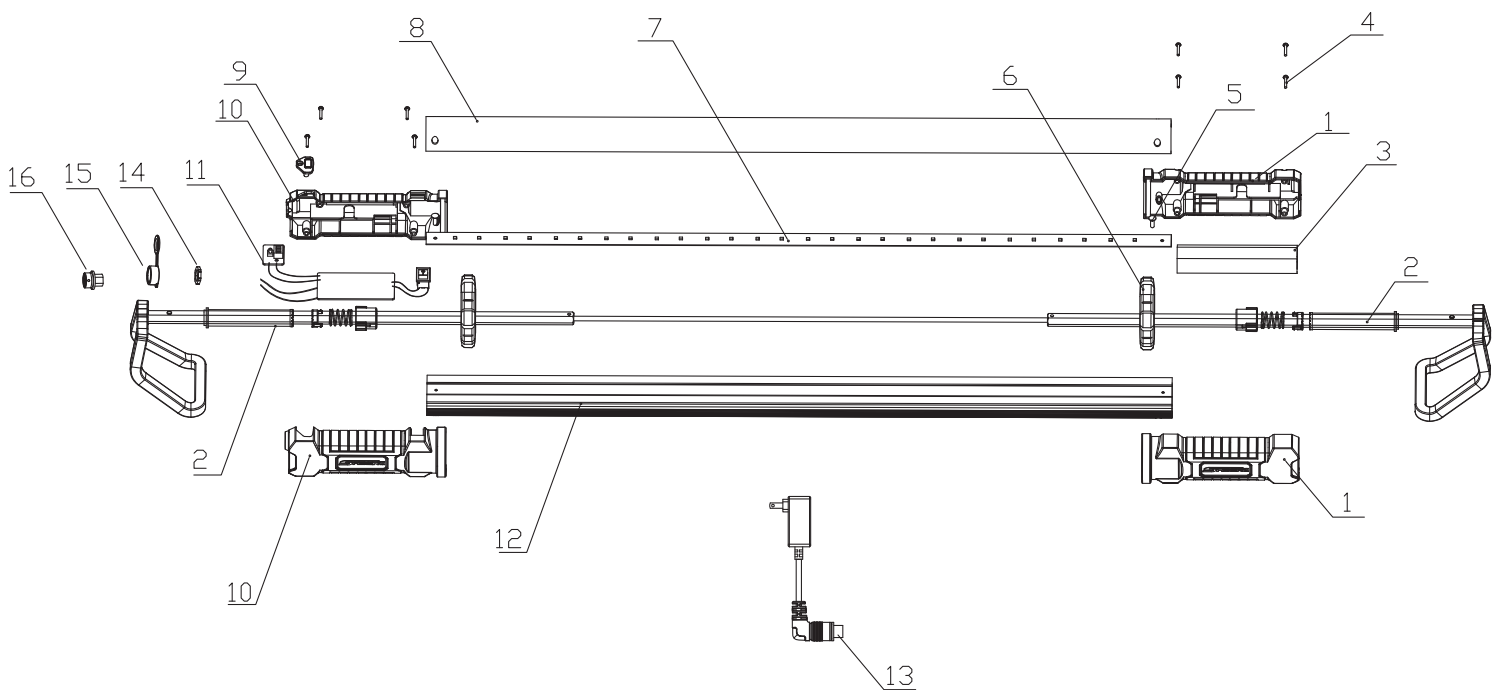


- Once your light is in place, it can be rotated to the desired position by simply twisting the light. You will hear ratcheting “clicks” as you rotate it.



REPLACEMENT PARTS

Not all components of this product are replacement items, but are illustrated as a convenient reference for position in the assembly sequence. When ordering parts, give model number, part number and description. Call your distributor for current pricing:



ITEM#	ORDERING PART#	PART DESCRIPTION
1	PRT80351-03	LEFT HANDLE SET
2	PRT80356-02	PULL ROD ASSY
3	PRT80357-03A	LHON BATTERY 7.4V, 5200mAh
4	PRT80351-08	SCREW 2.9X16
5	PRT80355-04	SCREW 2.9X6
6	PRT80351-05	PROTECTING COVER
7	PRT80357-07	LED PCB
8	PRT80356-07	OPAQUE TUBE, LOWER

ITEM#	ORDERING PART#	PART DESCRIPTION
9	PRT80351-09	BATTERY INDICATOR COVER
10	PRT80357-10A	RIGHT HANDLE SET
11	PRT80365-01	PCBA & SWITCH BOARD
12	PRT80356-13	ALUMINUM TUBE, UPPER
13	PRT80357-13A	CHARGER, QUICK RELEASE
14	PRT80357-14	NUT
15	PRT80357-15	DC COVER
16	PRT80357-16	CHARGING PORT



WARRANTY

1 YEAR LIMITED WARRANTY

THIS WARRANTY AND CONFIRMED RECEIPT(S) SHOULD BE RETAINED BY THE CUSTOMER AT ALL TIMES

PURCHASED FROM: _____

DATE PURCHASED: _____

INVOICE/RECEIPT NUMBER: _____

Your ATD-80365 is warranted for a period of 12 months from the original purchase date.

For a period of one (1) year from your purchase date, ATD Tools Inc. will repair or replace (at its option) without charge, your ATD product if it was purchased new and the product has failed due to a defect in material or workmanship which you experienced during normal use of the product. This limited warranty is your exclusive remedy.

To access the benefits of this warranty, contact your supplier, or point of sale directly. You may be advised to return the product under warranty, freight prepaid, to your supplier for warranty determination.

If this ATD product is altered, abused, misused, modified, or undergoes service by an unauthorized technician, your warranty will be void. We are not responsible for damage to ornamental designs you place on this ATD product and such ornamentation should not cover any warnings or instructions or they may void the warranty. This warranty does not cover scratches, superficial dents, and other abrasions to the paint finish that occur under normal use. It also does not cover normal wear items such as but not limited to brushes, batteries, drill bits, drill chucks, pads or blades.

Subject to the law in your state:

- (1) Your sole and exclusive remedy is repair or replacement of the defective product as described above.
- (2) ATD is not liable for any incidental damages, including but not limited to, lost profits and unforeseeable consequences.
- (3) The repair and replacement of this product under the express limited warranty described above is your exclusive remedy and is provided in lieu of all other warranties, express or implied. All other warranties, including implied warranties and warranties of merchantability or fitness for a particular purpose are disclaimed and, if disclaimer is prohibited, these warranties are limited to one year from your date of purchase of this product.

Some states' laws do not allow limited durations on certain implied warranties and some states' laws do not allow limitations on incidental or consequential damages. You should consult the law in your state to determine how your rights may vary.

[Affix receipt or invoice here for safe keeping]