



ATD-80340B 200 Lumen Rechargeable LED Pocket Light Owner's Manual



FEATURES:

- Super-bright COB LED bulb delivers a wider and brighter lighting area
- Two settings for varied brightness and run times
- 75 lumen LED top light provides an additional flashlight function
- Magnetic base swivels 180 degrees
- 360 degree rotating hanging hook recesses flat into integrated belt clip
- Memory function records setting after 5 seconds, and that setting is recalled the next time device is activated
- Automatic shut off and overcharge protection prolongs battery life
- Constant current design delivers rated light output throughout battery charge cycle
- Includes USB Type-C charging cord

SPECIFICATIONS:

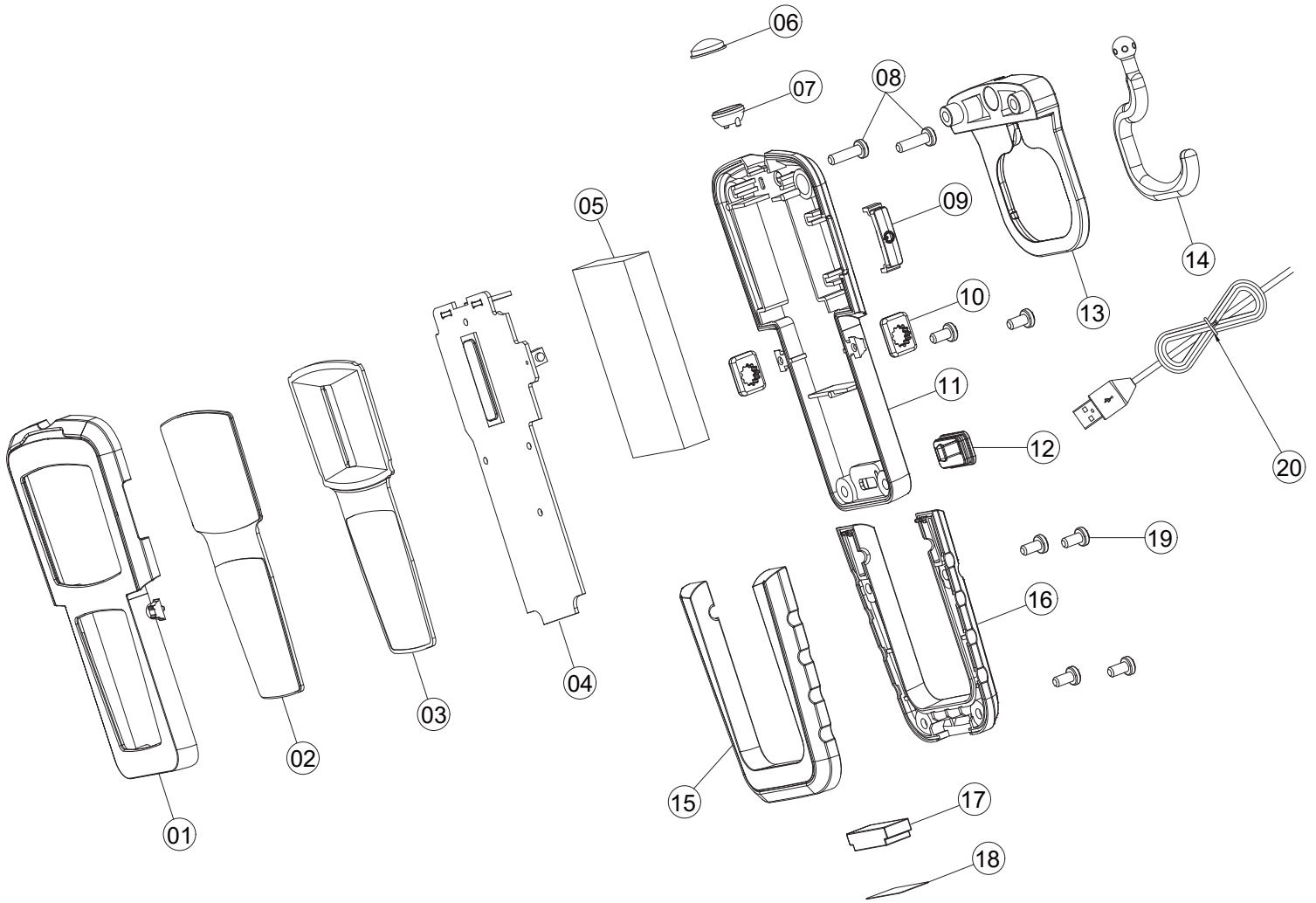
- Length: 4.75"
- Top Spotlight SMD LED Lumens: 75
- Top Spotlight SMD Runtime: 8 hours
- Main COB LED Lumens: 100 low/ 200 high
- Main COB LED Runtime: 6 hours low/ 3 hours high
- 3.7V, 1600mAh lithium-ion rechargeable battery

OPERATING INSTRUCTIONS:

- Before use, connect USB cord to a USB port with 5V and 1A output (such as a car adapter, portable USB battery, computer or laptop computer) and charge until the green indicator over the mini USB socket turns on.
- Charge this light every month if not in constant use, and after each use if it is used often, to ensure longevity.
- Press the switch once for top spotlight, twice for front LED low power, three times for front LED high power and four times to turn off.

CAUTIONS:

- For indoor use only – DO NOT use in or around tubs, showers, sinks, pools, hot tubs, or in a wet environment.
- Use only the recommended voltage and frequency requirements.
- Keep out of reach of children.
- DO NOT operate light with wet hands.
- Keep light away from hot objects.
- DO NOT leave light in direct sunlight for prolonged lengths of time.



ITEM#	ORDERING PART#	PART DESCRIPTION
1	PRT80340B-01	FRONT HOUSING
2	PRT80340B-02	TRANSPARENT COVER
3	PRT80340B-03	REFLECTOR
4	PRT80340B-04	PCBA
5	PRT80340B-05	BATTERY
6	PRT80340B-06	LENS
7	PRT80340B-07	REFLECTION CUP
8	PRT80340B-08	SCREW
9	PRT80340B-09	SWITCH BUTTON
10	PRT80340B-10	GEAR

ITEM#	ORDERING PART#	PART DESCRIPTION
11	PRT80340B-11	BACK HOUSING
12	PRT80340B-12	DC COVER
13	PRT80340B-13	HOOK BASE
14	PRT80340B-14	HOOK
15	PRT80340B-15-19	STAND AND MAGNET ASSEMBLY
16	PRT80340B-15-19	STAND AND MAGNET ASSEMBLY
17	PRT80340B-15-19	STAND AND MAGNET ASSEMBLY
18	PRT80340B-15-19	STAND AND MAGNET ASSEMBLY
19	PRT80340B-15-19	STAND AND MAGNET ASSEMBLY
20	PRT80020-14	TYPE C CHARGING CABLE



THIS WARRANTY AND CONFIRMED RECEIPT(S) SHOULD BE RETAINED BY THE CUSTOMER AT ALL TIMES

PURCHASED FROM: _____

DATE PURCHASED: _____

INVOICE/RECEIPT NUMBER: _____

Your ATD-80340B is warranted for a period of 12 months from the original purchase date.

For a period of one (1) year from your purchase date, ATD Tools, Inc. will repair or replace (at its option) without charge, your ATD product if it was purchased new and the product has failed due to a defect in material or workmanship which you experienced during normal use of the product. This limited warranty is your exclusive remedy.

To access the benefits of this warranty, contact your supplier, or point of sale directly. You may be advised to return the product under warranty, freight prepaid, to your supplier for warranty determination.

If this ATD product is altered, abused, misused, modified, or undergoes service by an unauthorized technician, your warranty will be void. We are not responsible for damage to ornamental designs you place on this ATD product and such ornamentation should not cover any warnings or instructions or they may void the warranty. This warranty does not cover scratches, superficial dents, and other abrasions to the paint finish that occur under normal use. It also does not cover normal wear items such as but not limited to brushes, batteries, drill bits, drill chucks, pads or blades.

Subject to the law in your state:

- (1) Your sole and exclusive remedy is repair or replacement of the defective product as described above.
- (2) ATD is not liable for any incidental damages, including but not limited to, lost profits and unforeseeable consequences.
- (3) The repair and replacement of this product under the express limited warranty described above is your exclusive remedy and is provided in lieu of all other warranties, express or implied. All other warranties, including implied warranties and warranties of merchantability or fitness for a particular purpose are disclaimed and, if disclaimer is prohibited, these warranties are limited to one year from your date of purchase of this product.

Some states' laws do not allow limited durations on certain implied warranties and some states' laws do not allow limitations on incidental or consequential damages. You should consult the law in your state to determine how your rights may vary.

[Affix receipt or invoice here for safe keeping]