



ATD-80304

3-Watt Strip LED + w/2.4W Top Light Owner's Manual



Features

- 3-Watt single strip COB LED bulb for a wider & brighter lighting area
- 2.4-Watt LED bulb top light offers an additional flashlight function
- Lithium-ion rechargeable battery for longer life and consistent power
- Light head rotates 180° and pivots 120° to direct light to work area
- Super strong magnetic base sticks to steel surfaces
- 360° rotating top hook
- Automatic shut-off and overcharge protection for optimal battery life
- Tough, impact resistant ergonomic housing
- Versatile 3-in-1 charging system
 - Charge from 120V AC with included wall power plug
 - Charge from 12V DC with included vehicle power plug
 - Charge from USB charging port with included USB cord

Specifications

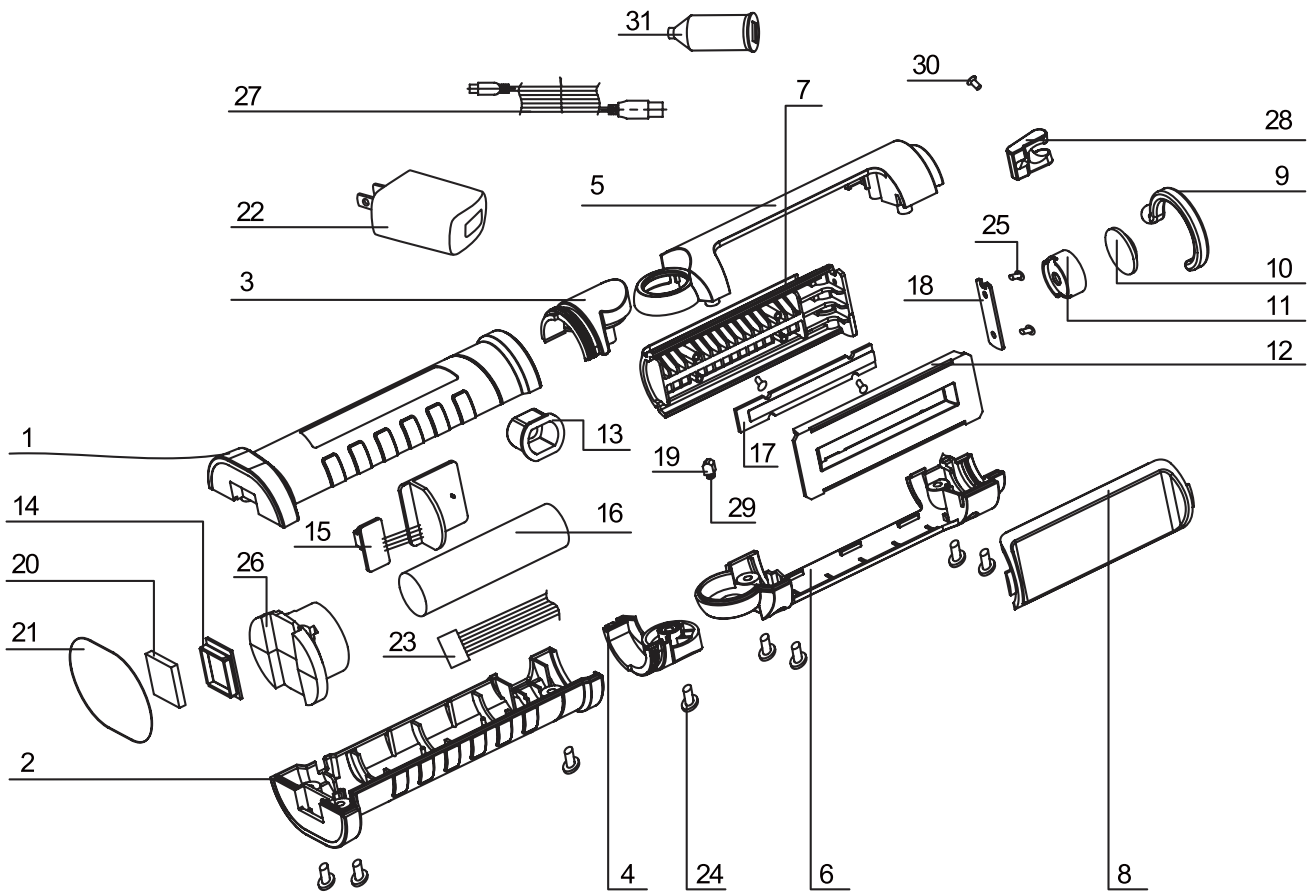
- Main Bulb: 3-Watt single strip COB LED
- Brightness: 200-250 lumens
- Top Bulb: 2.4-Watt LED
- Brightness: 120-160 lumens
- Battery: 3.7V 2200mAh lithium-ion rechargeable
- Run Time: Up to 3-hours continuous
- Length: 10-1/2"
- Weight: 0.60 lbs.

Operating instructions

- To use, plug the unit into any 110-120V AC power source, such as a wall receptacle. Let the unit fully charge until the green indicator inside Mini-USB socket on lamp turns on before use.
- Charge this light every month if not in constant use, and after each use, if it is used often to ensure longevity.
- Press the switch at the back of the handle to turn front light on, press again to turn top light on, press third time to turn it off.

Cautions

- For indoor use only - don't use in or around tubs, showers, sinks, pools, hot tubs, or in a wet environment
- Use only the recommended voltage and frequency requirements
- Keep out of reach of children
- Do not operate light with wet hands.
- Keep lamp away from hot objects.



ITEM#	ORDERING PART#	PART DESCRIPTION
1	PRT80304-01-02	HANDLE ASSEMBLY
2	PRT80304-01-02	HANDLE ASSEMBLY
3	PRT80304-03-04	JOINT ASSEMBLY
4	PRT80304-03-04	JOINT ASSEMBLY
5	PRT80304-05-06	LENS ASSEMBLY
6	PRT80304-05-06	LENS ASSEMBLY
7	PRT80304-07	BACK HOUSING
8	PRT80304-08	FRONT LENS
9	PRT80304-09	TOP HOOK
10	PRT80304-10	TOP LENS
11	PRT80304-11	TOP COVER
12	PRT80304-12	REFLECTOR
13	PRT80304-13	SWITCH COVER
14	PRT80304-14	MAGNET BASE
15	PRT80304-15	SWITCH PCBA W/USB
16	PRT80304-16	LI-ION BATTERY

ITEM#	ORDERING PART#	PART DESCRIPTION
17	PRT80304-17	COB LED
18	PRT80304-18	TOP PCBA WITH LED
19	PRT80304-19-29	GEAR TOOTH & SPRING
20	PRT80304-20	SQUARE MAGNET
21	PRT80304-21	MAGNET LABEL
22	PRT80304-22	AC ADAPTOR
23	PRT80304-23	WIRE
24	PRT80304-24	SCREW
25	PRT80304-25	SCREW
26	PRT80304-26	COUNTERWEIGHT
27	PRT80304-27	USB CORD
28	PRT80304-28	TOP HOOK MOUNT
29	PRT80304-19-29	GEAR TOOTH & SPRING
30	PRT80304-30	SCREW
31	PRT80304-31	DC ADAPTOR



WARRANTY

1 YEAR LIMITED WARRANTY

THIS WARRANTY AND CONFIRMED RECEIPT(S) SHOULD BE RETAINED BY THE CUSTOMER AT ALL TIMES

PURCHASED FROM: _____

DATE PURCHASED: _____

INVOICE/RECEIPT NUMBER: _____

Your ATD-80304 is warranted for a period of 12 months from the original purchase date.

For a period of one (1) year from your purchase date, ATD Tools Inc. will repair or replace (at its option) without charge, your ATD product if it was purchased new and the product has failed due to a defect in material or workmanship which you experienced during normal use of the product. This limited warranty is your exclusive remedy.

To access the benefits of this warranty, contact your supplier, or point of sale directly. You may be advised to return the product under warranty, freight prepaid, to your supplier for warranty determination.

If this ATD product is altered, abused, misused, modified, or undergoes service by an unauthorized technician, your warranty will be void. We are not responsible for damage to ornamental designs you place on this ATD product and such ornamentation should not cover any warnings or instructions or they may void the warranty. This warranty does not cover scratches, superficial dents, and other abrasions to the paint finish that occur under normal use. It also does not cover normal wear items such as but not limited to brushes, batteries, drill bits, drill chucks, pads or blades.

Subject to the law in your state:

- (1) Your sole and exclusive remedy is repair or replacement of the defective product as described above.
- (2) ATD is not liable for any incidental damages, including but not limited to, lost profits and unforeseeable consequences.
- (3) The repair and replacement of this product under the express limited warranty described above is your exclusive remedy and is provided in lieu of all other warranties, express or implied. All other warranties, including implied warranties and warranties of merchantability or fitness for a particular purpose are disclaimed and, if disclaimer is prohibited, these warranties are limited to one year from your date of purchase of this product.

Some states' laws do not allow limited durations on certain implied warranties and some states' laws do not allow limitations on incidental or consequential damages. You should consult the law in your state to determine how your rights may vary.

[Affix receipt or invoice here for safe keeping]