



ATD-80304A

400 Lumen COB LED Rechargeable Work Light with Top Light Owner's Manual



FEATURES:

- COB LED delivers a wider and brighter lighting area
- SMD LED top light offers an additional 160 lumen flashlight function
- Constant current design delivers rated light output throughout battery charge cycle
- Super strong magnetic base provides hands-free use
- Light head pivots 120° to direct light to work area
- 360° rotating hanging hook recesses down around top light
- Tough, impact resistant ergonomic housing
- Automatic shut-off and overcharging protection for optimal battery life
- Versatile 3-in-1 charging system:
 - Charge from 120V AC with included wall power plug
 - Charge from 12V DC with included vehicle power plug
 - Charge from USB charging port with included USB cord

SPECIFICATIONS:

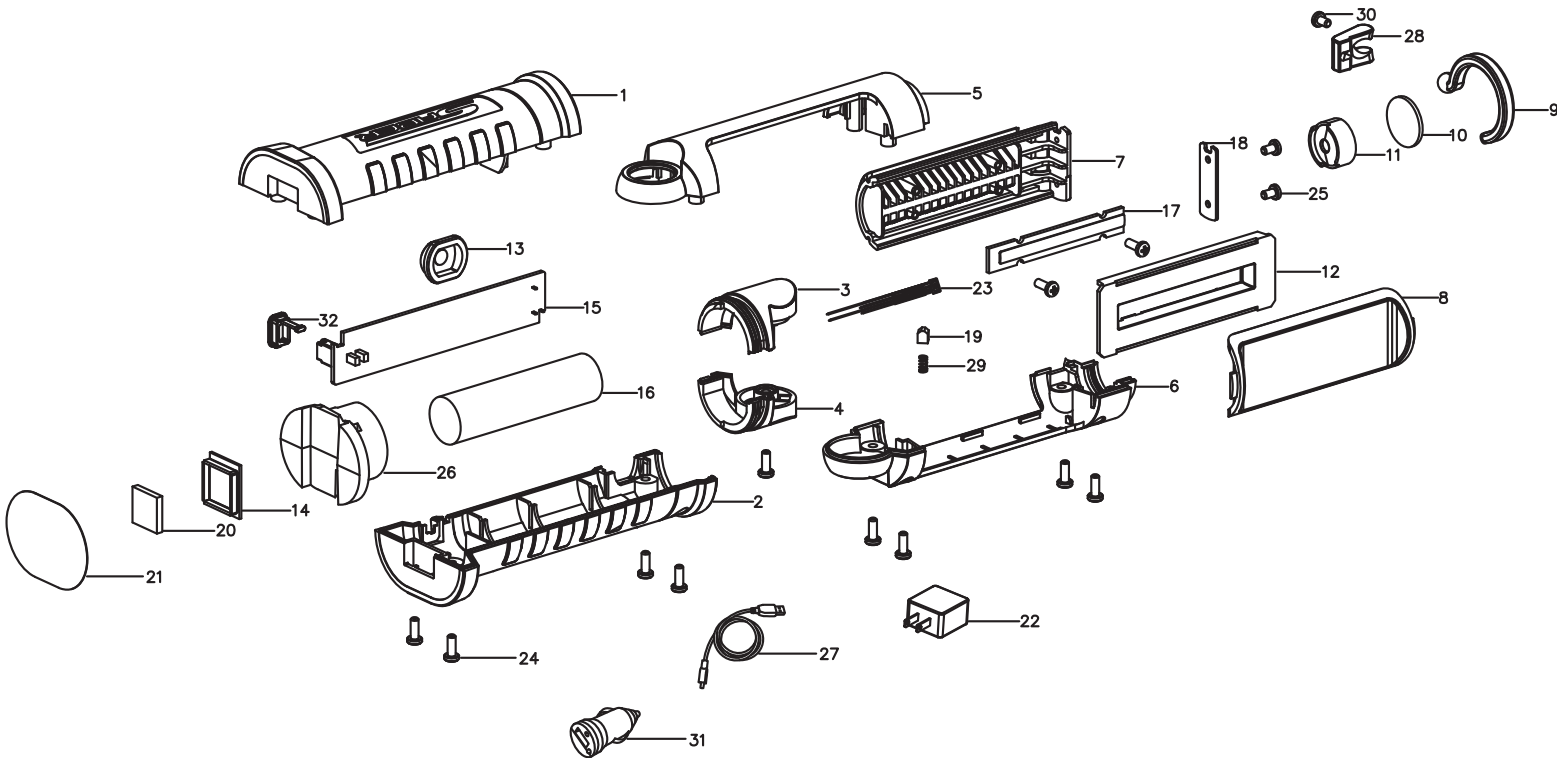
- Main COB LED Brightness: 400 lumens (high), 200 lumens (low)
- Top SMD LED Brightness: 160 lumens
- Run Time: 2.5 hours (high), 5 hours (low)
- Battery: 3.7V, 2600mAh lithium-ion rechargeable
- Length: 10.5"

Operating Instructions:

- Before use, plug the unit into any 110-120V AC power source, 12V DC power source or 5V DC USB port and let unit fully charge until the green indicator inside the Mini USB socket turns on.
- Press the switch once for the top LED, twice for the front LED, three times for the front LED high power, and four times for off.
- Charge this light every month if not in constant use, and after each use if used often, to ensure longevity.

Cautions:

- **DO NOT** use in or around tubs, showers, sinks, pools, hot tubs or in a wet environment.
- **DO NOT** operate with wet hands
- Use only the recommended voltage and frequency requirements.
- Keep out of reach of children.
- Keep light away from hot objects.
- **DO NOT** leave light in direct sunlight for prolonged lengths of time.



ITEM#	ORDERING PART#	PART DESCRIPTION
1	PRT80304A-01-02	HANDLE ASSEMBLY
2	PRT80304A-01-02	HANDLE ASSEMBLY
3	PRT80304-03-04	JOINT ASSEMBLY
4	PRT80304-03-04	JOINT ASSEMBLY
5	PRT80304-05-06	LENS ASSEMBLY
6	PRT80304-05-06	LENS ASSEMBLY
7	PRT80304-07	BACK HOUSING
8	PRT80304-08	FRONT LENS
9	PRT80304-09	TOP HOOK
10	PRT80304-10	TOP LENS
11	PRT80304-11	TOP COVER
12	PRT80304-12	REFLECTOR
13	PRT80304A-13	SWITCH COVER
14	PRT80304-14	MAGNET BASE
15	PRT80304A-15	SWITCH PCBA W/USB
16	PRT80304A-16	LI-ION BATTERY

ITEM#	ORDERING PART#	PART DESCRIPTION
17	PRT80304A-17	COB LED
18	PRT80304-18	TOP PCBA WITH LED
19	PRT80304-19-29	GEAR TOOTH & SPRING
20	PRT80304-20	SQUARE MAGNET
21	PRT80304-21	MAGNET LABEL
22	PRT80304-22	AC ADAPTOR
23	PRT80304-23	WIRE
24	PRT80304-24	SCREW
25	PRT80304-25	SCREW
26	PRT80304-26	COUNTERWEIGHT
27	PRT80304-27	USB CORD
28	PRT80304-28	TOP HOOK MOUNT
29	PRT80304-19-29	GEAR TOOTH & SPRING
30	PRT80304-30	SCREW
31	PRT80304-31	DC ADAPTOR
32	PRT80304A-32	USB COVER