



ATD-80252

150 Lumen Inspection Pen Light with Headband and Hat Clip

Owner's Manual



*Only one light included - shown above as stand alone, with headband and with hat clip for illustration purposes.

FEATURES:

- 150 lumen COB LED delivers a wider and brighter lighting area
- SMD LED top light offers an additional 150 lumen spotlight function
- Impact-resistant, lightweight aluminum housing resists rust and corrosion
- Constant current design delivers rated light output throughout battery charge cycle
- Memory function records setting after 5 seconds, and that setting is recalled the next time device is activated
- Additional red light feature for hunting, caution and SOS
- Magnetic clip rotates 360 degrees for multiple mounting options
- Battery indicator LED shows charging progress
- Automatic shut-off and overcharging protection for optimal battery life
- IK07 rated for mechanical impact protection
- Includes USB Type-C charging cord

Operating Instructions

- Charge with the included USB Type-C cable: Plug the unit into any 110-120V AC power source or 5V DC USB port. Let the unit fully charge until the LED indicator light turns to green.
- LED light - Press the switch once for bottom light, twice for front LED low power, three times for front LED high power and four times to turn off.
- Red light - Hold the switch when the LED light on (both bottom flash or front flood) to shift to the red light setting. Press the switch once for SOS red light, twice to turn off. Hold the switch when the red light is on to shift back to the LED light.
- Memory function - Setting is recorded after 5 seconds of activation and is recalled the next time device is activated.
- Charge the light after each use if it is used often, to ensure longevity. Charge light every month if it is not in constant use.
- To change the battery, simply unscrew the end of the light and slide the old battery out. **Replace with the original PRT80252-12 battery only.**

Cautions

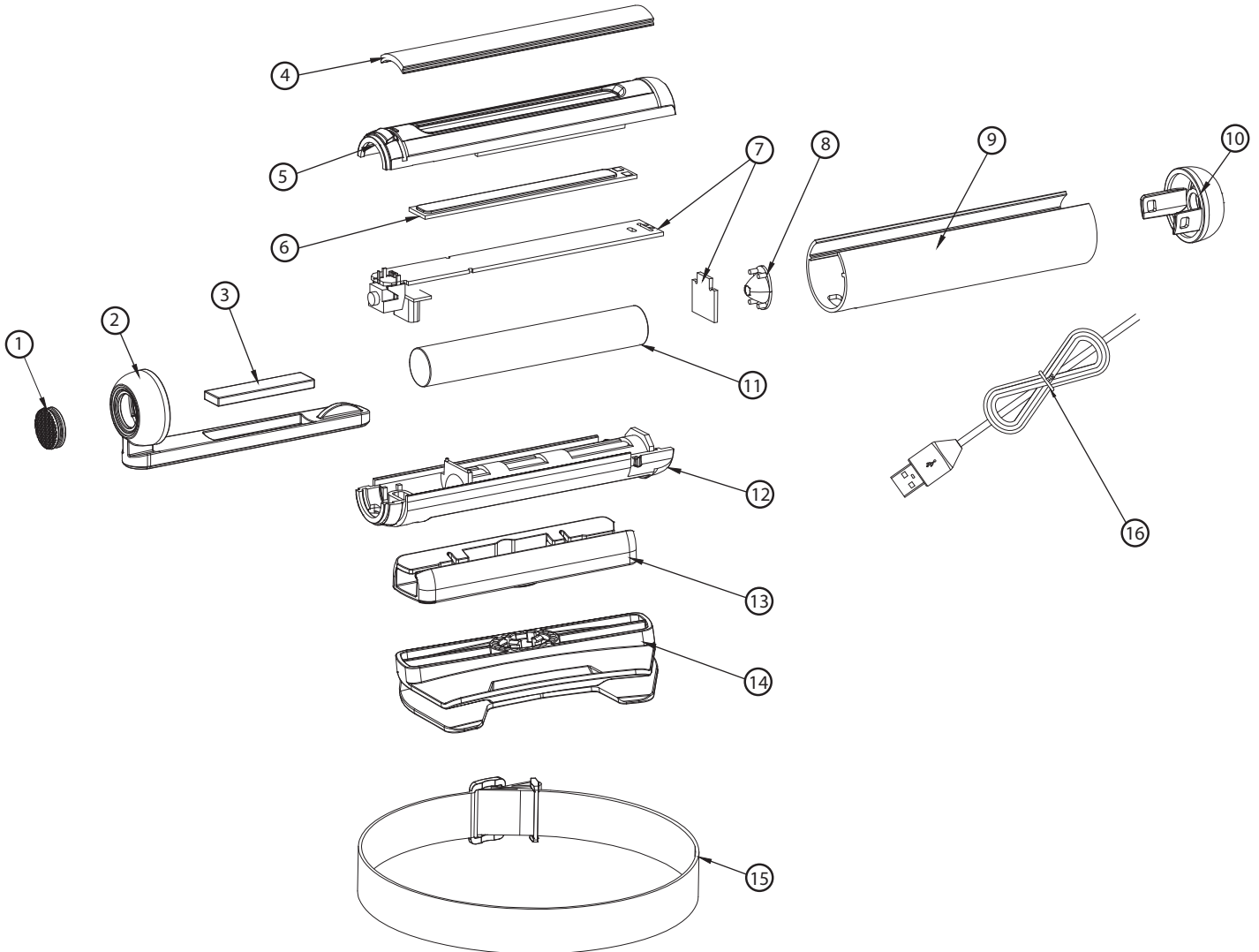
- For indoor use only – **DO NOT** use in or around tubs, showers, sinks, pools, hot tubs, or in a wet environment.
- Use only the recommended voltage and frequency requirements.
- Keep out of reach of children.
- **DO NOT** operate light with wet hands.
- Keep light away from hot objects.
- **DO NOT** leave light in direct sunlight for prolonged lengths of time.

SPECIFICATIONS:

- Main Bulb Brightness: 150 lumens (high), 75 lumens (low)
- Top Spotlight Brightness: 150 lumens
- Battery: 3.7V, 600mAh LiPo rechargeable
- Run Times: Up to 1.5 hours (high), 3 hours (low), 1.5 hours (red mode)
- Length: 3.7"

REPLACEMENT PARTS

Not all components of this product are replacement items, but are illustrated as a convenient reference for position in the assembly sequence. When ordering parts, give model number, part number and description. Call your distributor for current pricing:



ITEM#	ORDERING PART#	PART DESCRIPTION
1	PRT80252-01	SWITCH BUTTON
2	PRT80252-02	TOP COVER WITH CLIP
3	PRT80252-03	MAGNET
4	PRT80252-04	PC COVER
5	PRT80252-05	FRONT COVER
6	PRT80252-06	COB LED
7	PRT80252-07	PCBA
8	PRT80252-08	LENS

ITEM#	ORDERING PART#	PART DESCRIPTION
9	PRT80252-09	ALUMINUM CASE
10	PRT80252-10	BOTTOM COVER
11	PRT80252-11	BATTERY
12	PRT80252-12	BACK COVER
13	PRT80252-13	HEADBAND ACCESSORY
14	PRT80252-14	CAP CLIP ACCESSORY
15	PRT80252-15	HEADBAND
16	PRT80020-14	TYPE C CHARGING CABLE



ATD[®]

WARRANTY

1 YEAR LIMITED WARRANTY

THIS WARRANTY AND CONFIRMED RECEIPT(S) SHOULD BE RETAINED BY THE CUSTOMER AT ALL TIMES

PURCHASED FROM: _____

DATE PURCHASED: _____

INVOICE/RECEIPT NUMBER: _____

Your ATD-80252 is warranted for a period of 12 months from the original purchase date.

For a period of one (1) year from your purchase date, ATD Tools, Inc. will repair or replace (at its option) without charge, your ATD product if it was purchased new and the product has failed due to a defect in material or workmanship which you experienced during normal use of the product. This limited warranty is your exclusive remedy.

To access the benefits of this warranty, contact your supplier, or point of sale directly. You may be advised to return the product under warranty, freight prepaid, to your supplier for warranty determination.

If this ATD product is altered, abused, misused, modified, or undergoes service by an unauthorized technician, your warranty will be void. We are not responsible for damage to ornamental designs you place on this ATD product and such ornamentation should not cover any warnings or instructions or they may void the warranty. This warranty does not cover scratches, superficial dents, and other abrasions to the paint finish that occur under normal use. It also does not cover normal wear items such as but not limited to brushes, batteries, drill bits, drill chucks, pads or blades.

Subject to the law in your state:

- (1) Your sole and exclusive remedy is repair or replacement of the defective product as described above.
- (2) ATD is not liable for any incidental damages, including but not limited to, lost profits and unforeseeable consequences.
- (3) The repair and replacement of this product under the express limited warranty described above is your exclusive remedy and is provided in lieu of all other warranties, express or implied. All other warranties, including implied warranties and warranties of merchantability or fitness for a particular purpose are disclaimed and, if disclaimer is prohibited, these warranties are limited to one year from your date of purchase of this product.

Some states' laws do not allow limited durations on certain implied warranties and some states' laws do not allow limitations on incidental or consequential damages. You should consult the law in your state to determine how your rights may vary.

[Affix receipt or invoice here for safe keeping]