



ATD-80210

1,000 Lumen Flood Light with 600 Lumen Spot Light

Owner's Manual



FEATURES:

- Heavy-duty anodized aluminum housing
- High and low light settings provide varied brightness and run times
- Constant current design delivers rated light output throughout battery charge cycle
- COB LED flood light delivers a wider and brighter lighting area
- Swivel hook with powerful magnet allows hands-free use
- IP54 rated for dust and moisture resistance

SPECIFICATIONS:

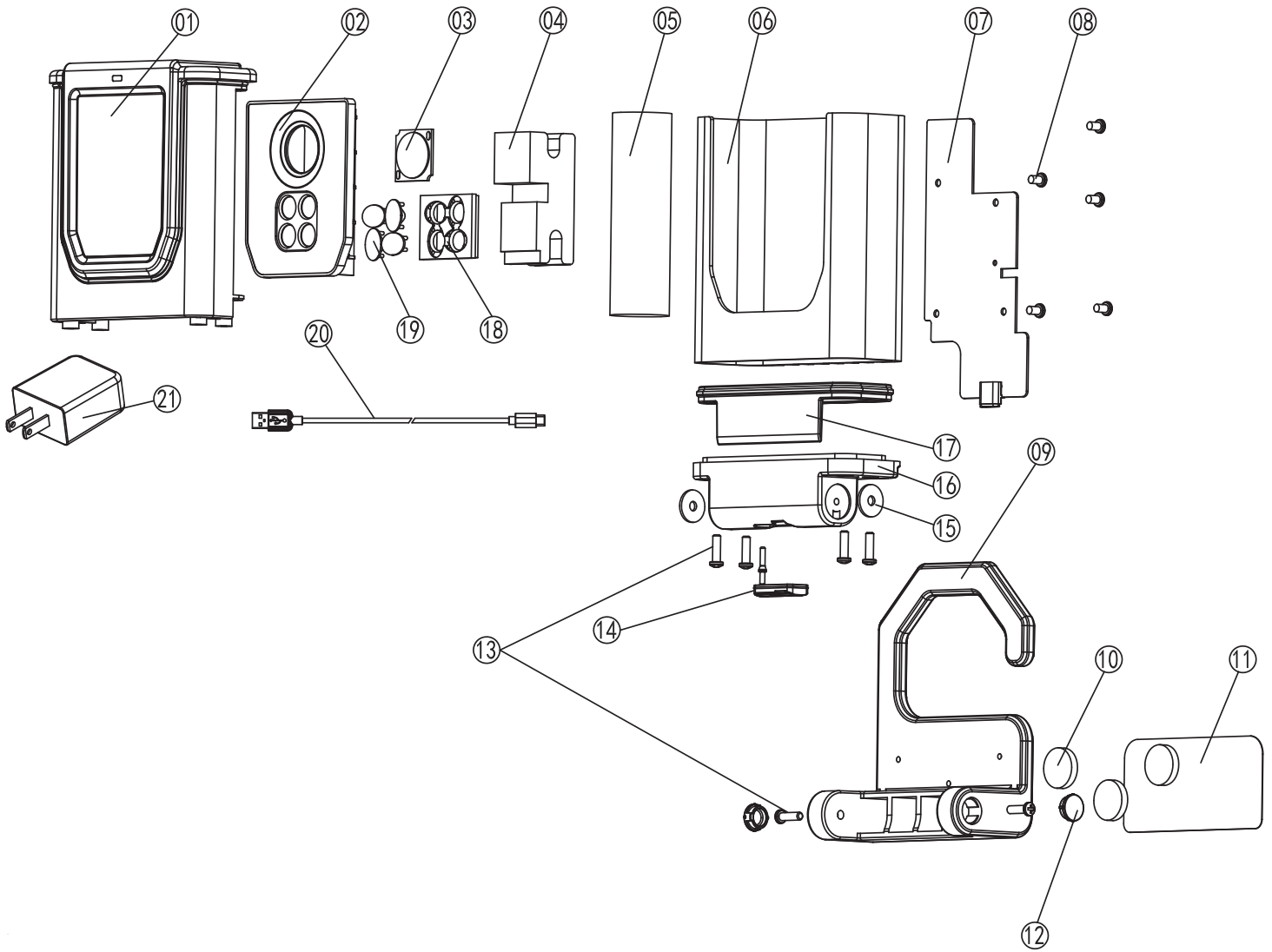
- 3.65V, 4,000mAh lithium-ion battery
- 5V, 2A AC adapter with USB Type-C cable
- COB LED Flood Light lumens: 1000 (high), 500 (low)
- SMD LED Spot Light lumens: 600 (high), 300 (low)
- Charge Time: 3 - 4 hours
- Run Times: 1.5 hours (high), 3 hours (low)

Operating Instructions

- Charge with the cable: Plug the USB Type-C cable into any 5V DC power source and let the unit fully charge until the indicator above the front LED turns green.
- Press the switch once for low flood power, twice for high flood power, three times for low spot power, four times for high spot power and five times to turn off.
- Charge the light after each use if it is used often, to ensure longevity. Charge light every month if it is not in constant use.

Cautions

- DO NOT use in or around tubs, showers, sinks, pools, hot tubs or in any wet environment
- Use only the recommended voltage and frequency requirements
- Keep out of reach of children
- DO NOT operate light with wet hands
- Keep light away from hot objects
- DO NOT leave light in direct sunlight for prolonged lengths of time



ITEM#	ORDERING PART#	PART DESCRIPTION
1	PRT80210-01	FRONT COVER
2	PRT80210-02	REFLECTOR
3	PRT80210-03	COB LED
4	PRT80210-04	HEAT SINK
5	PRT80210-05	LI-ION BATTERY
6	PRT80210-06	ALUMINUM HOUSING
7	PRT80210-07	PCBA AND USB PCBA ASSY
8	PRT80210-08	SCREW A ST 2.9 x 6
9	PRT80210-09	HOOK
10	PRT80210-10	MAGNET
11	PRT80210-11	MAGNET LABEL

ITEM#	ORDERING PART#	PART DESCRIPTION
12	PRT80203-16	SIDE HOOK COVER
13	PRT80210-12	SCREW B ST 2.9x10
14	PRT80203-21	DC COVER
15	PRT80210-13	WASHER
16	PRT80210-14	BOTTOM COVER
17	PRT80210-15	WATERPROOF RING FOR BOTTOM COVER
18	PRT80210-16	LENS CUP
19	PRT80203-07	LENS
20	PRT80020-14	USB TYPE-C CABLE
21	PRT80395A-04	AC ADAPTER



THIS WARRANTY AND CONFIRMED RECEIPT(S) SHOULD BE RETAINED BY THE CUSTOMER AT ALL TIMES

PURCHASED FROM: _____

DATE PURCHASED: _____

INVOICE/RECEIPT NUMBER: _____

Your ATD-80210 is warranted for a period of 12 months from the original purchase date.

For a period of one (1) year from your purchase date, ATD Tools, Inc. will repair or replace (at its option) without charge, your ATD product if it was purchased new and the product has failed due to a defect in material or workmanship which you experienced during normal use of the product. This limited warranty is your exclusive remedy.

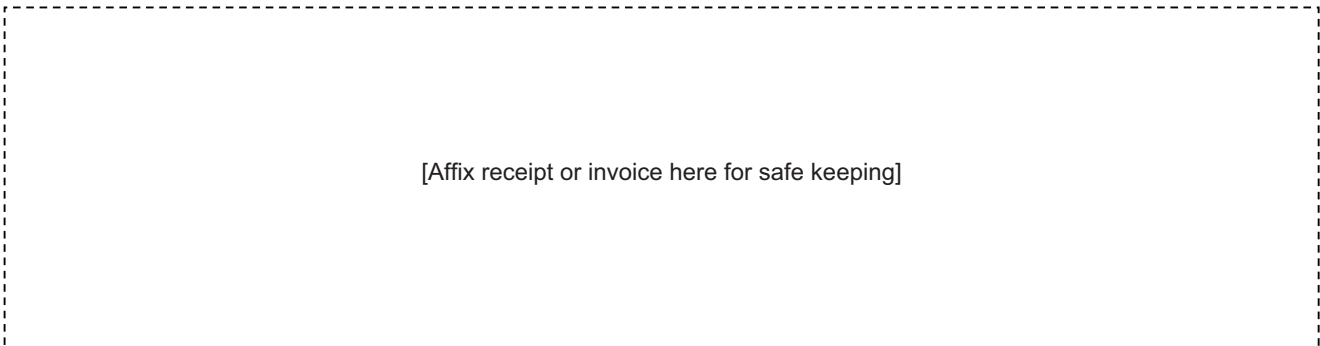
To access the benefits of this warranty, contact your supplier, or point of sale directly. You may be advised to return the product under warranty, freight prepaid, to your supplier for warranty determination.

If this ATD product is altered, abused, misused, modified, or undergoes service by an unauthorized technician, your warranty will be void. We are not responsible for damage to ornamental designs you place on this ATD product and such ornamentation should not cover any warnings or instructions or they may void the warranty. This warranty does not cover scratches, superficial dents, and other abrasions to the paint finish that occur under normal use. It also does not cover normal wear items such as but not limited to brushes, batteries, drill bits, drill chucks, pads or blades.

Subject to the law in your state:

- (1) Your sole and exclusive remedy is repair or replacement of the defective product as described above.
- (2) ATD is not liable for any incidental damages, including but not limited to, lost profits and unforeseeable consequences.
- (3) The repair and replacement of this product under the express limited warranty described above is your exclusive remedy and is provided in lieu of all other warranties, express or implied. All other warranties, including implied warranties and warranties of merchantability or fitness for a particular purpose are disclaimed and, if disclaimer is prohibited, these warranties are limited to one year from your date of purchase of this product.

Some states' laws do not allow limited durations on certain implied warranties and some states' laws do not allow limitations on incidental or consequential damages. You should consult the law in your state to determine how your rights may vary.



[Affix receipt or invoice here for safe keeping]