



ATD-80203

300 Lumen Wireless Charging LED Pocket Light

Owner's Manual



FEATURES:

- Heavy-duty anodized aluminum housing
- High and low light settings provide varied brightness and run times
- Constant current design delivers rated light output throughout battery charge cycle
- Super-bright COB LED bulb delivers a wider and brighter lighting area
- SMD LED top light offers an additional 150 lumen flashlight function
- Swivel hook with powerful magnet allows hands-free use
- Automatic shut off and overcharge protection prolongs battery life
- Wireless charging compatibility (wireless charger not included)
- IP54 rated for dust and moisture resistance

SPECIFICATIONS:

- 3.7V, 1500mAh lithium-ion battery
- USB Type-C cable
- Main Bulb Brightness: 300 lumens (high), 150 lumens (low)
- Run Times: 2 hours (high), 4 hours (low)
- Charging Time: 2.5 - 3.5 hours
- Top Light Brightness: 150 lumens

Operating Instructions

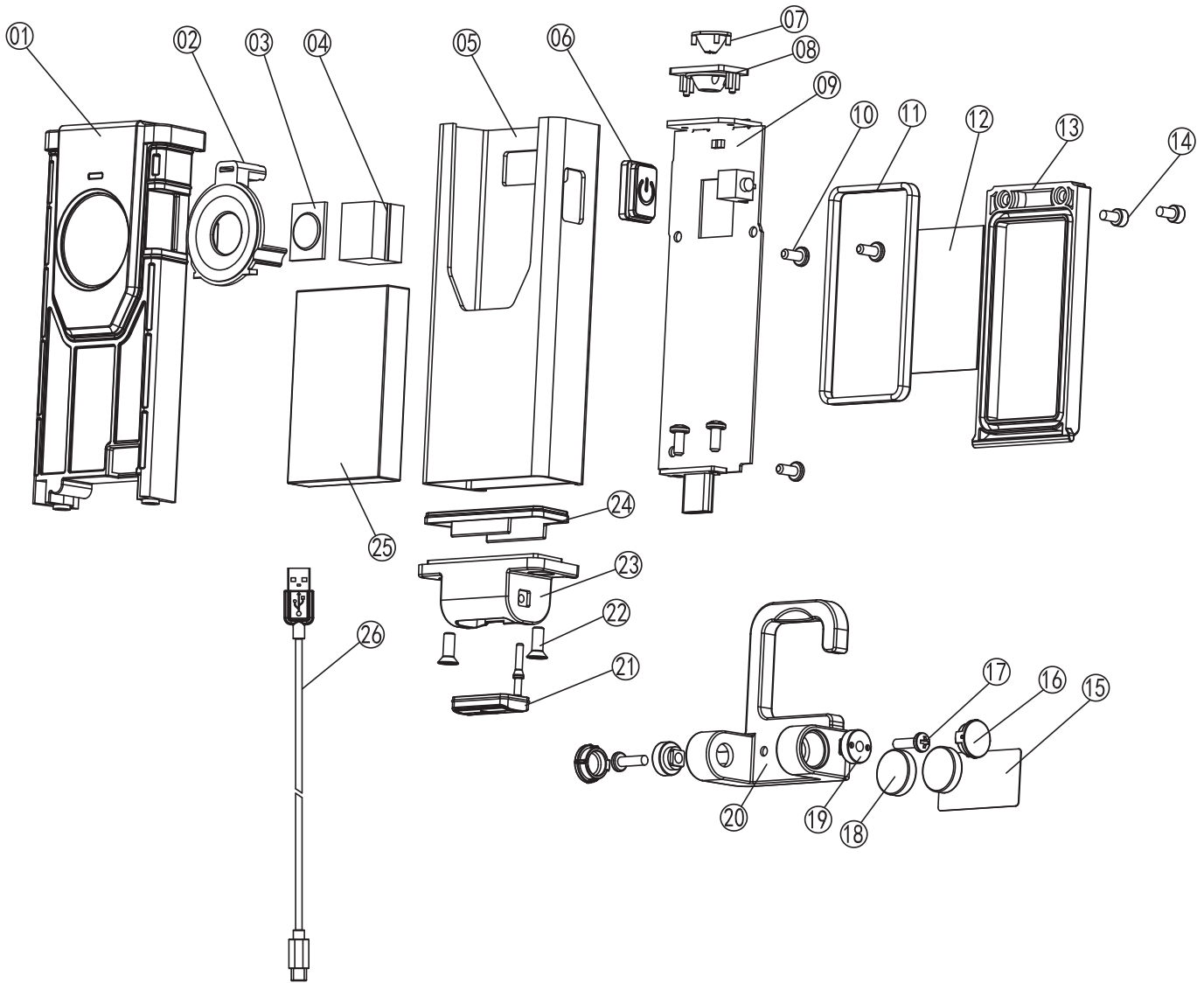
- Two methods of charging apply:

- 1) Charge with the cable: Plug the USB Type-C cable into any 5V DC power source and let the unit fully charge until the indicator above the front LED turns green.
- 2) Use wireless charging: Use the optional wireless charging pad (ATD-80206) or other wireless charger.
 - a) Place the light on charging pad. Align the ⚡ with the center of the pad. If the light is not in the correct position, the LED charging indicator will not light up.
 - b) When the light is placed correctly on the charging pad and during charging, the LED charging indicator will light up red
 - c) When the light is fully charged on the charging pad, the LED charging indicator will light up green.
 - d) When the light is left on the charging pad overnight, the LED charging indicator will remain green until the light is removed from the charging pad.
 - e) Once the light is removed from the charging pad, the LED charging indicator will switch off.

- The light cannot be used while charging wirelessly.
- Press the switch once for top LED, twice for low power front LED, three times for high power front LED and four times to turn off.
- Charge the light after each use if it is used often, to ensure longevity. Charge light every month if it is not in constant use.

Cautions

- DO NOT use in or around tubs, showers, sinks, pools, hot tubs or in any wet environment
- Use only the recommended voltage and frequency requirements
- Keep out of reach of children
- DO NOT operate light with wet hands
- Keep light away from hot objects
- DO NOT leave light in direct sunlight for prolonged lengths of time



ITEM#	ORDERING PART#	PART DESCRIPTION
1	PRT80203-01	FRONT COVER
2	PRT80203-02	REFLECTOR
3	PRT80203-03	COB LED
4	PRT80203-04	HEAT SINK
5	PRT80203-05	ALUMINUM HOUSING
6	PRT80203-06	SWITCH BUTTON
7	PRT80203-07	LENS
8	PRT80203-08	LENS HOLDER
9	PRT80203-09	PCBA AND USB PCBA ASSY
10	PRT80203-10	SCREW A ST 2.5x6
11	PRT80203-11	WATERPROOF RING FOR BACK COVER
12	PRT80203-12	WIRELESS CHARGING MODULE
13	PRT80203-13	BACK COVER

ITEM#	ORDERING PART#	PART DESCRIPTION
14	PRT80203-14	SCREW B ST 2.9x5
15	PRT80203-15	MAGNET LABEL
16	PRT80203-16	SIDE HOOK COVER
17	PRT80203-17	SCREW C 2.5x12
18	PRT80203-18	MAGNET
19	PRT80203-19	PIVOT
20	PRT80203-20	HOOK
21	PRT80203-21	DC COVER
22	PRT80203-22	SCREW D ST 2.9x8
23	PRT80203-23	BOTTOM COVER
24	PRT80203-24	WATERPROOF RING FOR BOTTOM COVER
25	PRT80203-25	LI-ION BATTERY
26	PRT80020-14	USB TYPE-C CABLE



ATD[®]

WARRANTY

1 YEAR LIMITED WARRANTY

THIS WARRANTY AND CONFIRMED RECEIPT(S) SHOULD BE RETAINED BY THE CUSTOMER AT ALL TIMES

PURCHASED FROM: _____

DATE PURCHASED: _____

INVOICE/RECEIPT NUMBER: _____

Your ATD-80203 is warranted for a period of 12 months from the original purchase date.

For a period of one (1) year from your purchase date, ATD Tools Inc. will repair or replace (at its option) without charge, your ATD product if it was purchased new and the product has failed due to a defect in material or workmanship which you experienced during normal use of the product. This limited warranty is your exclusive remedy.

To access the benefits of this warranty, contact your supplier, or point of sale directly. You may be advised to return the product under warranty, freight prepaid, to your supplier for warranty determination.

If this ATD product is altered, abused, misused, modified, or undergoes service by an unauthorized technician, your warranty will be void. We are not responsible for damage to ornamental designs you place on this ATD product and such ornamentation should not cover any warnings or instructions or they may void the warranty. This warranty does not cover scratches, superficial dents, and other abrasions to the paint finish that occur under normal use. It also does not cover normal wear items such as but not limited to brushes, batteries, drill bits, drill chucks, pads or blades.

Subject to the law in your state:

- (1) Your sole and exclusive remedy is repair or replacement of the defective product as described above.
- (2) ATD is not liable for any incidental damages, including but not limited to, lost profits and unforeseeable consequences.
- (3) The repair and replacement of this product under the express limited warranty described above is your exclusive remedy and is provided in lieu of all other warranties, express or implied. All other warranties, including implied warranties and warranties of merchantability or fitness for a particular purpose are disclaimed and, if disclaimer is prohibited, these warranties are limited to one year from your date of purchase of this product.

Some states' laws do not allow limited durations on certain implied warranties and some states' laws do not allow limitations on incidental or consequential damages. You should consult the law in your state to determine how your rights may vary.

[Affix receipt or invoice here for safe keeping]