



ATD-80020

150 Lumen Inspection Penlight with Top Light Owner's Manual



Features:

- 150 lumen COB LED delivers a wider and brighter lighting area
- SMD LED top light offers an additional 100 lumen flashlight function
- Impact-resistant, lightweight aluminum housing resists rust and corrosion
- Constant current design delivers rated light output throughout battery charge cycle
- Automatic shut-off and overcharging protection for optimal battery life
- Includes USB Type C charging cord

Specifications:

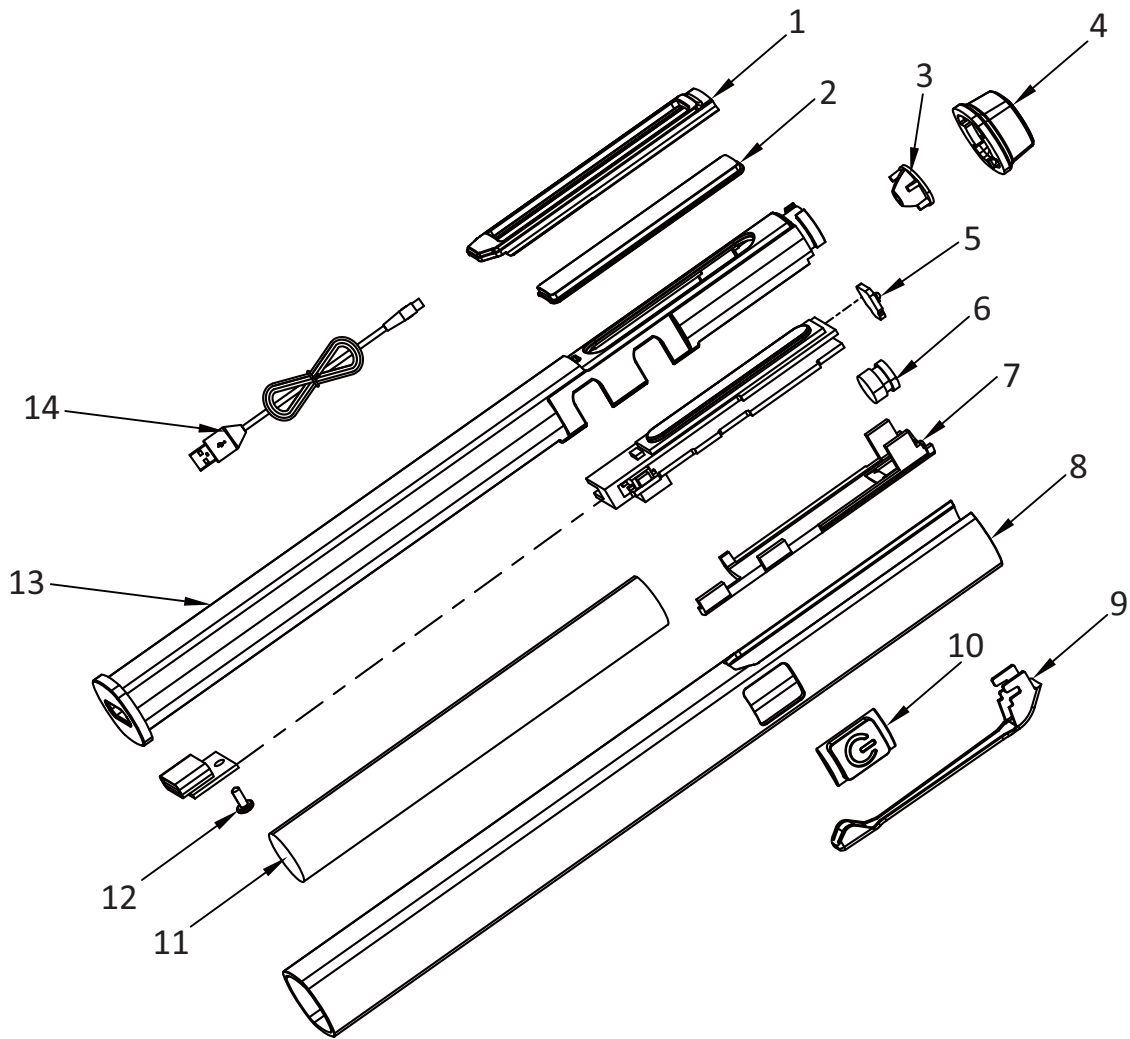
- Main Bulb Brightness: 150 lumens (high), 75 lumens (low)
- Top Light Brightness: 100 lumens
- Battery: 3.7V, 750mAh Li-Poly rechargeable
- Run Time: 2 hours (high), 4 hours (low)
- 2-3 Hours Charging Time
- Length: 6.46"

Operating Instructions

- To use, plug unit into any 110V AC power source. Let the unit fully charge until the indicator under the front COB turns green.
- Press the switch once for top LED, twice for low LED power, three times for high LED power and four times to turn off.
- Charge the light after each use if it is used often, to ensure longevity. Charge light every month if it is not in constant use.

Cautions

- DO NOT use in or around tubs, showers, sinks, pools, hot tubs or in a wet environment.
- Use only the recommended voltage and frequency requirements.
- Keep out of reach of children.
- DO NOT operate light with wet hands.
- Keep light away from hot objects.
- DO NOT leave light in direct sunlight for prolonged lengths of time.



ITEM#	ORDERING PART#	PART DESCRIPTION
1	PRT80020-01	FRONT COVER
2	PRT80020-02	PC COVER
3	PRT80020-03-04	TOP COVER AND LENS ASSEMBLY
4	PRT80020-03-04	TOP COVER AND LENS ASSEMBLY
5	PRT80020-05-06	PCBA AND HEAT SINK ASSEMBLY
6	PRT80020-05-06	PCBA AND HEAT SINK ASSEMBLY
7	PRT80020-07	COB MOUNTING BLOCK
8	PRT80020-08	ALUMINUM HOUSING
9	PRT80020-09	PEN CLIP
10	PRT80020-10	SWITCH BUTTON
11	PRT80020-11	LI-ION BATTERY
12	PRT80020-12	SCREW A
13	PRT80020-13	FRAME
14	PRT80020-14	USB C CABLE



WARRANTY

1 YEAR LIMITED WARRANTY

THIS WARRANTY AND CONFIRMED RECEIPT(S) SHOULD BE RETAINED BY THE CUSTOMER AT ALL TIMES

PURCHASED FROM: _____

DATE PURCHASED: _____

INVOICE/RECEIPT NUMBER: _____

Your ATD-80020 is warranted for a period of 12 months from the original purchase date.

For a period of one (1) year from your purchase date, ATD Tools Inc. will repair or replace (at its option) without charge, your ATD product if it was purchased new and the product has failed due to a defect in material or workmanship which you experienced during normal use of the product. This limited warranty is your exclusive remedy.

To access the benefits of this warranty, contact your supplier, or point of sale directly. You may be advised to return the product under warranty, freight prepaid, to your supplier for warranty determination.

If this ATD product is altered, abused, misused, modified, or undergoes service by an unauthorized technician, your warranty will be void. We are not responsible for damage to ornamental designs you place on this ATD product and such ornamentation should not cover any warnings or instructions or they may void the warranty. This warranty does not cover scratches, superficial dents, and other abrasions to the paint finish that occur under normal use. It also does not cover normal wear items such as but not limited to brushes, batteries, drill bits, drill chucks, pads or blades.

Subject to the law in your state:

- (1) Your sole and exclusive remedy is repair or replacement of the defective product as described above.
- (2) ATD is not liable for any incidental damages, including but not limited to, lost profits and unforeseeable consequences.
- (3) The repair and replacement of this product under the express limited warranty described above is your exclusive remedy and is provided in lieu of all other warranties, express or implied. All other warranties, including implied warranties and warranties of merchantability or fitness for a particular purpose are disclaimed and, if disclaimer is prohibited, these warranties are limited to one year from your date of purchase of this product.

Some states' laws do not allow limited durations on certain implied warranties and some states' laws do not allow limitations on incidental or consequential damages. You should consult the law in your state to determine how your rights may vary.

[Affix receipt or invoice here for safe keeping]