



ATD-7489

3/4 Ton Adjustable Engine Load Leveler

Owner's Manual



Features:

- Makes engine removal or installation faster and easier
- Can be used with shop crane or hoist
- 1,500 lbs. capacity will handle most passenger car and small engines
- Meets or exceeds ASME / PASE 2014 standards

SAFETY AND GENERAL INFORMATION

Save these instructions. For your safety, *read, understand and follow* the information contained within. The owner and operator should have an understanding of this equipment and safe operating procedures before attempting to use. Instructions and Safety information should be conveyed in the operator's native language before use of this equipment is authorized. Make certain that the operator thoroughly understands the inherent dangers associated with the use and misuse of the equipment. If any doubt exists as to the safe and proper use of this equipment, remove from service immediately.

Inspect before each use. Do not use if there are broken, bent, cracked or otherwise damaged parts (including labels). Owners and operators of this equipment should be aware that the use of this equipment may require special training and knowledge. It is recommended that an annual inspection be done by qualified personnel and that any missing or damaged decals, warning / safety labels or signs be replaced with factory authorized replacements only. Any engine sling that appears to be damaged in any way, is worn or operates abnormally should be removed from service and destroyed immediately.

PRODUCT DESCRIPTION

ATD Tools Engine Sling is designed to use with a standard engine crane to safely support load up to 3/4 Ton. It mounts to the engine easily with 4 bolts. Heavy duty steel frame helps prevent distortion and twisting. Compliance with factory standards ensure safety, strength and stability.

SPECIFICATIONS

Model	Capacity	Chain Bracket Distance	Chain Length	Frame Size (L x W)
ATD-7489	3/4 Ton	10" to 12-1/2"	12"	18" x 7-5/8"

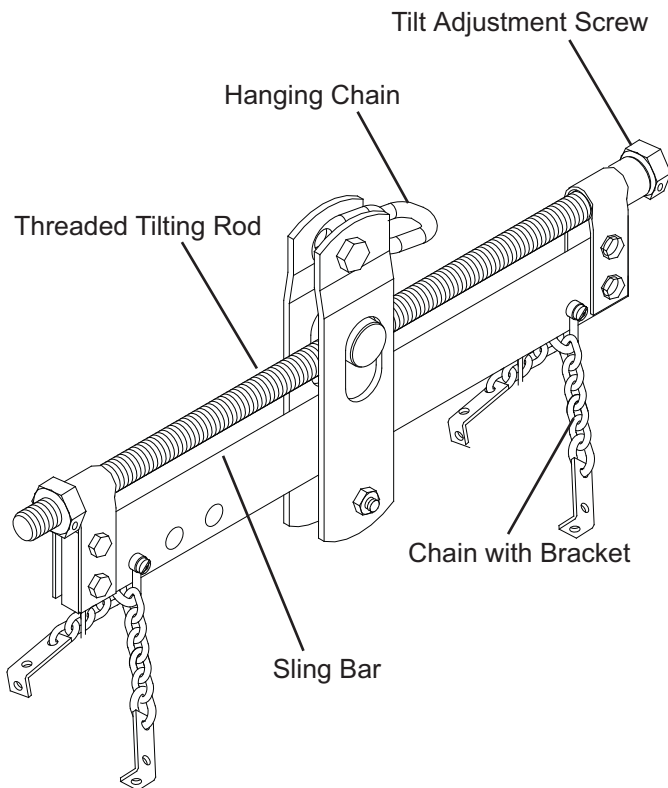


Figure 1 - Engine Sling components

BEFORE USE

1. Verify that the equipment and the application are compatible.
2. Before using this equipment, read the operator's manual completely and familiarize yourself thoroughly with the equipment and the hazards associated with its improper use.
3. Inspect before each use. Do not use if bent, broken or cracked components are noted.
4. Ensure that all parts move freely.

⚠ WARNING

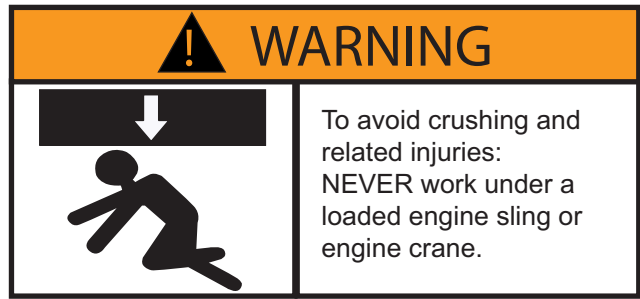
- Study, understand, and follow all instructions provided before attempting to use this equipment.
- Do not exceed rated capacity.
- Never work under a lifted load for any reason.
- Ensure that the engine is supported securely before repairing.
- Do not use this equipment for any purpose other than that for which it is intended.
- No alterations shall be made to this product.
- Failure to heed these markings may result in personal injury and/or property damage.

OPERATION

1. There are three positions available to adjust the chain bracket width to fit most engines. Adjust to your best fit and ensure that the threaded pin is tightened.
2. Secure engine to the chain brackets
3. Engage the engine sling hanging chain to the engine crane hook.
4. Ensure the load is centered.
5. Follow vehicle service manual recommendations to remove engine.
6. Study and follow engine crane's operator instructions manual to remove/install engine.
7. When ready to remove engine, lift the engine crane gradually. Balance the engine at proper angle by turning the tilt adjustment screw.
8. Lift the engine crane high enough to clear the vehicle.
9. Immediately upon removal and when clear of the vehicle, lower the load to lowest practical position.

Note: Avoid rolling the loaded engine crane. Move only across smooth, level, seamless surfaces.

10. **Before** moving, ensure the load:
 - a) is lowered to lowest practical position and below center of gravity.
 - b) is prevented from swinging and inadvertent shifting.
11. Position a suitable engine stand near the removed engine, then immediately transfer the load to engine stand.
12. Check to ensure stand is secure before working on or around.



MAINTENANCE

Periodically inspect the engine sling. Ensure all parts move freely. To help prevent rust, wipe clean after each use. If rust appears, sand affected area and cover with suitable utility paint. Store the engine sling in a clean, dry area.

REPLACEMENT PARTS

Not all components of the engine sling are replacement items, but are illustrated as a convenient reference of location and position in the assembly sequence. When ordering parts, give part number and part description. Call your distributor for current pricing.

Replacement Parts List

Item	Part#	Description	Qty
1	T580-03000-000	Hanging Chain	1
2	T580-01000-000	Chain Group	2
3	T580-01001-000	Threaded Pin	2

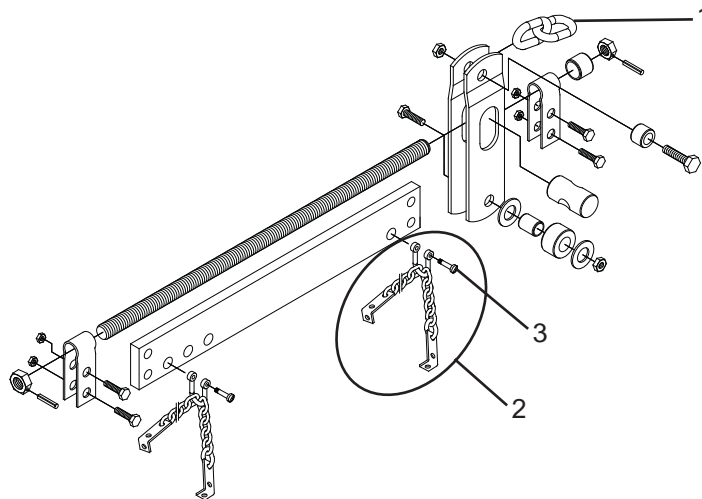


Figure 2 - Engine Sling Parts Illustration



WARRANTY
1 YEAR LIMITED WARRANTY

THIS WARRANTY AND CONFIRMED RECEIPT(S) SHOULD BE RETAINED BY THE CUSTOMER AT ALL TIMES

PURCHASED FROM: _____

DATE PURCHASED: _____

INVOICE/RECEIPT NUMBER: _____

Your ATD-7489 is warranted for a period of 12 months from the original purchase date.

For a period of one (1) year from your purchase date, ATD Tools Inc. will repair or replace (at its option) without charge, your ATD product if it was purchased new and the product has failed due to a defect in material or workmanship which you experienced during normal use of the product. This limited warranty is your exclusive remedy.

To access the benefits of this warranty, contact your supplier, or point of sale directly. You may be advised to return the product under warranty, freight prepaid, to your supplier for warranty determination.

If this ATD product is altered, abused, misused, modified, or undergoes service by an unauthorized technician, your warranty will be void. We are not responsible for damage to ornamental designs you place on this ATD product and such ornamentation should not cover any warnings or instructions or they may void the warranty. This warranty does not cover scratches, superficial dents, and other abrasions to the paint finish that occur under normal use. It also does not cover normal wear items such as but not limited to brushes, batteries, drill bits, drill chucks, pads or blades.

Subject to the law in your state:

- (1) Your sole and exclusive remedy is repair or replacement of the defective product as described above.
- (2) ATD is not liable for any incidental damages, including but not limited to, lost profits and unforeseeable consequences.
- (3) The repair and replacement of this product under the express limited warranty described above is your exclusive remedy and is provided in lieu of all other warranties, express or implied. All other warranties, including implied warranties and warranties of merchantability or fitness for a particular purpose are disclaimed and, if disclaimer is prohibited, these warranties are limited to one year from your date of purchase of this product.

Some states' laws do not allow limited durations on certain implied warranties and some states' laws do not allow limitations on incidental or consequential damages. You should consult the law in your state to determine how your rights may vary.

[Affix receipt or invoice here for safe keeping]