



# ***Under Hoist Stands***

## ***Operating Instructions & Parts Manual***

### ***Model Number***

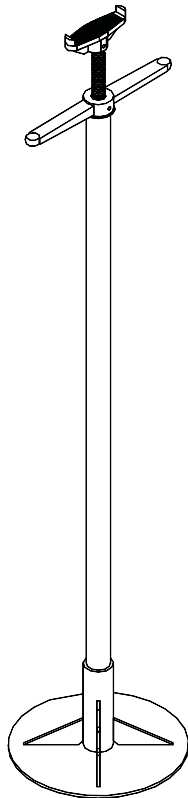
***ATD-7441***

***ATD-7442 (with foot pedal)***

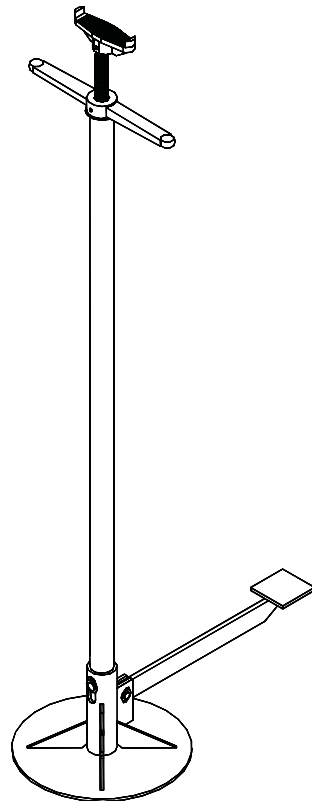
### ***Capacity***

***3/4 Ton***

***3/4 Ton***



Model ATD-7441



Model ATD-7442

### **⚠ WARNING ⚠**

**WARNING:** This product may contain chemicals, including lead, known to the State of California to cause cancer, birth defects or other reproductive harm. *Wash hands after handling.*

# ONE YEAR LIMITED WARRANTY

For a period of one (1) year from date of purchase, **ATD Tools, Inc.** will repair or replace, at its option, without charge, any of its products which fails due to a defect in material or workmanship, or which fails to conform to any implied warranty not excluded hereby.

Performance of any obligation under this warranty may be obtained by contacting your distributor or point of sale for further instructions. Please retain your proof of purchase, as it will be needed for any claim.

Except where such limitations and exclusions are specifically prohibited by applicable law, (1) the CONSUMER'S SOLE AND EXCLUSIVE REMEDY SHALL BE THE REPAIR OR REPLACEMENT OF DEFECTIVE PRODUCTS AS DESCRIBED ABOVE, and (2) **ATD Tools, Inc.** SHALL NOT BE LIABLE FOR ANY CONSEQUENTIAL OR INCIDENTAL DAMAGE OR LOSS WHATSOEVER, and (3) THE DURATION OF ANY AND ALL EXPRESSED AND IMPLIED WARRANTIES, INCLUDING WITHOUT LIMITATION, ANY WARRANTIES OF MERCHANTABILITY AND FITNESS FOR A PARTICULAR PURPOSE, IS LIMITED TO A PERIOD OF ONE (1) YEAR FROM DATE OF PURCHASE.

Some states do not allow limitations on how long an implied warranty lasts, so the above limitation may not apply to you. Some states do not allow the exclusion or limitation of incidental or consequential damages, so the above limitation or exclusion may not apply to you. This warranty gives you specific legal rights, and you may also have other rights which vary from state to state.

---

**Save these instructions.** For your safety, read, understand, and follow the information provided with and on this stand. The owner and operator of this equipment shall have an understanding of this stand and safe operating procedures before attempting to use. The owner and operator shall be aware that use and repair of this product may require special skills and knowledge. Instructions and safety information shall be conveyed in the operator's native language before use of this stand is authorized. If any doubt exists as to the safe and proper use of this stand, remove from service immediately. **Inspect before each use.** Do not use if broken, bent, cracked or damaged parts are noted. Any stand that appears damaged in any way, or operates abnormally shall be removed from service immediately. If the stand has been or suspected to have been subjected to a shock load (a load dropped suddenly, unexpectedly upon it), immediately discontinue use until stand has been checked by qualified personnel. It is recommended that an annual inspection be done by a Factory Authorized Service Center (contact your distributor for a list of authorized service centers). Labels and Owner's Manuals are available from manufacturer (see Replacement Parts, page 4).

## PRODUCT DESCRIPTION

ATD Tools Under Hoist Stands are intended to be used as a means of partial support for, and the positioning of, vehicle components during their installation / removal, but **not** for use in stabilizing or supporting vehicles. These are for use under a 2 or 4 post overhead vehicle lift or in a garage pit. Heavy gauge steel construction and compliance with the latest **ASME / ANSI - PALD** standards ensure safety, strength and stability.

**Do not use to move, support or dolly vehicles**  
**Do not use for any other purpose than those outlined above.**

## SPECIFICATIONS

Model No.	Capacity	Base Diameter	Min. Height	Max. Height	Saddle Size	Weight
ATD-7441	3/4 Ton	12"	53-3/4"	78-7/8"	5-1/4" x 1-1/4"	33 lbs.
ATD-7442						40 lbs.

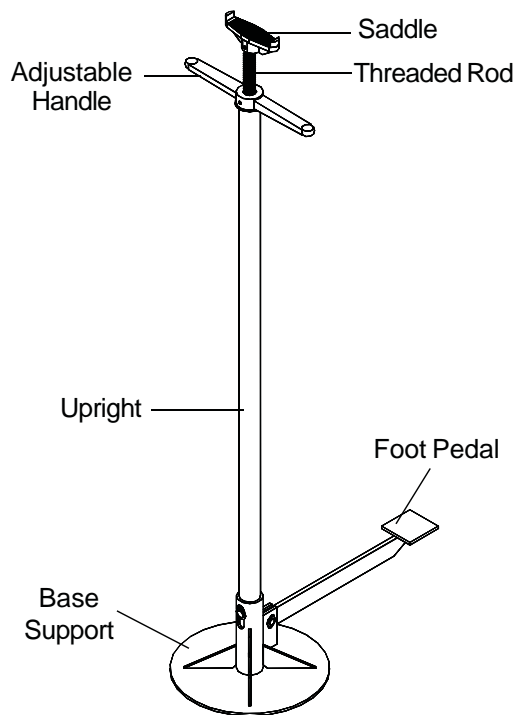


Figure 1 - Typical Underhoist Stand components (ATD-7442 shown)

## BEFORE USE

1. Inspect stand before each use. Do not use if bent, broken or cracked components are noted. Ensure that all parts move freely.
2. Verify that the product and the application are compatible.
3. Before using this product, read the owner's manual completely and familiarize yourself thoroughly with the product and the hazards associated with its improper use. If necessary, call for Technical Assistance (888) 332-6419.

## ASSEMBLY (refer to figure 2 & 3 on page 4.)

1. Begin assembly by inserting smaller end of threaded rod through the bottom of upright, allowing small end of threaded rod to project out of the top of upright.
2. Place bearing over threaded portion.
3. Spin adjustable handle clockwise onto threaded portion.
4. Saddle can now be fastened by inserting the pin through saddle & threaded rod.
5. **a. For model ATD-7441:**  
Insert upright assembly onto base and secure with bolt and nut provided.
- b. For model ATD-7442:**  
Insert upright assembly onto base with slot in upright facing foot pedal mount and secure using the larger pin, washer and c-clip. Then insert foot pedal into slot and secure with remaining pin, washer and c-clip.

**WARNING**

- Study, understand, and follow all instructions before operating this device.
- Do not exceed rated capacity.
- Use only on hard, level surface.
- Adequately support the vehicle before starting repairs.
- Center load on saddle.
- Do not use to support or stabilize vehicle.
- This stand is intended to provide partial support of vehicle components during removal and installation.
- No alterations shall be made to this device.
- Failure to heed these markings may result in Personal injury and/or property damage.

## OPERATION

**Note:** Only attachments and/or adapters supplied by the manufacturer shall be used.

### To Raise

1. Turn adjustable handle clockwise until saddle contacts load. Be sure to center load on saddle.
2. **For model ATD-7442,** slightly raise the saddle by pressing on the foot pedal. This may or may not be necessary depending on the application. It is provided as a means of making temporary adjustments on load height without using your hands. This leaves your hands free to engage, handle and control the workpiece.

**Note:** Do not lower overhead lift in order to accommodate the stand. Contact with the desired vehicle component shall only be done by means of the vertical adjustments provided on the stand.

### To Lower

**Important!** Be sure all tools and personnel are clear before lowering load.

Turn adjustable handle counterclockwise. This product should NEVER be used to lift or lower a load that is not already attached to the vehicle being serviced.

## MAINTENANCE

Periodically inspect each stand. Ensure all parts move freely. Apply grease to nipple as needed. If rust appears, sand affected area and cover with suitable utility paint.

## REPLACEMENT PARTS

Not all components of the stand are replacement items, but are illustrated as a convenient reference of location and position in the assembly sequence. When ordering parts, give model number, part number and description below. Call your distributor for current pricing.

### Model ATD-7441:

Item	Part#	Description	Qty
1	T455-01000-000	Base Support	1
2	5102-08055-000	Bolt M8x55	1
3	5202-00008-000	Hex Nut M8	1
4	T455-02000-000	Main Post/ Upright	1
5	5602-00052-000	Bearing	1
6	5701-00006-000	Grease Fitting Nipple	1
7	T455-00001-000	Adjusting Handle	1
8	5402-06040-000	Pin Ø6x40	1
9	T455-00003-000	Saddle	1
10	T455-00002-000	Saddle Pad	1
11	T455-03000-000	Threaded Rod	1
12	T455-04000-000	Chain	1
-	ATD-7441-L0	Label	1
-	ATD-7442-M0	Manual	1

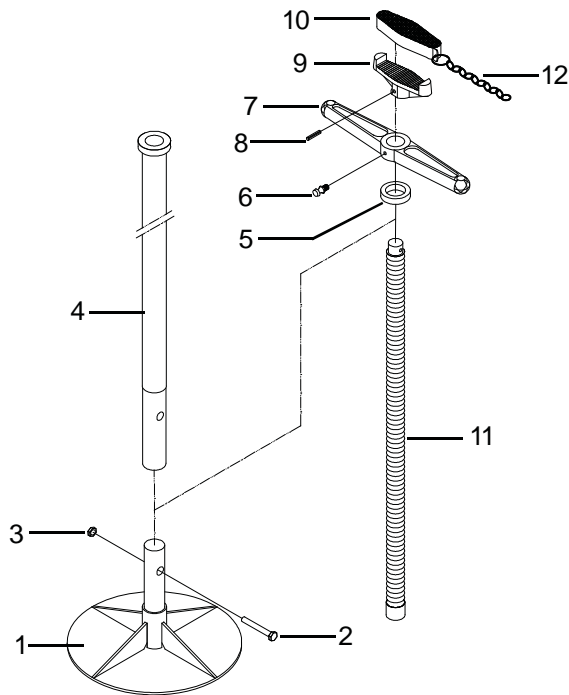


Figure 2 - Parts Illustration for model ATD-7441

### Model ATD-7442:

Item	Part#	Description	Qty
1	T456-01000-000	Base Suport	1
2	T456-00002-000	Pedal Pin	1
3	T456-00001-000	Main Post Pin	1
4	T456-03000-000	Main Post/ Upright	1
5*	5602-00052-000	Bearing	1
6*	5701-00006-000	Grease Fitting Nipple	1
7	T455-00001-000	Adjusting Handle	1
8*	5402-06040-000	Elastic Pin Ø6x40	1
9	T455-00003-000	Saddle	1
10	T455-00002-000	Saddle Pad	1
11	T455-03000-000	Threaded Rod	1
12	T455-04000-000	Chain	1
13*	5307-00016-000	Washer, 16	1
14*	5304-00012-000	"E" Clip, 12	1
15*	5307-00012-000	Washer, 12	1
16*	5304-00009-000	"E" Clip, 9	1
17	T456-02000-000	Foot Pedal	1
(*)	T456-04000-000	Hardware Kit	-
-	ATD-7441-L0	Label	1
-	ATD-7441-M0	Manual	1

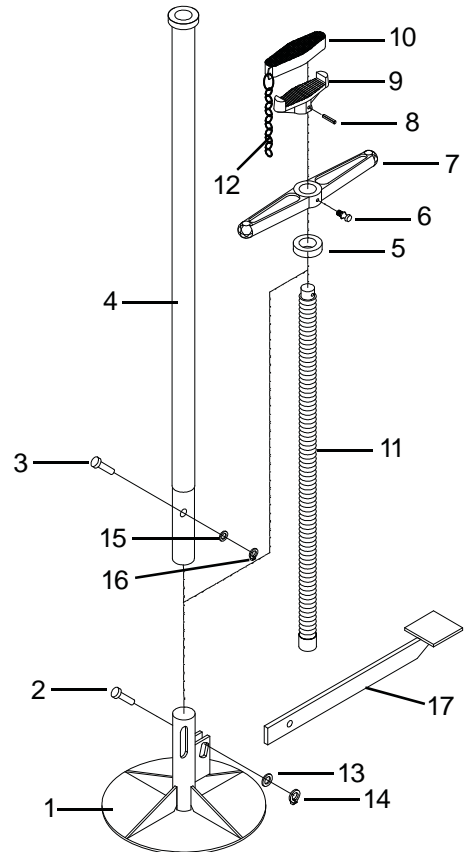


Figure 3 - Parts Illustration for model ATD-7442