



ATD-7441B
3/4-Ton Heavy-Duty Underhoist Stand
&
ATD-7442B
3/4-Ton Heavy-Duty Underhoist Stand with Foot Pedal
Owner's Manual



ATD-7441B



ATD-7442B

Features:

- Fast and safe technology designed to support vehicle components during under vehicle service
- Heavy gauge steel frame prevents distortion or twisting
- 12" diameter base provides stability
- Removable rubber saddle cover protects vehicle components
- Foot pedal allows easy load movement (ATD-7442B only)
- Underhoist stands provide partial support for components – they are NOT designed to support the vehicle
- Meets or exceeds ASME/PASE 2019 Standards

Specifications:

- Capacity (Ton): 3/4
- Minimum Height: 54-3/4"
- Maximum Height: 81-1/16"
- Saddle Size: 5-3/4" x 2-3/4"
- Base Size: 12" diameter

Save these instructions. For your safety, read, understand, and follow the information provided with and on this stand. The owner and operator of this equipment should have an understanding of this stand and safe operating procedures before attempting to use. The owner and operator should be aware that use and repair of this product may require special skills and knowledge. Instructions and safety information should be conveyed in the operator's native language before use of this stand is authorized. If any doubt exists as to the safe and proper use of this stand, remove from service immediately. **Inspect before each use.** Do not use if broken, bent, cracked or damaged parts are noted. Any stand that appears damaged in any way, or operates abnormally should be removed from service immediately. If the stand has been or suspected to have been subjected to a shock load (a load dropped suddenly, unexpectedly upon it), immediately discontinue use until stand has been checked by qualified personnel. It is recommended that an annual inspection be done by a Factory Authorized Service Center (contact your distributor for a list of authorized service centers).

PRODUCT DESCRIPTION

ATD Tools Under Hoist Stands are intended to be used as a means of partial support for, and the positioning of, vehicle components during their installation / removal, but **not** for use in stabilizing or supporting vehicles. These are for use under a 2- or 4-post overhead vehicle lift or in a garage pit. Heavy gauge steel construction and compliance with the latest **ASME / PASE 2019** standards ensure safety, strength and stability.

- **Do not use to move, support or dolly vehicles.**
- **Do not use for any other purpose than those outlined above.**

BEFORE USE

1. Inspect stand before each use. Do not use if bent, broken or cracked components are noted. Ensure that all parts move freely.
2. Verify that the product and the application are compatible.
3. Before using this product, read the owner's manual completely and familiarize yourself thoroughly with the product and the hazards associated with its improper use.

ASSEMBLY

1. Begin assembly by inserting smaller end of threaded rod through the bottom of upright, allowing small end of threaded rod to project out of the top of upright.
2. Place bearing over threaded portion.
3. Spin adjustable handle clockwise onto threaded portion.
4. Saddle can now be fastened by inserting the pin through saddle and threaded rod.
5. **A. For model ATD-7441B:** Insert upright assembly onto base and secure with bolt and nut provided.
B. For model ATD-7442B: Insert upright assembly onto base with slot in upright facing foot pedal mount and secure using the larger pin, washer and C-clip. Then insert foot pedal into slot and secure with the remaining pin, washer and C-clip.

OPERATION

Note: Only attachments and/or adapters supplied by the manufacturer should be used.

To Raise:

1. Turn adjustable handle clockwise until saddle contacts load. Be sure to center load on saddle.
2. **For model ATD-7442B,** slightly raise the saddle by pressing on the foot pedal. This may or may not be necessary depending on the application. It is provided as a means of making temporary adjustments on load height without using your hands. This leaves your hands free to engage, handle and control the workpiece.

Note: Do not lower overhead lift in order to accommodate the stand. Contact with the desired vehicle component should only be done by means of the vertical adjustments provided on the stand.

To Lower:

Important! Be sure all tools and personnel are clear before lowering load. Turn adjustable handle counterclockwise. This product should **NEVER** be used to lift or lower a load that is not already attached to the vehicle being serviced.

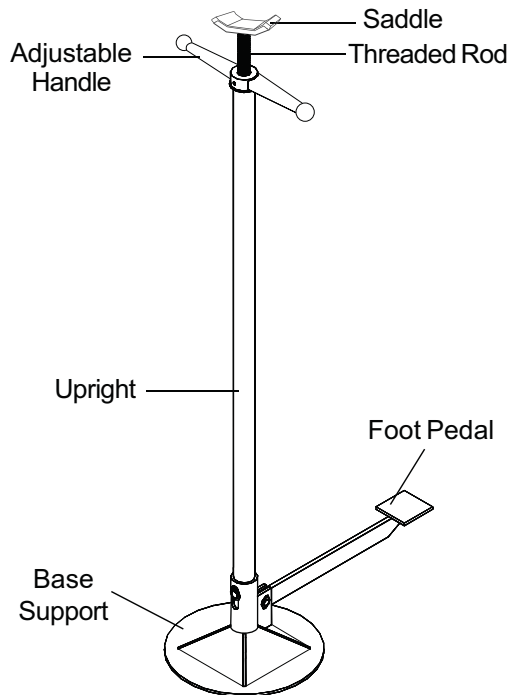




Figure 1 - Typical Underhoist Stand components (ATD-7442B shown)

 WARNING

<ul style="list-style-type: none"> • Study, understand, and follow all instructions before operating this device. • Do not exceed rated capacity. • Use only on hard, level surface. • Adequately support the vehicle before starting repairs. • Center load on saddle. • Do not use to support or stabilize vehicle. • This stand is intended to provide partial support of vehicle components during removal and installation. • No alterations shall be made to this device. • Failure to heed these markings may result in personal injury and/or property damage.

MAINTENANCE

Periodically inspect each stand. Ensure all parts move freely. Apply grease to nipple as needed. If rust appears, sand affected area and cover with suitable utility paint.

REPLACEMENT PARTS

Not all components of the stand are replacement items, but are illustrated as a convenient reference of location and position in the assembly sequence. When ordering parts, give model number, part number and description below. Call your distributor for current pricing.

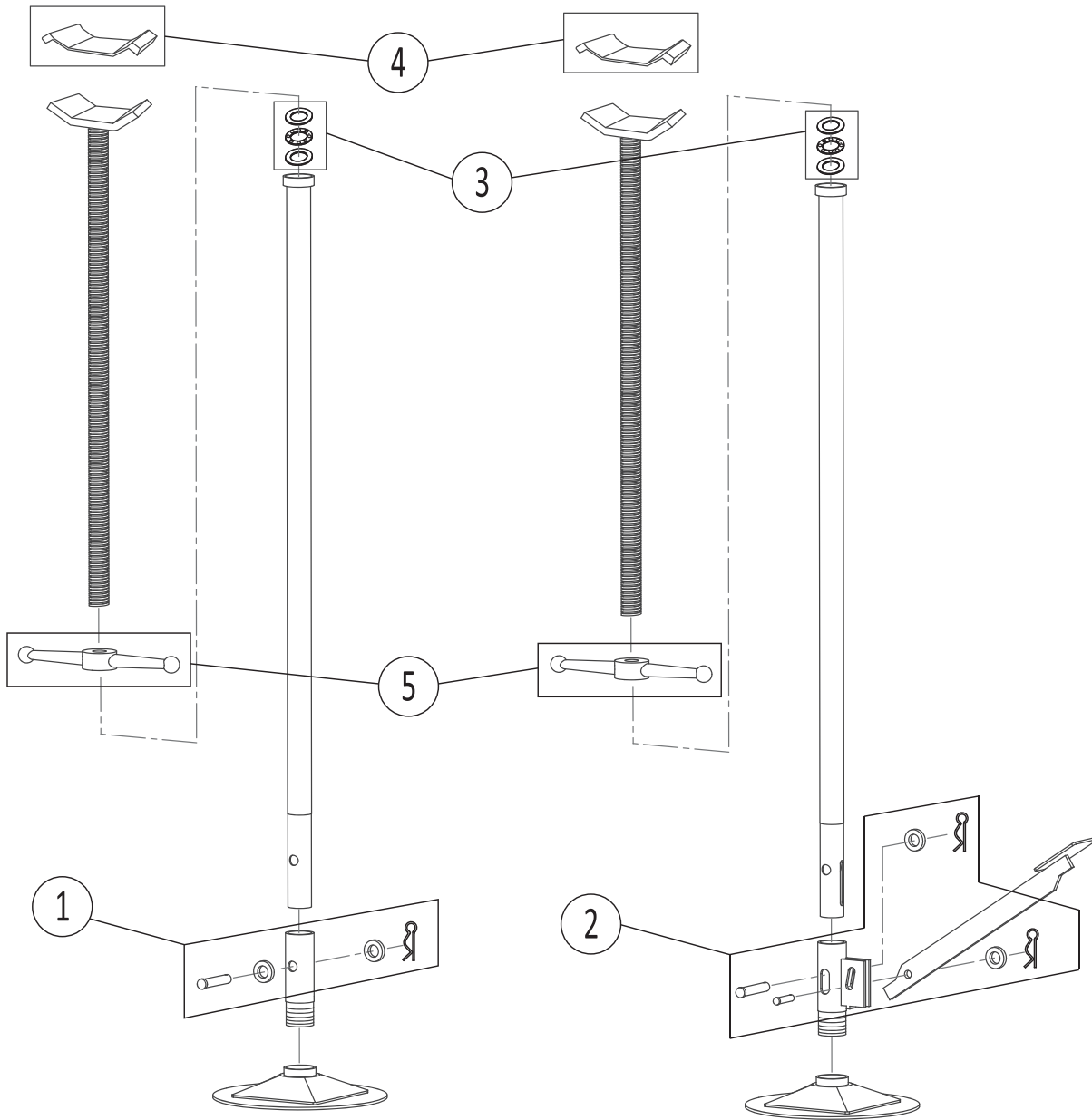


Figure 2 - Parts Illustration for model ATD-7441B

Figure 3 - Parts Illustration for model ATD-7442B

ITEM#	ORDERING PART#	DESCRIPTION
1	PRT7441B-01	ATD-7441A PIN ASSEMBLY
2	PRT7442B-01	ATD-7442A 2 PINS AND FOOT PEDAL ASSEMBLY
3	PRT7441B-03	BEARING
4	PRT7441B-04	SADDLE PAD
5	PRT7441B-05	HANDLE



ATD[®]

WARRANTY

1 YEAR LIMITED WARRANTY

THIS WARRANTY AND CONFIRMED RECEIPT(S) SHOULD BE RETAINED BY THE CUSTOMER AT ALL TIMES

PURCHASED FROM: _____

DATE PURCHASED: _____

INVOICE/RECEIPT NUMBER: _____

Your ATD-7441B or ATD-7442B is warranted for a period of 12 months from the original purchase date.

For a period of one (1) year from your purchase date, ATD Tools Inc. will repair or replace (at its option) without charge, your ATD product if it was purchased new and the product has failed due to a defect in material or workmanship which you experienced during normal use of the product. This limited warranty is your exclusive remedy.

To access the benefits of this warranty, contact your supplier, or point of sale directly. You may be advised to return the product under warranty, freight prepaid, to your supplier for warranty determination.

If this ATD product is altered, abused, misused, modified, or undergoes service by an unauthorized technician, your warranty will be void. We are not responsible for damage to ornamental designs you place on this ATD product and such ornamentation should not cover any warnings or instructions or they may void the warranty. This warranty does not cover scratches, superficial dents, and other abrasions to the paint finish that occur under normal use. It also does not cover normal wear items such as but not limited to brushes, batteries, drill bits, drill chucks, pads or blades.

Subject to the law in your state:

- (1) Your sole and exclusive remedy is repair or replacement of the defective product as described above.
- (2) ATD is not liable for any incidental damages, including but not limited to, lost profits and unforeseeable consequences.
- (3) The repair and replacement of this product under the express limited warranty described above is your exclusive remedy and is provided in lieu of all other warranties, express or implied. All other warranties, including implied warranties and warranties of merchantability or fitness for a particular purpose are disclaimed and, if disclaimer is prohibited, these warranties are limited to one year from your date of purchase of this product.

Some states' laws do not allow limited durations on certain implied warranties and some states' laws do not allow limitations on incidental or consequential damages. You should consult the law in your state to determine how your rights may vary.

[Affix receipt or invoice here for safe keeping]