



ATD-7440A 2-Ton Heavy-Duty Tripod Stand Owner's Manual



Features:

- Underhoist stand is perfect for use with 2 or 4 post lifts
- Heavy gauge steel frame prevents distortion or twisting
- High reach supplementary stand prevents tipping and rocking of vehicle
- This stand is NOT designed to support the vehicle
- Meets or exceeds ASME / PASE 2019 standards

Specifications:

- Capacity: 2 Ton
- Minimum Height: 48-7/16"
- Maximum Height: 83-1/16"
- Saddle Size: 5-7/16" x 1-9/16"
- Base Size: 24-7/16" x 21-1/4"

SAFETY and GENERAL INFORMATION

Save these instructions. For your safety, read, understand, and follow the information provided with and on this high reach supplementary stand before using. The owner and/or operator of this equipment should have an understanding of this product and safe operating procedures before attempting to use. Before attempting to position this device, the owner and/or operator should be aware that using the product requires special skills and knowledge pertaining to working on, under, and around a vehicle with an automotive lift. Instructions and safety information should be conveyed in the operator's native language before use of this stand is authorized. If any doubt exists as to the safe and proper use of this high reach supplementary stand as outlined in this factory authorized manual, remove from service immediately.

Inspect before each use. Do not use if broken, bent, cracked, or damaged parts (including labels) are noted. Any stand that appears damaged in any way, operates abnormally or is missing parts, should be removed from service immediately and the manufacturer notified. If you suspect that the stand was subjected to a shock load (a load dropped suddenly, unexpectedly upon it), immediately discontinue use until stand has been checked by a Qualified Service Center. It is recommended that an annual inspection be done by qualified personnel. Labels and owner's manuals are available from manufacturer.

PRODUCT DESCRIPTION

ATD Tools Heavy-Duty Tripod Stand is designed to help prevent the tipping or rocking of a vehicle while the vehicle is on an automotive lift. It is to be used in pairs to **stabilize** a vehicle during service. It is **not** intended to support the lifted load, only to stabilize the load as work is being performed under a **properly secured lift**. The rated capacity of this device is intended to be used as a reference of the working load that this stand is capable of sustaining. The working load is **NOT** increased if used in pairs. The working load of a pair of stands **should not** be considered to be more than the rated capacity of a single stand. The rated capacity of this stand is **4000 lbs.**



NEVER use high reach supplementary stand to support a vehicle! Use a pair to prevent vehicle tipping or rocking while vehicle is on an automotive lift.

SPECIFICATIONS

Model	Capacity	Base Size	Min. Height	Max. Height	Saddle Size	Net Weight
ATD-7440A	2 Ton	24-7/16" x 21-1/4"	48-7/16"	83-1/16"	5-7/16" x 1-9/16"	35.5 lbs

BEFORE USE

1. Inspect stand before each use. Do not use if bent, broken or cracked components are noted. Ensure that all parts move freely.
2. Verify that the product and the application are compatible, if in doubt call for Technical Assistance (636) 327-9050.
3. **Before** using this product, **read the owner's manual and familiarize yourself thoroughly** with the product and hazards associated with its improper use.
4. Always check the vehicle owner's or service manual for location of proper lift and support points. This device is designed to **stabilize, NOT SUPPORT** a vehicle while on an automotive lift. Special skills and knowledge pertaining to working on and around an automotive lift may be required before attempting to position/use this device.



WARNING

- Study, understand, and follow all printed materials provided with/on this device before use.
- Do not exceed rated capacity.
- Use only on hard, level surface.
- Center load on saddle.
- **Do not** use the stand to support a vehicle.
- Use stands in pairs **under a properly secured automotive lift** to stabilize the vehicle before starting repairs.
- Only attachments and/or adapters supplied by the manufacturer should be used.
- No alteration should be made to this device
- Failure to heed these markings may result in personal injury and/or property damage.

WARNING

- Study, understand, and follow all instructions before operating this stand. Stand owner is responsible to have the manual and all warnings understood by all non-speaking English users in their own native language.
- Technician and any person near a supplementary stand under load shall wear eye protection that meets ANSI Z87.1 and OSHA Standards.
- Do not exceed the rated capacity.
- Use only on a hard, level surface capable of supporting load.
- Adequately support the vehicle before starting repairs.
- Center load on saddle.
- Do not use the stand to support a vehicle.
- Use stands in pairs to stabilize the vehicle before starting repairs.
- No alterations or modifications shall be made to this stand.
- Failure to heed these warnings may result in property damage, personal injury or death.
- **⚠ WARNING:** Cancer and reproductive harm – www.P65Warnings.ca.gov

ASSEMBLY (REFER TO PARTS DIAGRAM PAGE 5)

Before beginning assembly of product, make sure all parts are present. Compare parts with package contents listed in Figure 1 & Parts List on page 4.

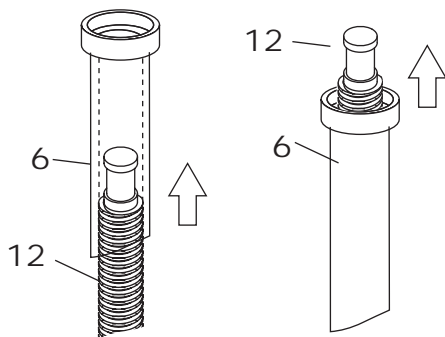
Estimated Assembly Time: 15 minutes

Tools Required for Assembly: Wrench, Hammer and punch (Not included).

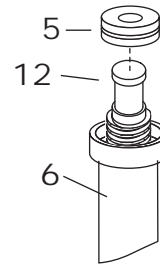
NOTE: In order to properly align all assembled pieces, **DO NOT TIGHTEN BOLTS UNTIL THE FINAL STEP.**

TUBE ASSEMBLY

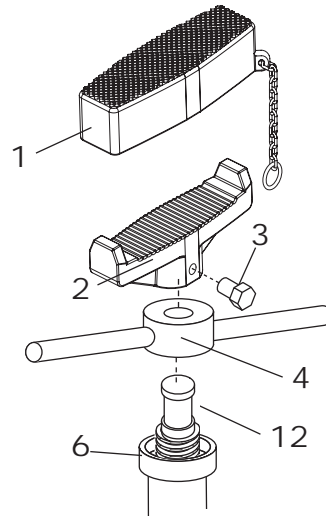
1. Slide the machined end of the Extension Screw (#12) into the bottom end of the Column Tube (#6) until it extends through the top end (Note: Top end of Column Tube (#6) has a flange).



2. Install the Bearing (#5) by sliding it over the Extension Screw (#12) that is extended through the top end of the Column Tube (#6) until it seats into the flange at the top end of the Column Tube (#6). Make sure that the Bearing (#5) is between the two bearing washers and that the grooves in the washers are facing the bearing.

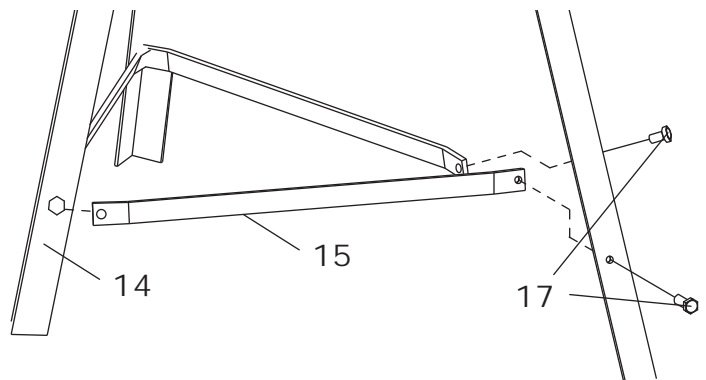


3. Assemble the Rubber Saddle Pad (#1) to the Saddle (#2). Slide the Saddle Assembly (#1 and #2) onto the Extension Screw (#12) and secure with Pin (#3). Install the Height Adjustment Handle (#4) by threading it onto the Extension Screw (#12) while holding the Extension Screw (#12) to prevent it from turning. Set the Column Tube Assembly aside until Stand Assembly - Step #6.

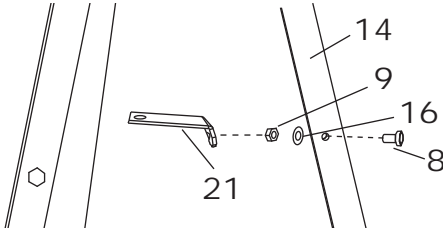


STAND ASSEMBLY

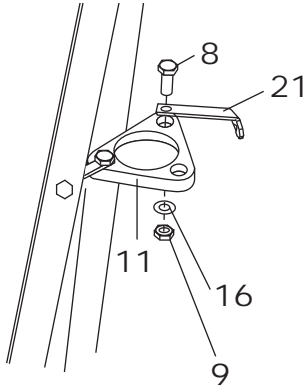
1. Loosely attach bottom braces (#15) to legs (#14) using M8x12 bolts provided (#17). **DO NOT TIGHTEN BOLTS AT THIS TIME.**



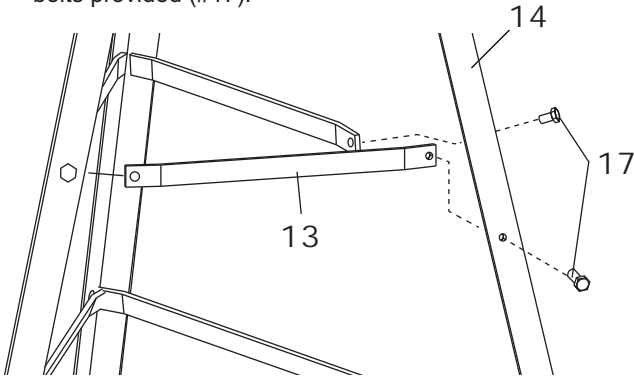
- Loosely attach Short Link (#21) to legs (#14) using M8x16 nuts, washers and bolts provided (#8, #9 and #16).



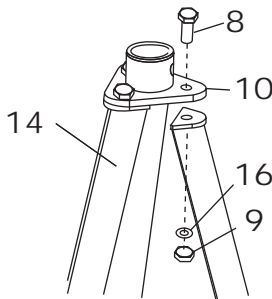
- Loosely attach Lower Plate (#11) to Short Links (#21) using bolts, washers and nuts provided (#8, #9 and #16).



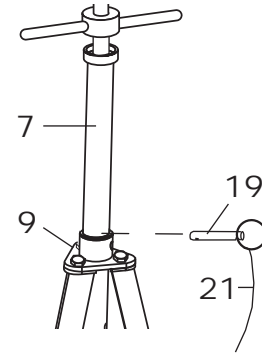
- Loosely attach Upper Link (#13) to legs (#14) using M8x12 bolts provided (#17).



- Install Upper Plate (#10) to legs (#14) with bolts, washers and nuts provided (#8, #9 and #16).



- Slide Column Tube Assembly through connecting plate (#10) and Lower Plate (#11). Use Lock Pin and Chain assembly (#7) to lock tube in position.



- With stand on level ground, and in the upright position, **SECURELY TIGHTEN ALL NUTS AND BOLTS AT THIS TIME.**

Your ATD-7440A is now ready to use.

OPERATION

! Use only on areas of the vehicle as specified by the vehicle manufacturer. Use **ONLY** on vehicles whose contact points are **compatible** with the saddles of these stands. Incompatibility may result in structural damage to the vehicle and/or stand. Structural damage to either may result in sudden and unexpected loss of load height!

To Raise Saddle

- Refer to the vehicle service manual or vehicle manufacturer for location of proper lift and support points. This device is designed to **stabilize, NOT SUPPORT** a vehicle while on an automotive lift.

! Special skills and knowledge pertaining to working on, under, and around a vehicle on an automotive lift **is required** before attempting to position/use this device.

- Locate and turn the height adjustment handle clockwise.

To Lower Saddle

! Be sure all tools and personnel are clear before lowering load.

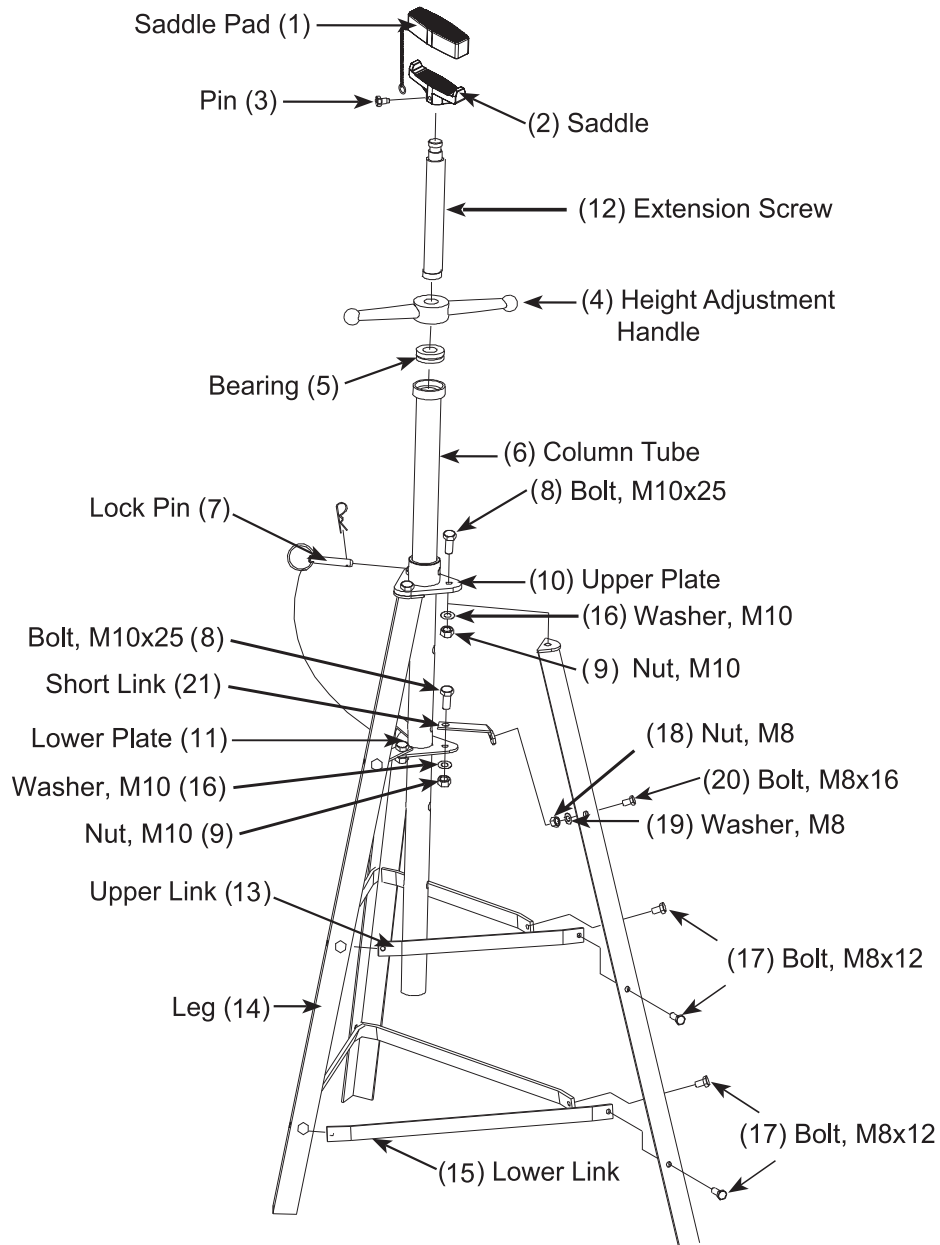
- Slowly turn height adjustment handle counterclockwise.
- Ensure vehicle is balanced and secure on the vehicle lift before removing this device.

MAINTENANCE

Regularly inspect each stand. Ensure all parts move freely. Apply grease to fitting as needed. If rust appears, sand affected area and cover with suitable utility paint.

REPLACEMENT PARTS

Not all components of this product are replacement items, but are illustrated as a convenient reference for position in the assembly sequence. When ordering parts, give model number, part number and description. Call your distributor for current pricing:



ITEM#	ORDERING PART#	DESCRIPTION	QTY
01	PRT7440A-01	SADDLE PAD	1
02	PRT7440A-02	SADDLE & PIN	1
03			
04	PRT7440A-04	HEIGHT ADJUSTMENT HANDLE	1
05	PRT7440A-05	BEARING	1
06	PRT7440A-06	COLUMN TUBE	1
07	PRT7440A-HK	LOCK PIN	1
08	PRT7440A-HK	BOLT, M10 x 25	6
09	PRT7440A-HK	NUT, M10	6
10	PRT7440A-10	UPPER PLATE	1
11	PRT7440A-11	LOWER PLATE	1

ITEM#	ORDERING PART#	DESCRIPTION	QTY
12	PRT7440A-12	EXTENSION SCREW	1
13	PRT7440A-13	UPPER LINK	3
14	PRT7440A-14	LEG	3
15	PRT7440A-15	LOWER LINK	3
16	PRT7440A-HK	WASHER, M10	6
17	PRT7440A-HK	BOLT, M8 x 12	12
18	PRT7440A-HK	NUT, M8	3
19	PRT7440A-HK	WASHER, M8	3
20	PRT7440A-HK	BOLT, M8 x 16	3
21	PRT7440A-21	SHORT LINK	3



THIS WARRANTY AND CONFIRMED RECEIPT(S) SHOULD BE RETAINED BY THE CUSTOMER AT ALL TIMES

PURCHASED FROM: _____

DATE PURCHASED: _____

INVOICE/RECEIPT NUMBER: _____

Your ATD-7440A is warranted for a period of 12 months from the original purchase date.

For a period of one (1) year from your purchase date, ATD Tools Inc. will repair or replace (at its option) without charge, your ATD product if it was purchased new and the product has failed due to a defect in material or workmanship which you experienced during normal use of the product. This limited warranty is your exclusive remedy.

To access the benefits of this warranty, contact your supplier, or point of sale directly. You may be advised to return the product under warranty, freight prepaid, to your supplier for warranty determination.

If this ATD product is altered, abused, misused, modified, or undergoes service by an unauthorized technician, your warranty will be void. We are not responsible for damage to ornamental designs you place on this ATD product and such ornamentation should not cover any warnings or instructions or they may void the warranty. This warranty does not cover scratches, superficial dents, and other abrasions to the paint finish that occur under normal use. It also does not cover normal wear items such as but not limited to brushes, batteries, drill bits, drill chucks, pads or blades.

Subject to the law in your state:

- (1) Your sole and exclusive remedy is repair or replacement of the defective product as described above.
- (2) ATD is not liable for any incidental damages, including but not limited to, lost profits and unforeseeable consequences.
- (3) The repair and replacement of this product under the express limited warranty described above is your exclusive remedy and is provided in lieu of all other warranties, express or implied. All other warranties, including implied warranties and warranties of merchantability or fitness for a particular purpose are disclaimed and, if disclaimer is prohibited, these warranties are limited to one year from your date of purchase of this product.

Some states' laws do not allow limited durations on certain implied warranties and some states' laws do not allow limitations on incidental or consequential damages. You should consult the law in your state to determine how your rights may vary.

[Affix receipt or invoice here for safe keeping]