



ATD-7425A

1000 lbs. Economy Hydraulic Telescopic Transmission Jack Owner's Manual



Features:

- Extra-wide base for stability
- Adjustable saddle tilts in both directions
- Chrome-plated ram for smooth operation and long life
- Load control chains hold transmission in place

Specifications:

- Capacity: 1000 lbs.
- Minimum Height: 51"
- Maximum Height: 70"
- Saddle Base " 9.875" x 9.875"
- Saddle Area Min.: 11.8" x 11.8"
- Expanded Saddle Area Max.: 15.35" x 15.35"
- Shipping Weight: 70.4 lbs.

SAFETY and GENERAL INFORMATION

Save these instructions. For your safety, read, understand, and follow the information provided with and on this jack before using. The owner and operator of this equipment should have an understanding of this jack and safe operating procedures before attempting to use. The owner and operator should be aware that use and repair of this product may require special skills and knowledge. Instructions and safety information should be conveyed in the operator's native language before use of this jack is authorized. If any doubt exists as to the safe and proper use of this jack, remove from service immediately.

Inspect before each use. Do not use if broken, bent, cracked or damaged parts are noted. Any jack that appears damaged in any way, or operates abnormally should be removed from service immediately. If the jack has been or suspected to have been subjected to a shock load (a load dropped suddenly, unexpectedly upon it), immediately discontinue use until jack has been checked by a factory authorized service center (contact distributor or manufacturer for list of authorized service centers). It is recommended that an annual inspection be done by qualified personnel. Labels and operator's manuals are available from manufacturer.

PRODUCT DESCRIPTION

This Hydraulic Transmission Jack is designed to be used as an aid in the removal and installation of automotive and light truck transmissions, transfer cases and transaxles. This jack is for use under a properly secured, overhead lift or a garage pit.

SPECIFICATIONS

Model	Capacity	Min. Height	Max. Height	Saddle Base	Saddle Area Min.	Exp. Saddle Area Max.
ATD-7425A	1,000 lbs.	51"	70"	9-7/8" x 9-7/8"	11.8" x 11.8"	15.35" x 15.35"

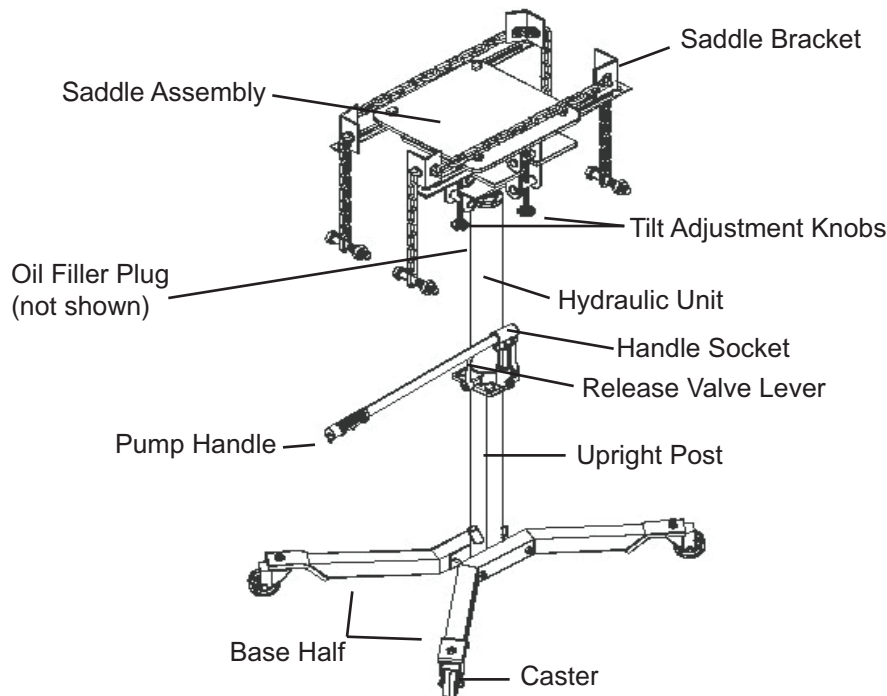


Figure 1 - ATD-7425A nomenclature

PREPARATION

Assembly

Refer to Figure 1 & 2:

1. Attach the base halves (#1) to the upright post (#2), then secure using bolt rods, washers and M12 nuts (#3, 4 & 5) provided.
2. Attach all four casters (#6) to the base halves (#1) using the washers and M12 nuts (#4 & 5) provided.
3. Place hydraulic unit (#7) on top of the upright post (#2) and secure with M10x25 bolts and washers (#8 & 9).
4. Attach saddle assembly (#10) above the ram of hydraulic unit (#7) using pin and spring pin (#11 & 12).
5. Attach all four bracket supports (#13) onto the saddle plate with bolts, flat washers and wing nuts (#14, 15, & 15a).
6. Attach saddle brackets (#16) to bracket support (#13) with provided nuts (#17)
7. Finally, attach chains (#18) with bolts, flat washers, and nuts (#19, 20, & 15a).

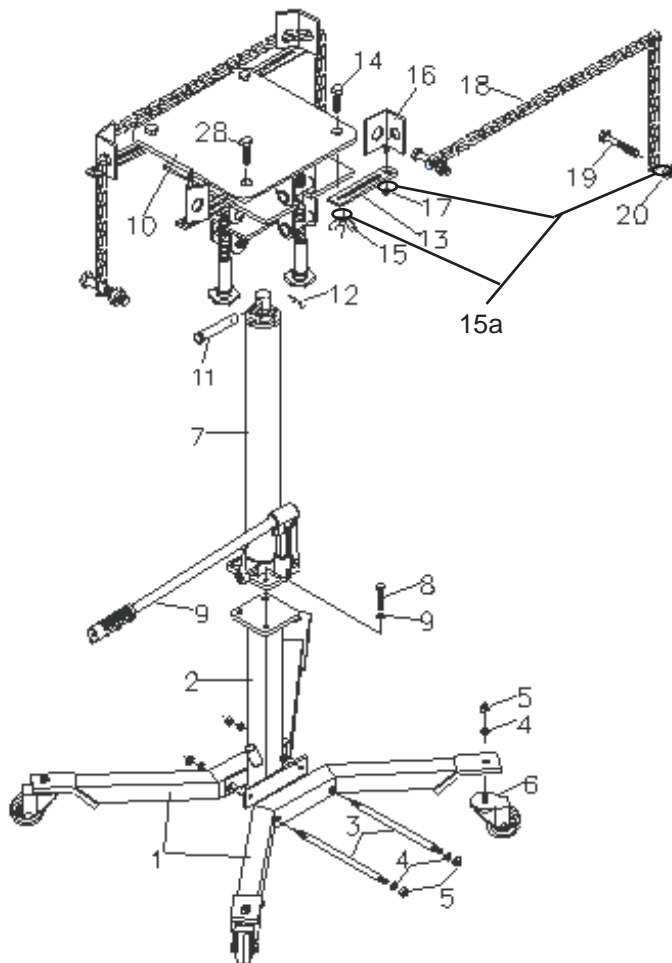


Figure 2 - ATD-7425A assembly



Ensure all fasteners are secure before use.

Before Use

1. Verify that the product and application are compatible.
2. Before using this product, read the operator's manual completely and familiarize yourself thoroughly with the product, its components and recognize the hazards associated with its use.
3. To familiarize yourself with basic operation of the jack, locate and turn release valve lever:
 - a. Clockwise until firm resistance is felt to further turning. This is the '**CLOSED**' release valve position used to **raise** the saddle.
 - b. Counterclockwise, but no more than 2 turns from the closed position. This is the '**OPEN**' release valve position used to **lower** the saddle.
4. With saddle fully lowered, remove the oil filler plug. Insert handle into handle socket and pump 6 to 8 full strokes. Check oil level. Proper oil level is just below the rim of the opening of the oil filler plug hole. Reinstall the oil filler plug.
5. Ensure that jack rolls freely. Raise and lower the unloaded saddle throughout the lifting range before putting into service to ensure the pump operates smoothly. Replace worn or damaged parts and assemblies with factory authorized replacement parts only.

Bleeding / Venting Trapped Air

With the release valve in the OPEN position (3b.) and with saddle fully lowered, locate and remove the oil filler plug. Pump 6 to 8 full strokes. This will help release any pressurized air which may be trapped within the reservoir. Reinstall the oil filler plug.

OPERATION (see Fig. 1, 2 & 3)

Raise Saddle Assembly

1. Locate and close release valve by turning lever clockwise firmly, then pump the handle until the load is contacted.
2. Follow vehicle manufacturer's recommended procedures for removing the transmission, transfer case or transaxle as outlined in vehicle service manual or repair guide.
3. Secure load with provided chains.



Ensure the transmission is centered on the jack. An off-center load could cause the jack to tip over resulting in personal injury or property damage.

Lower Saddle Assembly



*Be sure all tools and personnel are clear before lowering load. **Slowly open the release valve!** The more you turn the knob counterclockwise, the faster the load will come down. **Maintain control** of the rate of speed at which the load lowers at all times!*

1. Secure the load to the jack with provided chain.
2. *Slowly, gently*, turn release valve counterclockwise to lower load, but no more than 2 full turns until load is fully lowered.
3. Immediately transfer the load to an appropriate repair fixture.



WARNING

To avoid **crushing and related injuries**:



NEVER work on, under or around a load supported only by a hydraulic jack. **Transfer** the load immediately to a suitable workstation!



ADVERTENCIA

- Leer, comprender, y seguir las instrucciones antes de utilizar el aparato.
- El manual de instrucciones y la información de seguridad deben estar comunicado en lengua del operador antes del uso.
- No seguir estas indicaciones puede causar daños personales o materiales.



WARNING

- **Read, understand, and follow** all printed material provided with and on this product **before use**.
- **Do not** exceed rated capacity.
- Use **only** on hard, level surfaces.
- **Adequately support the vehicle before starting repairs**.
- If loaded jack must be moved, make certain that load is secured by appropriate means, is stable, is in the **lowest possible position**, is moved over a smooth, hard level surface and that the **lifting platform is level**.
- Use of this product is **limited to removal, installation, and transportation** in the lowest position of **automotive and light truck transmissions, transfer cases and transaxles**.
- Use only adapters / accessories provided by the manufacturer of this transmission jack.
- Use only adapters / accessories whose **rated capacity is greater** than the rated capacity of this jack.
- Ensure the center of gravity is **center loaded** on the saddle.
- Never use this device as a work/repair station. **Transfer the load immediately** to a suitable work station.
- **Be alert and sober** when using this product. Do not operate under the influence of drugs or alcohol.
- No alteration shall be made to this product.
- **Failure to heed** these warnings may **result in personal injury and/or property damage**.

MAINTENANCE

Important: Use only good grade hydraulic jack oil. Avoid mixing different types of fluid and **NEVER** use brake fluid, turbine oil, transmission fluid, motor oil or glycerin. Improper fluid can cause premature failure of the jack and the potential for sudden and immediate loss of load. We recommend Mobil DTE 13M or equivalent.

Adding oil

1. With saddle fully lowered set jack in its upright, level position. Remove oil filler plug.
2. Fill with oil until level with oil filler hole. Reinstall the oil filler plug.

Changing oil

For best performance and longest life, replace the complete fluid supply at least once per year.

1. With saddle fully lowered, remove the oil filler plug.
2. Lay the jack on its side and drain the fluid into a suitable container.
3. Fill with oil until level with oil filler plug hole. Reinstall oil filler plug.

Note. Dispose of hydraulic fluid in accordance with local regulations.

Lubrication

A periodic coating of light lubricating oil to pivot points, axles and hinges will help to prevent rust and assure that wheels, casters and pump assemblies move freely.

Cleaning

Periodically check the pump piston and ram for signs of rust or corrosion. Clean as needed and wipe with an oily cloth.

Note: Never use sandpaper or abrasive material on these surfaces!

Storage

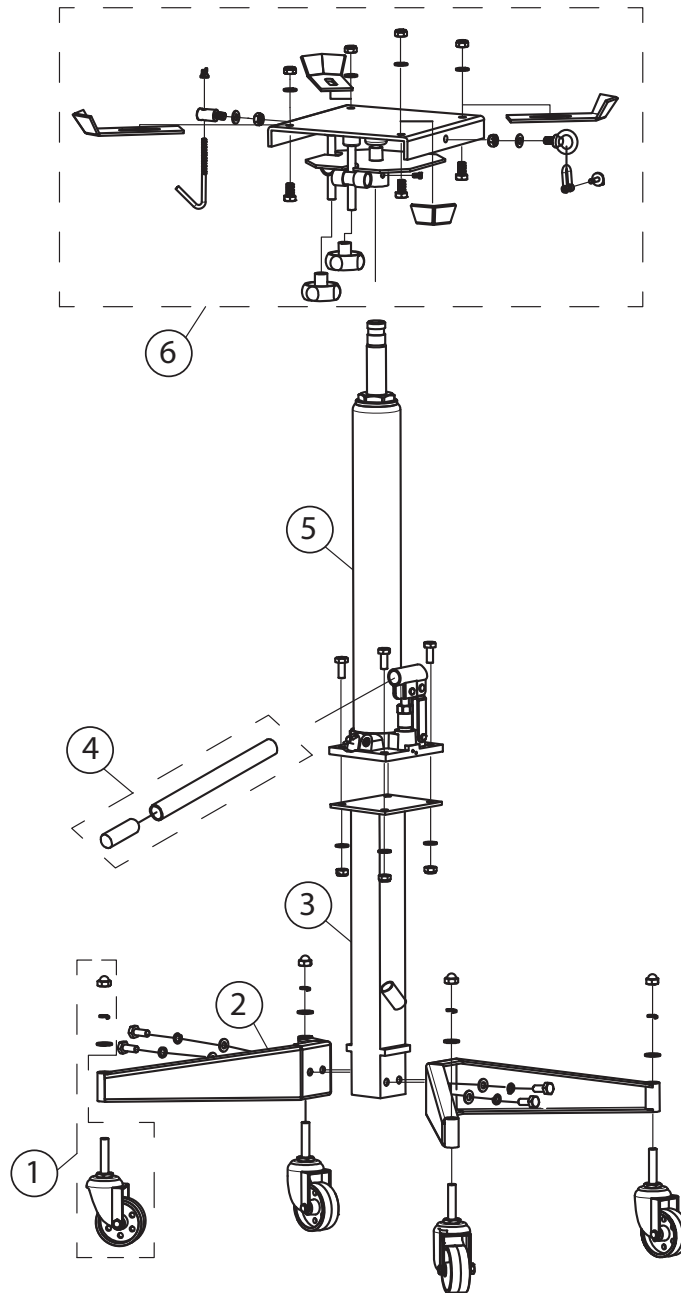
When not in use, store the jack with saddle and handle socket fully lowered.

TROUBLESHOOTING

Symptom	Possible Causes	Corrective Action
Jack will not lift load	<ul style="list-style-type: none">• Release valve not tightly closed• Load is too heavy	<ul style="list-style-type: none">• Ensure release valve tightly closed• Consider a higher capacity jack
Jack will lift, but not maintain pressure	<ul style="list-style-type: none">• Release valve not tightly closed• Hydraulic unit malfunction	<ul style="list-style-type: none">• Ensure release valve tightly closed• Discontinue use, contact Technical Service (636) 327-9050
Jack will not lower after unloading	<ul style="list-style-type: none">• Reservoir overfilled• Linkages binding• Fluid level low	<ul style="list-style-type: none">• Drain fluid to proper level• Clean and lubricate moving parts• Ensure proper fluid level
Poor lift performance	<ul style="list-style-type: none">• Fluid level low• Air trapped in system	<ul style="list-style-type: none">• Ensure proper fluid level• With ram fully retracted, remove oil filler plug to let pressurized air escape. Reinstall oil filler plug
Will not lift to full extension	<ul style="list-style-type: none">• Fluid level low	<ul style="list-style-type: none">• Ensure proper fluid level

REPLACEMENT PARTS

Not all components of the jack are replacement items, but are illustrated as a convenient reference of location and position in the assembly sequence. When ordering parts, give model number, part number and description. Contact your distributor for current pricing.



ITEM#	ORDERING PART#	PART DESCRIPTION	QTY
1	PRT7425A-01	CASTER ASSEMBLY	4
2	PRT7425A-02	LEG WELDMENT ASSEMBLY	2
3	PRT7425A-03	SUPPORTING POST	1
4	PRT7425A-04	HANDLE ASSEMBLY	1
5	PRT7425A-05	HYDRAULIC UNIT	1
6	PRT7425A-06	SADDLE ASSEMBLY	1
N/S	PRT7425A-SK	SEAL KIT	1



PREVENTATIVE MAINTENANCE RECORD LOG

DATE	MAINTENANCE PERFORMED



THIS WARRANTY AND CONFIRMED RECEIPT(S) SHOULD BE RETAINED BY THE CUSTOMER AT ALL TIMES

PURCHASED FROM: _____

DATE PURCHASED: _____

INVOICE/RECEIPT NUMBER: _____

Your ATD-7425A is warranted for a period of 12 months from the original purchase date.

For a period of one (1) year from your purchase date, ATD Tools, Inc. will repair or replace (at its option) without charge, your ATD product if it was purchased new and the product has failed due to a defect in material or workmanship which you experienced during normal use of the product. This limited warranty is your exclusive remedy.

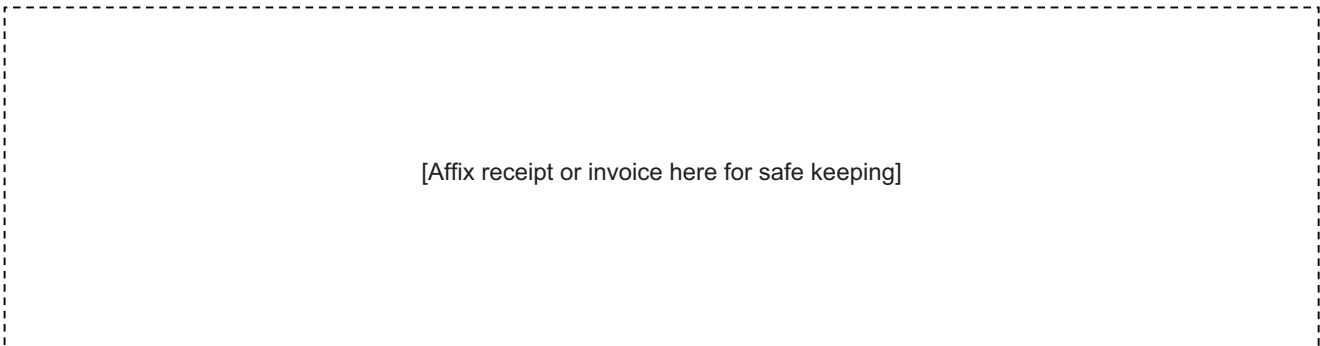
To access the benefits of this warranty, contact your supplier, or point of sale directly. You may be advised to return the product under warranty, freight prepaid, to your supplier for warranty determination.

If this ATD product is altered, abused, misused, modified, or undergoes service by an unauthorized technician, your warranty will be void. We are not responsible for damage to ornamental designs you place on this ATD product and such ornamentation should not cover any warnings or instructions or they may void the warranty. This warranty does not cover scratches, superficial dents, and other abrasions to the paint finish that occur under normal use. It also does not cover normal wear items such as but not limited to brushes, batteries, drill bits, drill chucks, pads or blades.

Subject to the law in your state:

- (1) Your sole and exclusive remedy is repair or replacement of the defective product as described above.
- (2) ATD is not liable for any incidental damages, including but not limited to, lost profits and unforeseeable consequences.
- (3) The repair and replacement of this product under the express limited warranty described above is your exclusive remedy and is provided in lieu of all other warranties, express or implied. All other warranties, including implied warranties and warranties of merchantability or fitness for a particular purpose are disclaimed and, if disclaimer is prohibited, these warranties are limited to one year from your date of purchase of this product.

Some states' laws do not allow limited durations on certain implied warranties and some states' laws do not allow limitations on incidental or consequential damages. You should consult the law in your state to determine how your rights may vary.



[Affix receipt or invoice here for safe keeping]