



# Brake Drum Handler

## ATD-7414

### Operating Instructions & Parts Manual



#### **⚠ WARNING ⚠**

**WARNING:** This product may contain chemicals, including lead, known to the State of California to cause cancer, birth defects or other reproductive harm. *Wash hands after handling.*

Made in China to ATD Tools, Inc. Specifications  
Visit us at [www.atdtools.com](http://www.atdtools.com)

Printed In China  
ATD7414\_rev\_0417

**Save these instructions.** For your safety, read and understand the information contained within. The owner and operator shall have an understanding of this product and safe operating procedures before attempting to use this product. Instructions and Safety information shall be conveyed in the operators native language before use of this product is authorized. Make certain that the operator thoroughly understands the inherent dangers associated with the use and misuse of the product. If any doubt exists as to the safe and proper use of this product as outlined in this factory authorized manual, remove from service immediately. **Inspect before each use.** Do not use if broken, bent, cracked or otherwise damaged parts are noted. If the brake drum handler has been or suspected to have been subjected to a shock load (a load dropped suddenly and unexpectedly upon it), discontinue use until checked out by an ATD authorized service center. Owners and operators of this equipment shall be aware that the use of this equipment may require special training and knowledge. It is recommended that an annual inspection be done by qualified personnel and that any missing or damaged decals, warning / safety labels or signs be replaced with Factory Authorized Replacement Parts only. Any brake drum handler that appears to be damaged in any way, is worn or operates abnormally shall be removed from service immediately.

**PRODUCT DESCRIPTION**

ATD Tools Brake Drum Handler is designed for the removal, installation, and transport of compatible brake drums and brake drum / hub assemblies. Compliance with factory standards to ensure safety, strength and stability.

**SPECIFICATIONS**

Model	Min. Height	Max. Height	Product Size (L x W x H)	Wheel Dia.	Net Weight
ATD-7414	10-5/8"	15"	61-3/8" x 19-3/4" x 17-3/4"	7-7/8"	60 lbs.

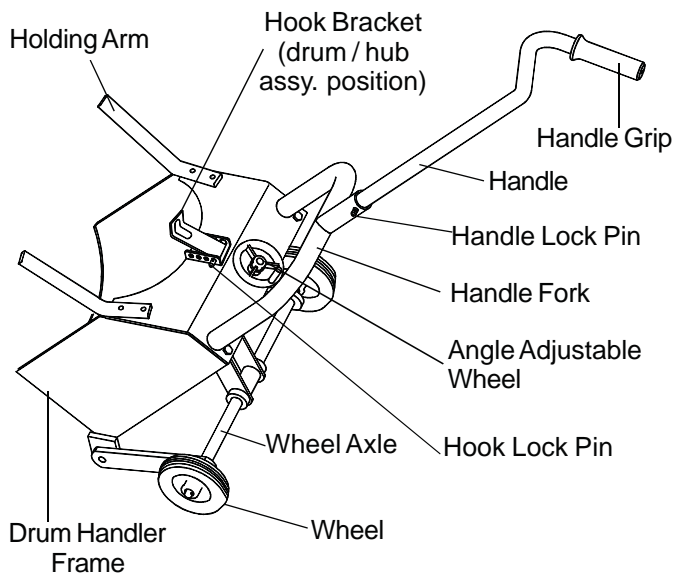


Figure 1 - Model ATD-7414 components

**⚠ WARNING**

- Study, understand, and follow all instructions provided with and on this device before use.
- Inspect before use. Do not use if bent, broken, cracked or otherwise damaged components are noted.
- Use only for removal, installation, and transport of brake drums which configuration is compatible with this device.
- Secure drum before transporting.
- Use only on hard, level surface.
- Raise and lower the brake drum slowly.
- Always wear steel-toed shoes when using this device.
- Brake drum dust is hazardous to your health.
- Consult Federal, State and local regulations concerning the safe handling of asbestos and what precautions to take when handling.
- Failure to heed these markings may result in personal injury and/or property damage.

**BEFORE USE**

1. Read and understand instructional and warning materials provided with and on this product.
2. Verify that the product and the application are compatible, if in doubt, call for Technical Assistance (888) 332-6419.
3. Thoroughly familiarize yourself with this product.
4. Inspect drum handler before each use. Do not use if bent, broken or cracked components are noted. Ensure that all parts move freely.
5. Consult the vehicle manufacturer's service manual for proper preparation and procedures for removing & installing a drum.

## ASSEMBLY (refer to figure 4 on page 4)

1. Thread the connecting block (#12) to middle rod (#6), then secure to base (#3) with M10 nut and washer (#21 & 22).
2. Secure top cover (#4) and two holding arms (#14) to base (#3) with M6x25 bolts, washers & nuts (#15, 16 & 17).
3. Attach wheel axle (#5) to base (#3) with M12x40 bolts & nuts (#23 & 24).
4. Attach wheels (#18) and washers (#19) to wheel axle (#5), then secure with cotter pins (#20).
5. Secure the axle links (#5A) of wheel axle (#5) to connecting block (#12) with M12 bolts and washers (#13 & 19).
6. Attach hook bracket (#9) to top cover (#4) and secure with lock pin (#11).
7. Attach angle adjustable wheel (#7) to middle rod (#6) with set screw (#8).
8. Attach handle (#1) to top cover (#4) with lock pin (#2).
9. Insert handle grip (#10) to handle (#1).

## OPERATION

1. Prepare the brake drum or brake drum/hub assembly for removal according to the instructions in vehicle service manual.
2. Place drum handler in a horizontal position.
3. Turn the angle adjustable wheel until the drum handler is in its lowest position.
4. Position the handler under the drum until the holding arms meet the outer surface of the drum.
5. Turn the angle adjustable wheel clockwise until the handler meets the lower surface of the drum.
6. Lower the handle to slightly lift the drum. Pull the handler and drum back, away from the brake assembly.
7. For removing/installing drum only:  
Flip the hook bracket into the hub opening of the drum as shown in figure 2.
8. For removing/installing drum and hub as an assembly:  
Position the hook bracket reverse as shown in figure 3 to allow a wheel nut to secure hook to drum/hub assembly.
9. It may be necessary to adjust the hook. Remove the hook lock pin, and move the hook bracket to any one of four hole locations.
10. Pull the drum completely away from the brake assembly. Slowly and carefully lift the handle to place the drum face down on the floor, being cautious of the transfer of load weight.

**Note:** Reverse the process to Install the brake drum back to the brake assembly. Be sure to align the drum with the studs and follow the instructions in the vehicle service manual.

## MAINTENANCE

Periodically inspect the drum handler. Ensure all parts move freely. If rust appears, sand affected area and cover with suitable utility paint. When not in use, store drum handler in upright position and in a clean, dry area.

## REPLACEMENT PARTS (see page 4)

**Available Parts:** Please refer to the parts drawing when ordering parts. Not all components of the brake drum handler are replacement items, but are illustrated as a convenient reference of location and position in the assembly sequence. When ordering parts, give model number, serial number and parts description. Call your distributor for current pricing.

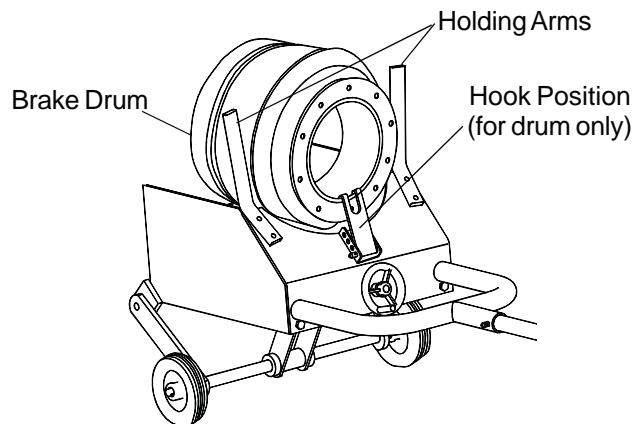


Figure 2 - Illustration for removing/installing drum

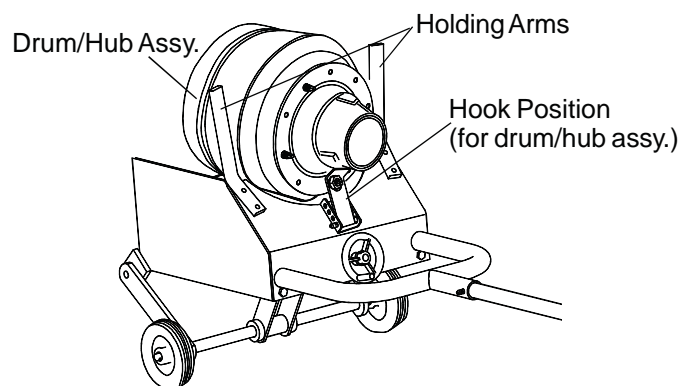


Figure 3 - Illustration for removing/installing drum/hub assembly

## Replacement Parts for ATD-7414

Item#	Part#	Description	Qty.	Item#	Part#	Description	Qty.
1	T230-00001-000	Handle	1	17	*	Nut M6	6
2	T230-07000-000	Lock Pin	1	18	T230-00005-000	Wheel 8"	2
3	N/A	Base	1	19	*	Washer	6
4	N/A	Top Cover	1	20	*	Cotter Pin	2
5	T230-04000-000	Wheel Axle	1	21	*	Washer	1
6	T230-00003-000	Middle Rod	1	22	*	Nut M10	1
7	T230-08000-000	Adjustable Wheel	1	23	*	Hex Bolt M12x40	2
8	*	Screw	1	24	*	Nut M12	2
9	T230-01000-000	Hook Bracket	1	25	*	Set Screw	2
10	T230-00006-000	Handle Grip	1	(*)	T230-09000-000	Hardware Kit	-
11	T230-07000-000	Lock Pin	1	-	Atd7414-M0	Manual	-
12	T230-05000-000	Connecting Block	1	-	Atd7414-L0	Label	-
13	T230-00004-000	Hex Bolt M12	2	Hardware Kit includes item# 8, 15, 16, 17, 19, 20, 21, 22, 23, 24 & 25			
14	T230-00002-000	Holding Arm	2				
15	*	Hex Bolt M6x25	6				
16	*	Washer	6				

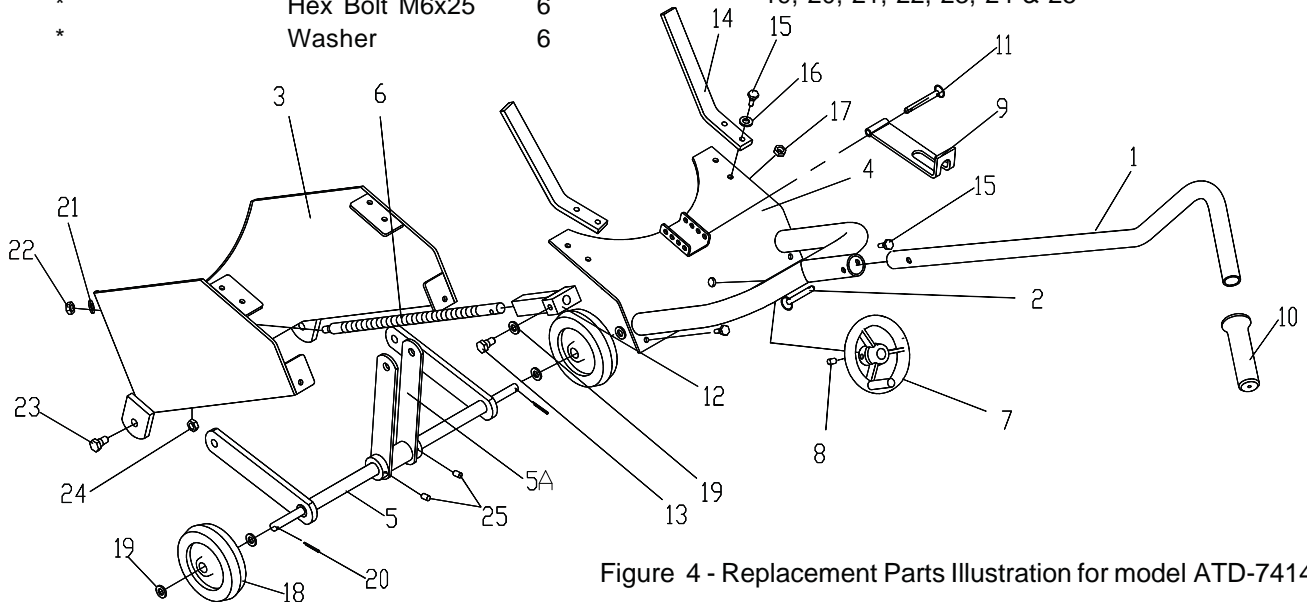


Figure 4 - Replacement Parts Illustration for model ATD-7414

## ONE YEAR LIMITED WARRANTY

For a period of one (1) year from date of purchase, **ATD Tools, Inc.** will repair or replace, at its option, without charge, any of its products which fails due to a defect in material or workmanship, or which fails to conform to any implied warranty not excluded hereby.

Performance of any obligation under this warranty may be obtained by contacting your distributor or point of sale for further instructions. Please retain your proof of purchase, as it will be needed for any claim.

Except where such limitations and exclusions are specifically prohibited by applicable law, (1) the CONSUMER'S SOLE AND EXCLUSIVE REMEDY SHALL BE THE REPAIR OR REPLACEMENT OF DEFECTIVE PRODUCTS AS DESCRIBED ABOVE, and (2) **ATD Tools, Inc.** SHALL NOT BE LIABLE FOR ANY CONSEQUENTIAL OR INCIDENTAL DAMAGE OR LOSS WHATSOEVER, and (3) THE DURATION OF ANY AND ALL EXPRESSED AND IMPLIED WARRANTIES, INCLUDING WITHOUT LIMITATION, ANY WARRANTIES OF MERCHANTABILITY AND FITNESS FOR A PARTICULAR PURPOSE, IS LIMITED TO A PERIOD OF ONE (1) YEAR FROM DATE OF PURCHASE.

Some states do not allow limitations on how long an implied warranty lasts, so the above limitation may not apply to you. Some states do not allow the exclusion or limitation of incidental or consequential damages, so the above limitation or exclusion may not apply to you. This warranty gives you specific legal rights, and you may also have other rights which vary from state to state.