



ATD-7395A 5-Ton Air/Hydraulic Long Chassis Service Jack Owner's Manual



Specifications

- Capacity: 5-Ton
- Min. Height: 5.91" (150 mm)
- Max. Height: 26.97" (685 mm)
- Handle Length: 45.28" (1150.11mm)
- Saddle Diameter: 5.12" (130.04mm)
- Size: 64.49" x 14.41" x 7.87" (1638.04 x 366.01 x 199.89mm)
- Net Weight: 218.26 lbs. (99 kg)

Features:

- Designed for heavy-duty lifting applications
- Welded pump for increased strength
- Chrome plated ram with wiper seals for superior leak protection
- Convenient foot pedal for no load lifts
- Handle can be locked in 3 positions
- Roller bearing wheels and ball bearing casters
- Overload and bypass safety valves
- Meets ANSI/ASME PALD 2014 and CE standards

NOTE: BEFORE USING THIS JACK, PLEASE READ THIS MANUAL, UNDERSTAND ITS OPERATING PROCEDURES, SAFETY WARNINGS AND MAINTENANCE INSTRUCTIONS.

Carefully inspect all components for shipping damage. If shipping damage is found, notify carrier at once. The carrier is responsible for any damage resulting from shipment.

1. SAFETY

To avoid personal injury or property damage, follow all safety precautions. We cannot be responsible for injury or damage resulting from unsafe and incorrect product use, system operation, or lack of maintenance.



WARNING indicates a potential danger that requires correct action to avoid personal injury.



IMPORTANT indicates correct action to prevent damage or equipment failure.



WARNING:

- The hydraulic equipment operator must be a qualified operator with proper training and experience with hydraulic equipment. Lack of knowledge in any of these areas can lead to equipment damage or personal injury.
- Read, understand, and follow all instructions before operating this jack.
- Inspect the jack before each use. Do not use jack if damaged, altered, modified, leaking hydraulic fluid or with missing or loose components.
- To avoid personal injury, never modify or weld hydraulic equipment.
- Never lift more than the rated capacity of the jack, overloading causes equipment failure and possible personal injury.
- The jack is a load lifting device, not a load holding device. Once the load has been positioned, it must be supported mechanically. Never work under, or around a load solely supported by hydraulic means.
- Never put unbalanced or off-center loads on the jack saddle. Do not use saddle adapters or saddle extenders between the stock lifting saddle and the load. incorrect loading can result in equipment failure.
- Do not move or dolly the vehicle while on the jack.
- Always wear safety glasses and/or other protective equipment that meet or exceed ANSI Z87.1 and OSHA standards.
- Use the jack ONLY on hard, level surfaces capable of sustaining the load.



IMPORTANT

- Keep the hydraulic jack clean at all time.
- When the hydraulic jack is not in use, release the valve and lower lift arm.
- Use hydraulic equipment in normal operating temperatures. Do not use equipment in temperatures of 150°F (65° C) or higher. Overheating will soften seals and weakens hose material, resulting in oil leaking or other equipment failure.

2. DESCRIPTION

This hydraulic jack is designed for garages, equipment dealers, commercial service and more.

3. SPECIFICATIONS

• Capacity (Ton):	5-Ton
• Lifting Range:	5.91" - 26.97" (150mm-685mm)
• Handle Length:	45.28" (1150mm)
• Saddle Diameter:	5.12" (130mm)
• Size:	64.49" x 14.41" x 7.87" (1638 x 366 x 200mm)
• Weight (lbs.):	218.26 lbs. (99kg)
• Air Pressure:	101-145 psi

3-1. SETUP

PLEASE REFER TO THE EXPLODED VIEW DRAWING IN THIS MANUAL IN ORDER TO IDENTIFY PARTS.

1. Loosen the bolt #58 on the handle socket #54.
2. Install the handle assembly #59 in the handle socket #54; align the main handle tube with the largest hole in the handle socket and the Control Rod with the smaller hole in the handle socket. When you install the handle in the socket, please make sure the Control Rod is in the down/lock position (position B).
3. Once the main handle tube and Control Rod are aligned with their respective holes in the handle socket, push the handle assembly in the handle socket so the end of the handle tube engages the release valve mechanism in the bottom of the handle socket and the Control Rod engages one of the three (3) locking holes in the jack frame.
4. Disengage the Control Rod by pulling up on the lever (Position A) and engaging the lever with the slot in the top of the handle assembly. The handle assembly should be free to pump up and down.

IMPORTANT

After handle assembly into the handle socket, please turn the release valve knob at the top of the handle left and right to see if the release valve u-joint in front and below the handle socket is rotating simultaneously with the turning of the knob.

4. BLEEDING AIR

Before Use: Air may accumulate within a jack during shipment or after prolonged use; this air can cause the jack to respond "weak" or not work. Use the instructions below to bleed the air from the jack:

4-1. With saddle fully lowered, locate and remove the oil filler plug/screw. Pump handle 6 to 8 full strokes. Ensure the oil level is within 3/16" from the inner cylinder as viewed from the oil filler hole. Reinstall the oil filler plug/screw. Close release valve by turning the handle clockwise until firm resistance is felt.

4-2. Close the release valve knob by turning it in a clockwise direction until it stops. Depress the air valve lever about 10 times and hold it down on the last depression. If the jack's lift arm will not rise, repeat steps 1 and 2 again.

4-3. If depressing the air valve will not raise the lift arm, close the release valve knob by turning it clockwise until it stops. Depress the foot pedal to raise the lift arm to its maximum height. Depress the air valve while quickly turning the release valve 2 to 3 revolutions in a counterclockwise direction. The lift arm should lower rapidly. Close the release valve knob by turning it clockwise direction until it stops. Depress the air valve to see if lift arm will rise. If not, repeat step 3 several times to achieve maximum performance.

5. OPERATING INSTRUCTIONS (Refer to illustrations above)

Control rod in Position A: Allows you to pump the jack using the handle.

Control rod in Position B: Locks the handle in place in three different positions.

5-1. Connect the shop air supply to the jack. (Shop air should be clean, dry, and regulated at 101-145 psi.)

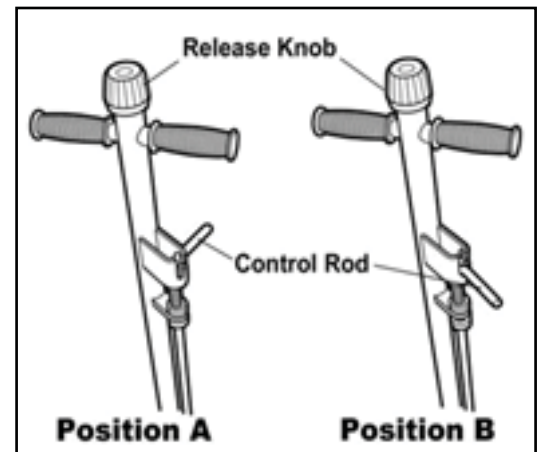
5-2. Turn release knob completely counterclockwise, and place the control rod in Position A.

5-3. Position the jack under the vehicle using the manufacturer's recommended lifting points on the chassis.

The jack must be free to roll without any obstructions while lifting or lowering the vehicle. The wheels of the vehicle must be in the straight ahead position, with the emergency brake released.

5-4. Turn the release knob on the jack completely clockwise Operate the air valve, pump the jack handle. Or pump the foot pedal until the saddle touches the vehicle. Check the placement of the saddle lugs. Finish lifting the vehicle.

5-5. Place approved safety stands under the vehicle at points that will provide stable support Before working on the vehicle, SLOWLY lower the vehicle onto the safety stands by turning the release knob counterclockwise.



6. MAINTENANCE

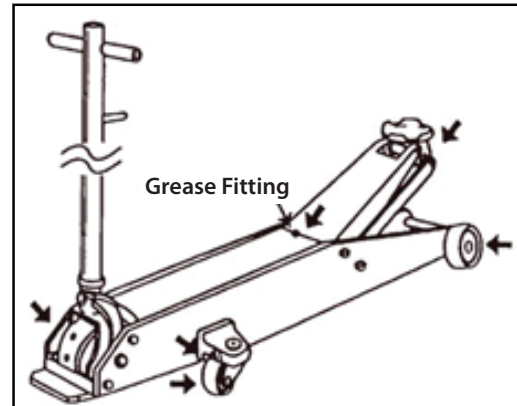
IMPORTANT: Dirt is the greatest single cause of failure in hydraulic units.

Keep the service jack clean and well lubricated to prevent foreign matter from entering the system. If the jack has been exposed to rain, snow, sand or grit, it must be cleaned before it is used.

- Store the jack in a well-protected area where it will not be exposed to corrosive vapors, abrasive dust, or any other harmful elements.
- Refer to the illustration, and regularly (at least once per month) lubricate the moving parts shown.
- Add grease to upper arm grease fitting (shown) every three months.
- If necessary, add approved anti-wear hydraulic jack oil. **IMPORTANT:** The use of alcohol, hydraulic brake fluid, detergent motor oil, or transmission oil could damage the seals and result in jack failure.
- Inspect the jack before each use. Take corrective action if any of the following problems are found:

- Cracked or damaged housing
- Excessive wear, bending, or other damage
- Leaking hydraulic fluid
- Scored or damaged piston rod
- Loose hardware
- Modified or altered equipment

IMPORTANT: Do not adjust the safety valve screw assembly (#44, H, I, J & K on the parts drawing).



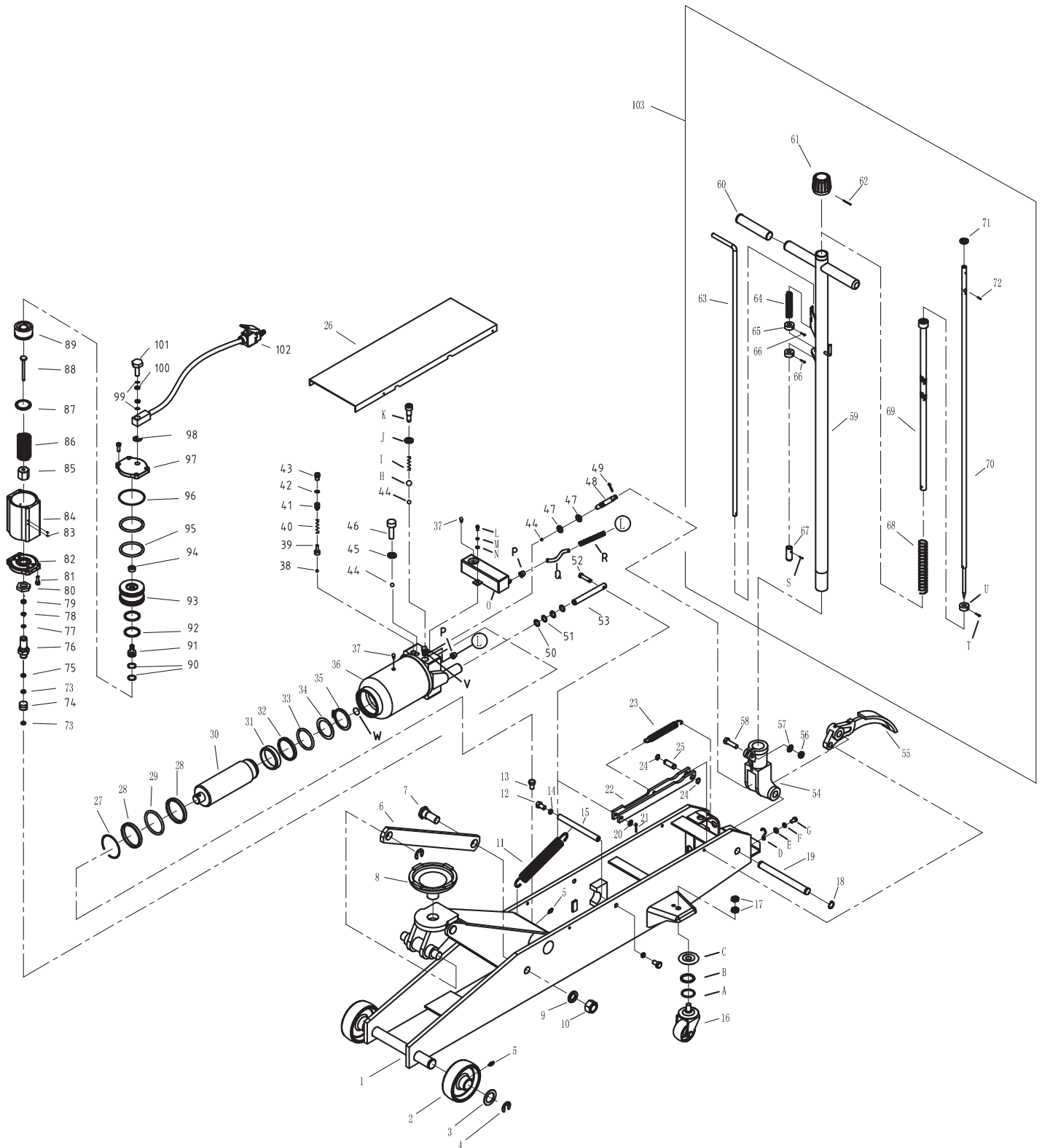
7. TROUBLESHOOTING

Repair procedures must be performed in a dirt-free environment by qualified personnel who are familiar with this equipment.

Trouble	Cause	Solution
Jack does not lift	1. Release valve is open.	1. Close release valve.
	2. Low/no oil in reservoir.	2. Fill with Oil and bleed system.
	3. Air-locked system.	3. Bleed system.
	4. Load is above capacity of jack.	4. Use correct equipment
	5. Delivery valve and/or bypass valve not working correctly.	5. Clean to remove dirt or foreign matter.
	6. Packing worn out or defective.	6. Install seal kit
	7. Leak in airline.	7. Locate leak, tighten connections or replace hose.
	8. Inadequate air pressure.	8. Set air pressure to 101-145psi
Jack lifts only partially	1. Too much or not enough oil.	1. Check Oil level
Jack advances slowly	1. Pump not working correctly.	1. Install seal kit, or replace power unit.
Jack lifts load, but doesn't hold	1. Cylinder packing is leaking.	1. Install seal kit
	2. Valve not working correctly (suction, delivery, release, or bypass).	2. Inspect valves. Clean and repair seat surfaces.
	3. Air-locked system.	3. Bleed system.
Jack leaks oil	1. Worn or damaged seals.	1. Install seal kit.
Jack will not retract	1. Release valve is closed.	1. Open or clean release valve.
Air motor won't run or runs erratically	1. Leak in airline.	1. Locate leak, tighten connections, or replace hose.
	2. Inadequate air pressure.	2. Set air pressure to 101-145psi



ATD-7395A



ORDERING PART#	DESCRIPTION
PRT7390A-01	SADDLE
PRT7395A-02	HANDLE KIT
PRT7390A-03	CASTER
PRT7390A-04	WHEEL KIT
PRT7390A-05	LIFT ARM SPRING KIT
PRT7390A-06	HANDLE RETURN SPRING
PRT7395A-07	HYDRAULIC UNIT
PRT7395A-08	CYLINDER SEAL KIT
PRT7395A-09	AIR MOTOR
PRT7395A-10	AIR MOTOR SEAL KIT
PRT7395A-11	AIR HOSE ASSEMBLY

ITEM#	ORDERING PART#	DESCRIPTION
64	N/A	SPRING
65	N/A	WASHER
66	N/A	BOLT
67	N/A	ROD JOINT
68	N/A	SPRING
69	N/A	UNIVERSAL JOINT ASSEMBLY
70	N/A	LINKAGE ROD
71	N/A	WASHER
72	N/A	PIN
73	PRT7395A-09 / PRT7395A-10	COPPER WASHER
74	PRT7395A-09	OIL VALVE BODY
75	PRT7395A-09 / PRT7395A-10	NYLON GASKET
76	PRT7395A-09	PUMP CYLINDER
77	PRT7395A-09 / PRT7395A-10	OIL SEAL
78	PRT7395A-09 / PRT7395A-10	SEALING WASHER
79	PRT7395A-09 / PRT7395A-10	COPPER WASHER
80	PRT7395A-09	NUT
81	PRT7395A-09	BOLT
82	PRT7395A-09	FRONT COVER
83	PRT7395A-09	STEEL BALL
84	PRT7395A-09	AIR PUMP HOUSING
85	PRT7395A-09	NUT
86	PRT7395A-09 / PRT7395A-10	SPRING
87	PRT7395A-09 / PRT7395A-10	WASHER
88	PRT7395A-09	CYLINDER PUMP PLUNGER
89	PRT7395A-09	PISTON BODY A
90	PRT7395A-09 / PRT7395A-10	O-RING
91	PRT7395A-09	AIR RELEASE ROD
92	PRT7395A-09 / PRT7395A-10	O-RING
93	PRT7395A-09	PISTON BODY B
94	PRT7395A-09 / PRT7395A-10	O-RING
95	PRT7395A-09 / PRT7395A-10	O-RING
96	PRT7395A-09 / PRT7395A-10	O-RING
97	PRT7395A-08	REAR COVER
98	PRT7395A-11	SNAP RING
99	PRT7395A-11	O-RING
100	PRT7395A-11	O-RING
101	PRT7395A-11	BOLT
102	PRT7395A-11	AIR VALVE ASSEMBLY
103	PRT7395A-02	HANDLE KITS
A	PRT7390A-03	STEEL BALL
B	PRT7390A-03	STEEL BALL
C	PRT7390A-03	BALL SUPPORT
D	N/A	RETAINING RING
E	N/A	WASHER
F	N/A	WASHER
G	N/A	BOLT
H	PRT7395A-07	STEEL BALL
I	PRT7395A-07	SPRING
J	PRT7395A-07 / PRT7395A-08	COPPER WASHER
K	PRT7395A-07	BOLT
L	PRT7395A-07 / PRT7395A-08	BOLT
M	PRT7395A-07 / PRT7395A-08	WASHER
N	PRT7395A-07	WASHER
O	PRT7395A-07	OIL BOX ASSEMBLY
P	PRT7395A-07	NUT
Q	PRT7395A-07	HOUSE
R	PRT7395A-07	SPRING
S	N/A	PIN
T	N/A	PIN
U	N/A	WASHER
V	N/A	FITTING
W	N/A	IRON

ITEM#	ORDERING PART#	DESCRIPTION
1	N/A	FRAME
2	PRT7390A-04	FRONT WHEEL
3	PRT7390A-04	WASHER
4	PRT7390A-04	SNAP RING
5	PRT7390A-04	GREASE FITTING
6	N/A	ROD LINK
7	N/A	BOLT
8	PRT7390A-01	SADDLE
9	N/A	LOCK WASHER
10	N/A	NUT
11	PRT7390A-05	SPRING
12	PRT7390A-05	BOLT
13	N/A	BOLT
14	PRT7390A-05	SNAP RING
15	PRT7390A-05	SHAFT
16	PRT7390A-03	CASTER
17	PRT7390A-03	NUT
18	N/A	SNAP RING
19	N/A	SHAFT
20	N/A	WASHER
21	N/A	PIN
22	N/A	CONNECTION BAR
23	PRT7390A-06	SPRING
24	N/A	SNAP RING
25	N/A	SHAFT
26	N/A	COVER BOARD
27	PRT7395A-07	SNAP RING
28	PRT7395A-07	WASHER
29	PRT7395A-07 / PRT7395A-08	O-RING
30	PRT7395A-07	PISTON ROD
31	PRT7395A-07	PISTON RING
32	PRT7395A-07 / PRT7395A-08	SEALING WASHER
33	PRT7395A-07 / PRT7395A-08	O-RING
34	PRT7395A-07	O-RING RETAINER
35	PRT7395A-07	SNAP RING
36	PRT7395A-07	OIL CYLINDER ASSEMBLY
37	PRT7395A-07 / PRT7395A-08	OIL FILLER PLUG
38	PRT7395A-07	STEEL BALL
39	PRT7395A-07	BALL SEAT
40	PRT7395A-07	SPRING
41	PRT7395A-07	SCREW
42	PRT7395A-07 / PRT7395A-08	SEALING WASHER
43	PRT7395A-07	BOLT
44	PRT7395A-07	STEEL BALL
45	PRT7395A-07 / PRT7395A-08	COPPER WASHER
46	PRT7395A-07	BOLT
47	PRT7395A-07 / PRT7395A-08	O-RING
48	PRT7395A-07	RELEASE VALVE ROD
49	PRT7395A-07	PIN
50	PRT7395A-07 / PRT7395A-08	O-RING
51	PRT7395A-07 / PRT7395A-08	SNAP RING
52	PRT7395A-07	PIN
53	PRT7395A-07	CYLINDER PUMP PLUNGER
54	N/A	HANDLE SOCKET
55	N/A	PEDAL
56	N/A	NUT
57	N/A	WASHER
58	N/A	BOLT
59	N/A	HANDLE
60	N/A	SLEEVE
61	N/A	KNOB
62	N/A	PIN
63	N/A	CONTROL ROD

Not all components of the jack are replacement items, but are illustrated as a convenient reference of parts location. Call your distributor for current pricing. When ordering parts, give part number and parts description.



WARRANTY

1 YEAR LIMITED WARRANTY

THIS WARRANTY AND CONFIRMED RECEIPT(S) SHOULD BE RETAINED BY THE CUSTOMER AT ALL TIMES

PURCHASED FROM: _____

DATE PURCHASED: _____

INVOICE/RECEIPT NUMBER: _____

Your ATD-7395A is warranted for a period of 12 months from the original purchase date.

For a period of one (1) year from your purchase date, ATD Tools Inc. will repair or replace (at its option) without charge, your ATD product if it was purchased new and the product has failed due to a defect in material or workmanship which you experienced during normal use of the product. This limited warranty is your exclusive remedy.

To access the benefits of this warranty, contact your supplier, or point of sale directly. You may be advised to return the product under warranty, freight prepaid, to your supplier for warranty determination.

If this ATD product is altered, abused, misused, modified, or undergoes service by an unauthorized technician, your warranty will be void. We are not responsible for damage to ornamental designs you place on this ATD product and such ornamentation should not cover any warnings or instructions or they may void the warranty. This warranty does not cover scratches, superficial dents, and other abrasions to the paint finish that occur under normal use. It also does not cover normal wear items such as but not limited to brushes, batteries, drill bits, drill chucks, pads or blades.

Subject to the law in your state:

- (1) Your sole and exclusive remedy is repair or replacement of the defective product as described above.
- (2) ATD is not liable for any incidental damages, including but not limited to, lost profits and unforeseeable consequences.
- (3) The repair and replacement of this product under the express limited warranty described above is your exclusive remedy and is provided in lieu of all other warranties, express or implied. All other warranties, including implied warranties and warranties of merchantability or fitness for a particular purpose are disclaimed and, if disclaimer is prohibited, these warranties are limited to one year from your date of purchase of this product.

Some states' laws do not allow limited durations on certain implied warranties and some states' laws do not allow limitations on incidental or consequential damages. You should consult the law in your state to determine how your rights may vary.

[Affix receipt or invoice here for safe keeping]