



Hydraulic Air/Manual Service Jack

Operating Instruction & Parts Manual

Model Number
ATD-7392

Capacity
20 Ton



⚠ WARNING ⚠

WARNING: This product may contain chemicals, including lead, known to the State of California to cause cancer, birth defects or other reproductive harm. *Wash hands after handling.*

Made in Taiwan to ATD Tools, Inc. Specifications
Visit us at www.atdtools.com

Printed In Taiwan
ATD7392_rev_0417

Save these instructions. For your safety, read and understand the information contained within. The owner and operator shall have an understanding of this jack and safe operating procedures before attempting to use. Instructions and Safety information shall be conveyed in the operators native language before use of this jack is authorized. Make certain that the operator thoroughly understands the inherent dangers associated with the use and misuse of the jack. If any doubt exists as to the safe and proper use of this jack as outlined in this factory authorized manual, immediately remove from service. **Inspect before each use.** Do not use if broken, bent, cracked or otherwise damaged parts are noted. Any jack that appears to be damaged in any way, is worn or operates abnormally shall be removed from service immediately until such time as repairs can be made. If the jack has been or suspected to have been subjected to a shock load (a load dropped suddenly, unexpectedly upon it), discontinue use until checked by a factory authorized service center. Owners and operators of this jack shall be aware that its use and subsequent repair may require special training and knowledge. It is recommended that an annual inspection be done by qualified personnel and that any missing or damaged parts, decals, warning / safety labels or signs be replaced with factory authorized replacement parts only. Replacement parts, labels and Owner's Manual are available from manufacturer (see page 6, Replacement Parts).

PRODUCT DESCRIPTION

ATD Tools Air Actuated Hydraulic Service Jack is designed to lift, but not sustain, rated capacity loads. Always reference the Product Label and Owner's Manual to establish rated capacity. Model ATD-7392 is designed to be used in conjunction with jack stands. **Intended use:** To lift one axle of a vehicle for the purpose of service and/or repair of vehicle components. After lifting, loads must be immediately supported by appropriately rated jack stands. Check with vehicle owner's manual for proper lift points. Air actuated operation requires at least 7.8 CFM @ 90 - 175 psi. This jack complies with applicable **ASME / ANSI** Standards.

DO NOT USE AS A WHEEL DOLLY!

SPECIFICATIONS

Model	Capacity	Jack Size (L X W X H)	Min. Height	Max. Height
ATD-7392	20 Ton	62-1/4" x 20-3/8" x 11-3/4"	7-1/2"	26"

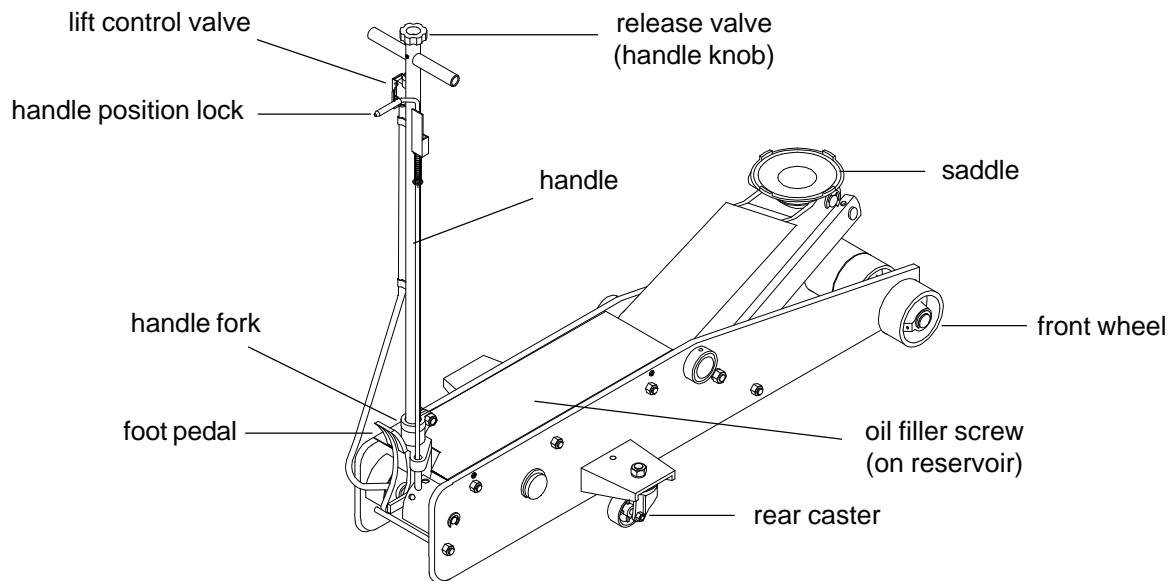


Figure 1 - Model ATD-7392 nomenclature

BEFORE USE

1. Verify that the product and the application are compatible, if in doubt call for Technical Assistance (888) 332-6419.
2. Before using this product, read the owners manual completely and familiarize yourself thoroughly with the product, its components and recognize the hazards associated with its use and misuse.
3. Locate and open the release valve (counter-clockwise no more than 2 full turns).
4. With saddle fully lowered, locate and remove the oil filler plug. Insert the handle into the handle fork, then pump 6 to 8 full strokes. This will help release any pressurized air which may be trapped within the reservoir. Ensure the oil level is no less than .4" below the oil filler screw hole. Reinstall the oil filler screw.
5. Check to ensure that the jack rolls freely (if so equipped) and that the pump operates smoothly before putting into service. Replace worn or damaged parts and assemblies with Factory Authorized Replacement Parts only. (See Replacement Parts Section). Lubricate as instructed in Maintenance Section.
6. Inspect before each use. Do not use if bent, broken or cracked components are noted.

ASSEMBLY

Always secure the handle into the handle fork by means of the bolt and lock washer provided. Tighten securely to prevent accidental removal of handle while in use. Please familiarize yourself with the illustrations in the owners manual. Know your jack and how it operates before attempting to use.

OPERATION

Lifting

1. Place vehicle in park, with emergency brake on and wheels securely chocked to prevent inadvertent vehicle movement.
2. Locate and close release valve by turning handle or handle knob clockwise, firmly. Position jack saddle under lift point.
3. Verify lift point, then use foot pedal to contact lift point. To lift, pump handle or squeeze the lift control valve until load reaches desired height.
4. Transfer the load immediately to appropriately rated jack stands.

⚠ WARNING

Study, understand, and follow all instructions provided with and on this device. Do not exceed rated capacity. This is a lifting device only. After lifting, immediately transfer the load to appropriately rated vehicle stands. Never work on, under, or around a load supported by this device. Use only on hard, level surfaces capable of sustaining rated capacity loads. Do not move or dolly loads with this device. Do not modify this device. Failure to heed these markings may result in personal injury and/or property damage.

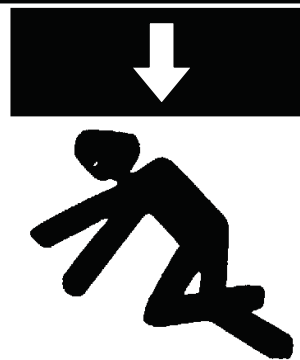
Lowering

1. Raise load enough to clear jack stands, then carefully remove the jack stands.
2. **Slowly** turn handle counter-clockwise, but no more than 2 full turns. If load fails to lower, carefully transfer the load to another lifting device and jack stands. Carefully remove affected jack and then stands. Carefully remove primary jack, again turning the release valve, slowly, no more than 2 full turns.

⚠ CAUTION

Be sure all tools and personnel are clear before lowering load. Dangerous dynamic shock loads are created by quickly opening and closing the release valve as the load is being lowered. The resulting overload may cause hydraulic system failure which could cause severe personal injury and/or property damage.

⚠ WARNING



⚠ To avoid crushing and related injuries: NEVER work on, under or around a load supported only by a jack. ALWAYS use adequately rated support devices such as jack stands.

MAINTENANCE

Important: Use only a good grade hydraulic jack oil. Avoid mixing different types of fluid and **Never** use brake fluid, turbine oil, transmission fluid, motor oil or glycerin. Improper fluid can cause premature failure of the jack and the potential for sudden and immediate loss of load.

Adding oil

1. With saddle fully lowered and pump piston fully depressed, set jack in its upright, level position. Locate and remove oil filler screw.
2. Fill until oil is level with the inner cylinder as seen from the opening of the filler screw hole (.4"). Reinstall oil filler screw.

Changing oil

For best performance and longest life, replace the complete fluid supply at least once a year.

1. With saddle fully lowered and pump piston fully depressed, remove the oil filler screw.
2. Lay the jack on its side and drain the fluid into a suitable container.
Note: Dispose of hydraulic fluid in accordance with local regulations.
3. Fill with good quality jack oil. We recommend Mobil DTE 13 or equivalent, reinstall oil filler screw.

Lubrication

1. When used on a daily basis, air actuated units should be internally lubricated before each use. Use **Only** good quality air tool lubricant. If no in-line oiler is used, pour a teaspoon of air tool oil into the inlet of the air control valve. Simply operate the jack using the air feature in order to fully distribute the oil.
2. A coating of light lubricating oil to pivot points, axles and hinges will help to prevent rust and assure that wheels, casters and pump assemblies move freely.
3. Periodically check the pump piston and ram for signs of rust or corrosion. Clean as needed and wipe with an oily cloth.

Never use sandpaper or abrasive material on these surfaces!

4. When not in use, store the jack with pump piston and ram fully retracted.

TROUBLESHOOTING

Symptom	Possible Causes	Corrective Action
Jack will not lift load	<ol style="list-style-type: none"> 1. Release valve not tightly closed 2. Overload condition 3. Air supply inadequate 	<ol style="list-style-type: none"> 1. Ensure release valve tightly closed 2. Remedy overload condition 3. Ensure adequate air supply
Jack bleeds off after lift	<ol style="list-style-type: none"> 1. Release valve not tightly closed 2. Hydraulic unit malfunction 	<ol style="list-style-type: none"> 1. Ensure release valve tightly closed 2. Contact Technical Service (888) 332-6419
Jack will not lower after unloading	<ol style="list-style-type: none"> 1. Reservoir overfilled 2. Linkages binding 	<ol style="list-style-type: none"> 1. Drain fluid to proper level 2. Clean and lubricate moving parts
Poor lift performance	<ol style="list-style-type: none"> 1. Fluid level low 2. Air trapped in system 	<ol style="list-style-type: none"> 1. Ensure proper fluid level 2. With ram fully retracted, remove oil filler screw to let pressurized air escape, reinstall oil filler screw
Will not lift to full extension	<ol style="list-style-type: none"> 1. Fluid level low 	<ol style="list-style-type: none"> 1. Ensure proper fluid level

REPLACEMENT PARTS (See attached exploded drawing), model ATD-7392

ITEM#	ORDERING PART#	PART DESCRIPTION	QTY
1	G55-1-1000-101	POWER UNIT WITHOUT AIR MOTOR	1
2	G55-3-2000-108	AIR MOTOR ASSEMBLY	1
3	G62S-03300-200	OIL FILLER PLUG	1
4	G100-90004-K02	FRONT WHEEL	2
5	G55-4-5000-200	REAR CASTER ASSEMBLY	2
6	G55-6-4201-106	SADDLE	1
7	521-2-0370-104	RETURN SPRING	1
8	421-3-9004-101	FOOT PEDAL	1
9	G55-4-2300-106	HANDLE ASSEMBLY	1
10	G55-6-4120-106	COVER PLATE	1
11	N/A	LABEL	1
12	N/A	OWNER'S MANUAL	1

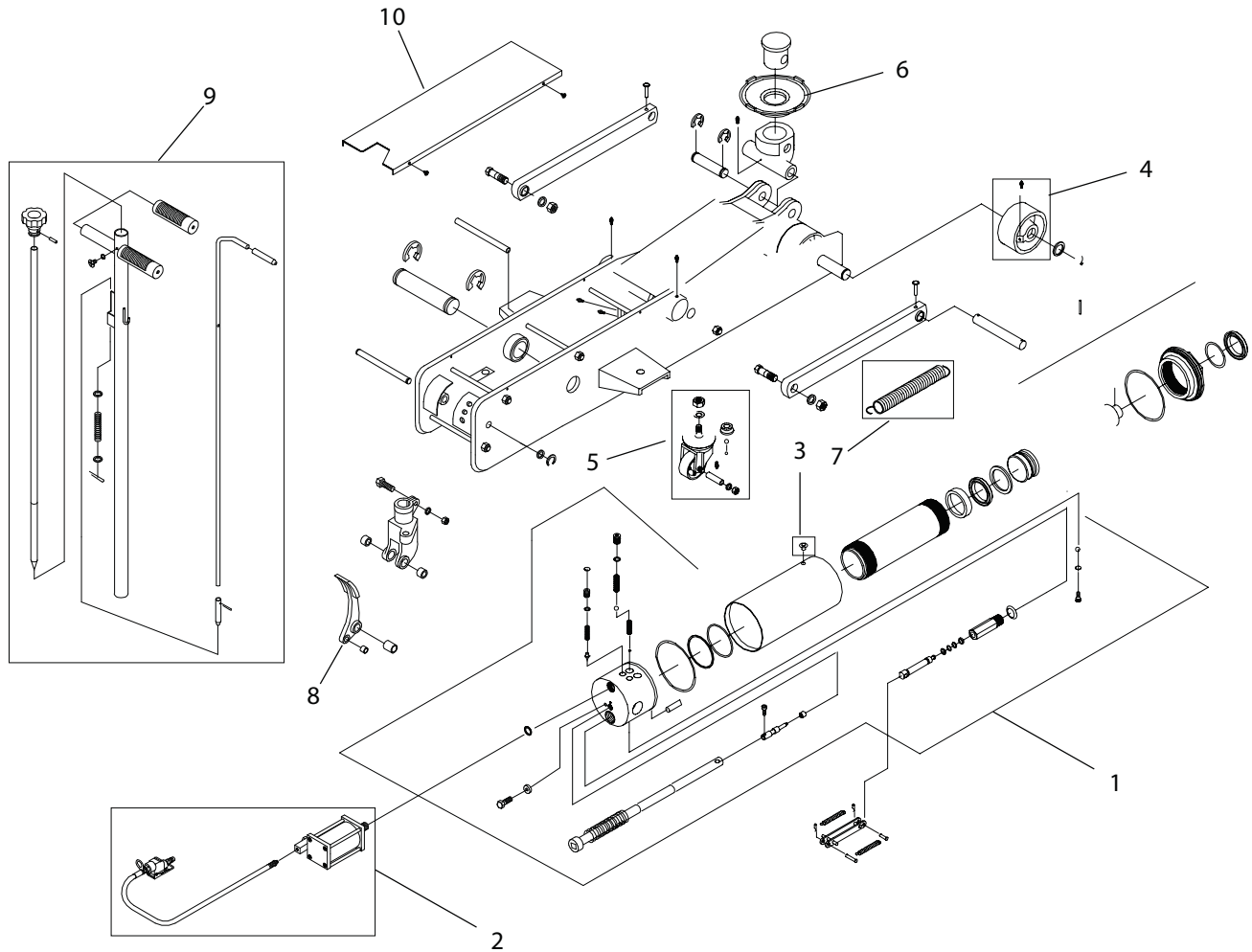


Figure 2 - Replacement Parts Illustration for model ATD-7392

ONE YEAR LIMITED WARRANTY

For a period of one (1) year from date of purchase, **ATD Tools, Inc.** will repair or replace, at its option, without charge, any of its products which fails due to a defect in material or workmanship, or which fails to conform to any implied warranty not excluded hereby.

Performance of any obligation under this warranty may be obtained by contacting your distributor or point of sale for further instructions. Please retain your proof of purchase, as it will be needed for any claim.

Except where such limitations and exclusions are specifically prohibited by applicable law, (1) the CONSUMER'S SOLE AND EXCLUSIVE REMEDY SHALL BE THE REPAIR OR REPLACEMENT OF DEFECTIVE PRODUCTS AS DESCRIBED ABOVE, and (2) **ATD Tools, Inc.** SHALL NOT BE LIABLE FOR ANY CONSEQUENTIAL OR INCIDENTAL DAMAGE OR LOSS WHATSOEVER, and (3) THE DURATION OF ANY AND ALL EXPRESSED AND IMPLIED WARRANTIES, INCLUDING WITHOUT LIMITATION, ANY WARRANTIES OF MERCHANTABILITY AND FITNESS FOR A PARTICULAR PURPOSE, IS LIMITED TO A PERIOD OF ONE (1) YEAR FROM DATE OF PURCHASE.

Some states do not allow limitations on how long an implied warranty lasts, so the above limitation may not apply to you. Some states do not allow the exclusion or limitation of incidental or consequential damages, so the above limitation or exclusion may not apply to you. This warranty gives you specific legal rights, and you may also have other rights which vary from state to state.



