



# ATD-7391A 10-Ton Long Chassis Service Jack Owner's Manual



## Specifications

- Capacity: 10-Ton
- Min. Height: 6.30" (160mm)
- Max. Height: 26.97" (685mm)
- Handle Length: 45.28" (1150.11mm)
- Saddle Diameter: 5.91" (150.11mm)
- Size: 64.57" x 19.45" x 9.87" (1640.07 x 494.03 x 250.69mm)
- Net Weight: 293.21 lbs. (133 kg)

## Features:

- Heavy-duty hydraulic performance for garages, equipment dealers, commercial service and more
- Welded hydraulic pump and cylinder construction provides increased strength and leak prevention
- Chrome plated ram for additional rust resistance
- Wiper seals protect hydraulic system from contaminants
- Convenient foot pedal for no load lifts
- Front wheels with roller bearings and ball bearing-mounted rear caster wheels provide stability and easy maneuverability
- Overload and bypass safety valves prevent use beyond the rated capacity and over extension of the ram
- Handle can be locked into one of three positions from horizontal to vertical and has independent release knob
- Meets ANSI/ASME PALD 2014 and CE standards

**NOTE:** BEFORE USING THIS JACK, PLEASE READ THIS MANUAL, UNDERSTAND ITS OPERATING PROCEDURES, SAFETY WARNINGS AND MAINTENANCE INSTRUCTIONS.

Carefully inspect all components for shipping damage. If shipping damage is found, notify carrier at once. The carrier is responsible for any damage resulting from shipment.

## 1. SAFETY

To avoid personal injury or property damage, follow all safety precautions. We cannot be responsible for injury or damage resulting from unsafe and incorrect product use, system operation, or lack of maintenance.



**WARNING** indicates a potential danger that requires correct action to avoid personal injury.



**IMPORTANT** indicates correct action to prevent damage or equipment failure.



### **WARNING:**

- The hydraulic equipment operator must be a qualified operator with proper training and experience with hydraulic equipment. Lack of knowledge in any of these areas can lead to equipment damage or personal injury.
- Read, understand, and follow all instructions before operating this jack.
- Inspect the jack before each use. Do not use jack if damaged, altered, modified, leaking hydraulic fluid or with missing or loose components.
- To avoid personal injury, never modify or weld hydraulic equipment.
- Never lift more than the rated capacity of the jack, overloading causes equipment failure and possible personal injury.
- The jack is a load lifting device, not a load holding device. Once the load has been positioned, it must be supported mechanically. Never work under, or around a load solely supported by hydraulic means.
- Never put unbalanced or off-center loads on the jack saddle. Do not use saddle adapters or saddle extenders between the stock lifting saddle and the load. incorrect loading can result in equipment failure.
- Do not move or dolly the vehicle while on the jack.
- Always wear safety glasses and/or other protective equipment that meet or exceed ANSI Z87.1 and OSHA standards.
- Use the jack ONLY on hard, level surfaces capable of sustaining the load.



### **IMPORTANT**

- Keep the hydraulic jack clean at all time.
- When the hydraulic jack is not in use, release the valve and lower lift arm.
- Use hydraulic equipment in normal operating temperatures. Do not use equipment in temperatures of 150°F (65° C) or higher. Overheating will soften seals and weakens hose material, resulting in oil leaking or other equipment failure.

## 2. DESCRIPTION

This hydraulic jack is designed for garages, equipment dealers, commercial service and more.

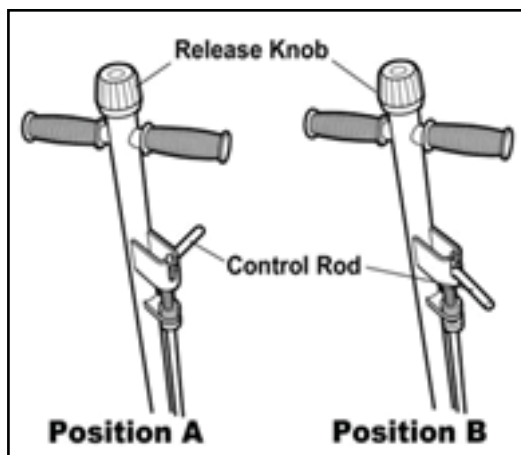
## 3. SPECIFICATIONS

• Capacity (Ton):	10-Ton
• Lifting Range:	6.30" - 26.97" (150mm-685mm)
• Handle Length:	45.28" (1150mm)
• Saddle Diameter:	5.91" (150mm)
• Size:	64.57" x 19.45" x 9.84" (1640 x 494 x 250mm)
• Weight ( lbs.):	293.21 lbs. (133 kg)

### 3-1. SETUP

PLEASE REFER TO THE EXPLODED VIEW DRAWING IN THIS MANUAL TO IDENTIFY PARTS.

1. Loosen bolt #30 on handle socket item #26
2. Install the handle assembly #40 in the handle socket item #26; align the main handle tube with the largest hole in the handle socket and the Control Rod with the smaller hole in the handle socket. When you install the handle in the socket, make sure the Control Rod is in the down/lock position (position B).
3. Once the main handle tube and Control Rod are aligned with their respective holes in the handle socket, push the handle assembly in the handle socket so the end of the handle tube engages the release valve mechanism in the bottom of the handle socket and the Control Rod engages one of the three (3) locking holes in the jack frame.
4. Disengage the Control Rod by pulling up on the lever (Position A) and engaging the lever with the slot in the top of the handle assembly. The handle assembly should be free to pump up and down.



### IMPORTANT

After placing handle assembly into the handle socket, turn the release valve knob at the top of the handle to the left and right to see if the release valve u-joint in front and below the handle socket is rotating simultaneously with the turning of the knob.

### 4. BLEEDING AIR

Before Use: Air may accumulate within a jack during shipment or after prolonged use. This air can cause the jack to respond slowly or not work. Use the instructions below to bleed the air from the jack:

With saddle fully lowered, locate and remove the oil filler plug/screw. Pump handle 6 to 8 full strokes. Ensure the oil level is within 3/16" from the inner cylinder as viewed from the oil filler hole. Reinstall the oil filler plug/screw. Close release valve by turning the handle clockwise until firm resistance is felt.

### 5. OPERATING INSTRUCTIONS

(Refer to illustrations above)

Control Rod in Position A: Allows you to pump the jack using the handle.

Control Rod in Position B: Locks the handle in place in three different positions.

#### 5-1. Raising jack

- Turn the release knob clockwise until resistance is felt to close release valve. Do not over-tighten.
- Place jack directly under object to be lifted. Make sure saddle supports weight firmly and evenly. Check positioning under slight load to confirm jack or load will not slip.
- Raise jack by pumping handle until desired height is reached. After lifting, secure load with approved jack stands that meet proper weight requirements. Do not use jack as the only means of support.

## 5-2. Lowering jack

Slowly turn the release knob counterclockwise. Speed of descent is controlled by amount release valve is turned.

## 6. MAINTENANCE

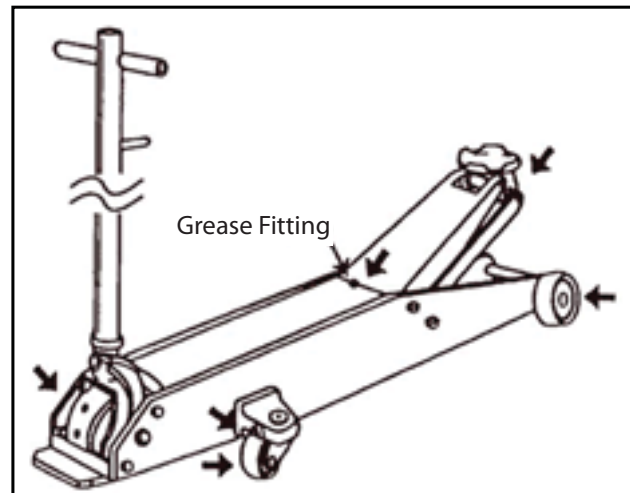
**IMPORTANT:** Dirt is the greatest single cause of failure in hydraulic units.

Keep the service jack clean and well lubricated to prevent foreign matter from entering the system. If the jack has been exposed to rain, snow, sand or grit, it must be cleaned before it is used.

- Store the jack in a well-protected area where it will not be exposed to corrosive vapors, abrasive dust, or any other harmful elements.
- Refer to the illustration, and regularly (at least once per month) lubricate the moving parts shown.
- Add grease to upper arm grease fitting (shown) every three months.
- If necessary, add approved anti-wear hydraulic jack oil. **IMPORTANT:** The use of alcohol, hydraulic brake fluid, detergent motor oil, or transmission oil could damage the seals and result in jack failure.
- Inspect the jack before each use. Take corrective action if any of the following problems are found:

- a. Cracked or damaged housing
- b. Excessive wear, bending, or other damage
- c. Leaking hydraulic fluid
- d. Scored or damaged piston rod
- e. Loose hardware
- f. Modified or altered equipment

**IMPORTANT:** Do not adjust the safety valve screw assembly (#2-18-#2-23 on the parts drawing).



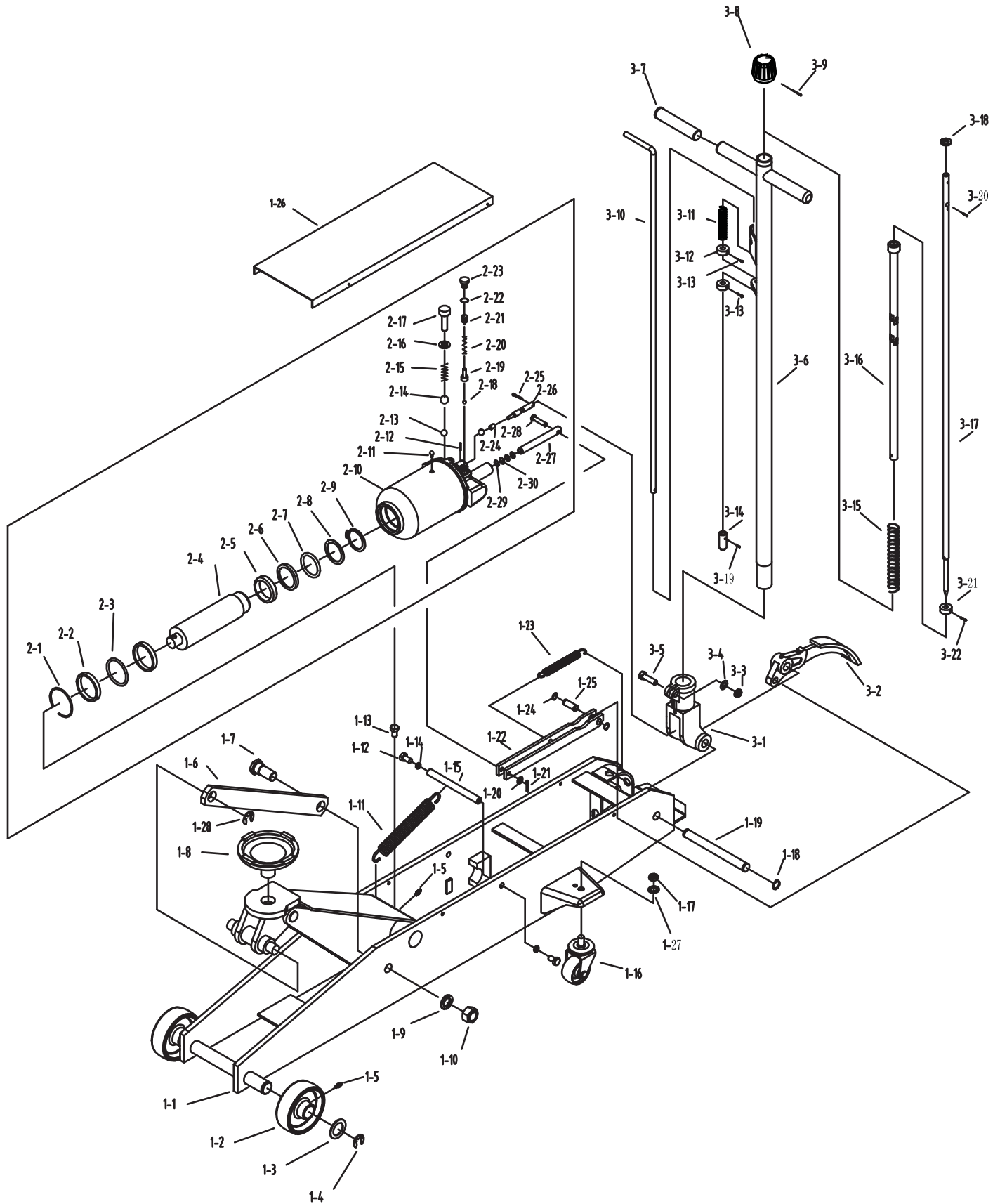
## 7. TROUBLESHOOTING

Repair procedures must be performed in a dirt-free environment by qualified personnel who are familiar with

Trouble	Cause	Solution
Jack does not lift	1. Release valve is open.	1. Close release valve.
	2. Low/no oil in reservoir.	2. Fill with oil and bleed system.
	3. Air-locked system.	3. Bleed system.
	4. Load is above capacity of jack.	4. Use correct equipment
	5. Delivery valve and/or bypass valve not working correctly.	5. Clean to remove dirt or foreign matter.
	6. Packing worn out or defective.	6. Install seal kit
Jack lifts only partially	1. Too much or not enough oil.	1. Check Oil level
Jack advances slowly	1. Pump not working correctly.	1. Install seal kit, or replace power unit.
Jack lifts load, but doesn't hold	1. Cylinder packing is leaking.	1. Install seal kit
	2. Valve not working correctly (suction, delivery, release, or bypass).	2. Inspect valves. Clean and repair seat surfaces.
	3. Air-locked system.	3. Bleed system.
Jack leaks oil	1. Worn or damaged seals.	1. Install seal kit.
Jack will not retract	1. Release valve is closed.	1. Open or clean release valve.



# ATD-7391A



ITEM#	ORDERING PART#	DESCRIPTION
1-1	N/A	FRAME
1-2	PRT7391A-04	FRONT WHEEL
1-3	PRT7391A-04	WASHER
1-4	PRT7391A-04	SNAP RING
1-5	PRT7391A-04	GREASE FITTING
1-6	N/A	ROD LINK
1-7	N/A	BOLT
1-8	PRT7391A-01	SADDLE
1-9	N/A	SNAP RING
1-10	N/A	NUT
1-11	N/A	SPRING
1-12	N/A	BOLT
1-13	N/A	BOLT
1-14	N/A	BOLT
1-15	N/A	SHAFT
1-16	PRT7391A-03	CASTER
1-17	PRT7391A-03	NUT
1-18	N/A	SNAP RING
1-19	N/A	SHAFT
1-20	N/A	WASHER
1-21	N/A	PIN
1-22	N/A	CONNECTION BAR
1-23	PRT7391A-06	SPRING
1-24	N/A	SNAP RING
1-25	N/A	SHAFT
1-26	N/A	COVER BOARD
1-27	PRT7391A-03	WASHER
1-28	N/A	SNAP RING
2-1	PRT7391A-07	SNAP RING
2-2	PRT7391A-07, PRT7391A-08	WASHER
2-3	PRT7391A-07, PRT7391A-08	O-RING
2-4	PRT7391A-07	PISTON ROD
2-5	PRT7391A-07, PRT7391A-08	PISTON RING
2-6	PRT7391A-07, PRT7391A-08	SEALING WASHER
2-7	PRT7391A-07, PRT7391A-08	O-RING
2-8	PRT7391A-07, PRT7391A-08	O-RING RETAINER
2-9	PRT7391A-07, PRT7391A-08	SNAP RING
2-10	PRT7391A-07	OIL CYLINDER ASSY
2-11	PRT7391A-07, PRT7391A-08	OIL FILLER PLUG
2-12	PRT7391A-07	PIN

ITEM#	ORDERING PART#	DESCRIPTION
2-13	PRT7391A-07	STEEL BALL
2-14	PRT7391A-07	STEEL BALL
2-15	PRT7391A-07	SPRING
2-16	PRT7391A-07, PRT7391A-08	COPPER WASHER
2-17	PRT7391A-07	SCREW
2-18	PRT7391A-07	STEEL BALL
2-19	PRT7391A-07	BALL SEAT
2-20	PRT7391A-07	SPRING
2-21	PRT7391A-07	SCREW
2-22	PRT7391A-07, PRT7391A-08	SEALING WASHER
2-23	PRT7391A-07	SCREW
2-24	PRT7391A-07, PRT7391A-08	RING
2-25	PRT7391A-07	PIN
2-26	PRT7391A-07	RELEASE VALVE ROD
2-27	PRT7391A-07	CYLINDER PUMP PLUNGER
2-28	PRT7391A-07	PIN
2-29	PRT7391A-07, PRT7391A-08	O-RING
2-30	PRT7391A-07, PRT7391A-08	NYLON GASKET
3-1	N/A	HANDLE SOCKET
3-2	N/A	PEDAL
3-3	N/A	NUT
3-4	N/A	WASHER
3-5	N/A	BOLT
3-6	PRT7391-02	HANDLE
3-7	PRT7391-02	SLEEVE
3-8	PRT7391-02	KNOB
3-9	PRT7391-02	PIN
3-10	PRT7391-02	CONTROL ROD
3-11	PRT7391-02	SPRING
3-12	PRT7391-02	WASHER
3-13	PRT7391-02	SCREW
3-14	PRT7391-02	PIN
3-15	PRT7391-02	SPRING
3-16	PRT7391-02	UNIVERSAL JOINT ASSY
3-17	PRT7391-02	COVER ROD
3-18	PRT7391-02	WASHER
3-19	PRT7391-02	PIN
3-20	PRT7391-02	PIN
3-21	PRT7391-02	WASHER
3-22	PRT7391-02	PIN

ORDERING PART#	DESCRIPTION
PRT7391A-01	SADDLE
PRT7391A-02	HANDLE KIT
PRT7391A-03	CASTER
PRT7391A-04	WHEEL KIT
PRT7390A-05	LIFT ARM SPRING KIT
PRT7390A-06	HANDLE RETURN SPRING
PRT7391A-07	HYDRAULIC UNIT
PRT7391A-08	CYLINDER SEAL KIT

Not all components of the jack are replacement items, but are illustrated as a convenient reference of parts location.  
Call your distributor for current pricing. When ordering parts, give part number and parts description.



## WARRANTY

### 1 YEAR LIMITED WARRANTY

THIS WARRANTY AND CONFIRMED RECEIPT(S) SHOULD BE RETAINED BY THE CUSTOMER AT ALL TIMES

PURCHASED FROM: \_\_\_\_\_

DATE PURCHASED: \_\_\_\_\_

INVOICE/RECEIPT NUMBER: \_\_\_\_\_

Your ATD-7391A is warranted for a period of 12 months from the original purchase date.

For a period of one (1) year from your purchase date, ATD Tools Inc. will repair or replace (at its option) without charge, your ATD product if it was purchased new and the product has failed due to a defect in material or workmanship which you experienced during normal use of the product. This limited warranty is your exclusive remedy.

To access the benefits of this warranty, contact your supplier, or point of sale directly. You may be advised to return the product under warranty, freight prepaid, to your supplier for warranty determination.

If this ATD product is altered, abused, misused, modified, or undergoes service by an unauthorized technician, your warranty will be void. We are not responsible for damage to ornamental designs you place on this ATD product and such ornamentation should not cover any warnings or instructions or they may void the warranty. This warranty does not cover scratches, superficial dents, and other abrasions to the paint finish that occur under normal use. It also does not cover normal wear items such as but not limited to brushes, batteries, drill bits, drill chucks, pads or blades.

Subject to the law in your state:

- (1) Your sole and exclusive remedy is repair or replacement of the defective product as described above.
- (2) ATD is not liable for any incidental damages, including but not limited to, lost profits and unforeseeable consequences.
- (3) The repair and replacement of this product under the express limited warranty described above is your exclusive remedy and is provided in lieu of all other warranties, express or implied. All other warranties, including implied warranties and warranties of merchantability or fitness for a particular purpose are disclaimed and, if disclaimer is prohibited, these warranties are limited to one year from your date of purchase of this product.

Some states' laws do not allow limited durations on certain implied warranties and some states' laws do not allow limitations on incidental or consequential damages. You should consult the law in your state to determine how your rights may vary.

[Affix receipt or invoice here for safe keeping]