



## ATD-7390B 5-Ton Long Chassis Service Jack Owner's Manual



### Specifications:

- Capacity: 5-Ton
- Min. Height: 5.88" (149mm)
- Max. Height: 25.5" (647mm)
- Handle Length: 42.63" (1082.80mm)
- Saddle Diameter: 5.13" (130.30mm)
- Size: 58.25" x 20.88" x 12.63" (1479.55 x 530.38 x 327.15mm)
- Net Weight: 226 lbs. (102.5 kg)

### Features:

- Heavy-duty hydraulic performance for garages, equipment dealers, commercial service and more
- Welded hydraulic pump and cylinder construction provides increased strength and leak prevention
- Chrome plated ram for additional rust resistance
- Wiper seals protect hydraulic system from contaminants
- Controlled descend with speed limit to ensure safe operation
- Fast to load design allows the jack to reach maximum height in 3 pumps under no load
- Heavy-duty front wheels and swivel rear casters provide smooth maneuvering and positioning
- Overload and bypass safety valves prevent use beyond the rated capacity and over extension of the ram
- Handle can be locked into one of three positions from horizontal to vertical and has independent release knob
- Meets or exceeds ASME PASE-2019 standards

**NOTE:** BEFORE USING THIS JACK, PLEASE READ THIS MANUAL, UNDERSTAND ITS OPERATING PROCEDURES, SAFETY WARNINGS AND MAINTENANCE INSTRUCTIONS.

Carefully inspect all components for shipping damage. If shipping damage is found, notify carrier at once. The carrier is responsible for any damage resulting from shipment.

## 1. SAFETY

To avoid personal injury or property damage, follow all safety precautions. We cannot be responsible for injury or damage resulting from unsafe and incorrect product use, system operation, or lack of maintenance.



**WARNING** indicates a potential danger that requires correct action to avoid personal injury.



**IMPORTANT** indicates correct action to prevent damage or equipment failure.



### **WARNING:**

- Read, understand, and follow all instructions before operating this jack.
- The hydraulic equipment operator must be a qualified operator with proper training and experience with hydraulic equipment. Lack of knowledge in any of these areas can lead to equipment damage or personal injury.
- Inspect the jack before each use. Do not use jack if damaged, altered, modified, leaking hydraulic fluid or with missing or loose components.
- To avoid personal injury, never modify or weld hydraulic equipment.
- Never lift more than the rated capacity of the jack, overloading causes equipment failure and possible personal injury.
- The jack is a load lifting device, not a load holding device. Once the load has been positioned, it must be supported mechanically. Never work under, or around a load solely supported by hydraulic means.
- Never put unbalanced or off-center loads on the jack saddle. Do not use saddle adapters or saddle extenders between the stock lifting saddle and the load. incorrect loading can result in equipment failure.
- Do not move or dolly the vehicle while on the jack.
- Always wear safety glasses and/or other protective equipment that meet or exceed ANSI Z87.1 and OSHA standards.
- Use the jack **ONLY** on hard, level surfaces capable of sustaining the load.



### **IMPORTANT**

- Keep the hydraulic jack clean at all times.
- When the hydraulic jack is not in use, release the valve and lower lift arm.
- Use hydraulic equipment in normal operating temperatures. Do not use equipment in temperatures of 150°F (65° C) or higher. Overheating will soften seals and weakens hose material, resulting in oil leaking or other equipment failure.

## 2. DESCRIPTION

This hydraulic jack is designed for garages, equipment dealers, commercial service and more.

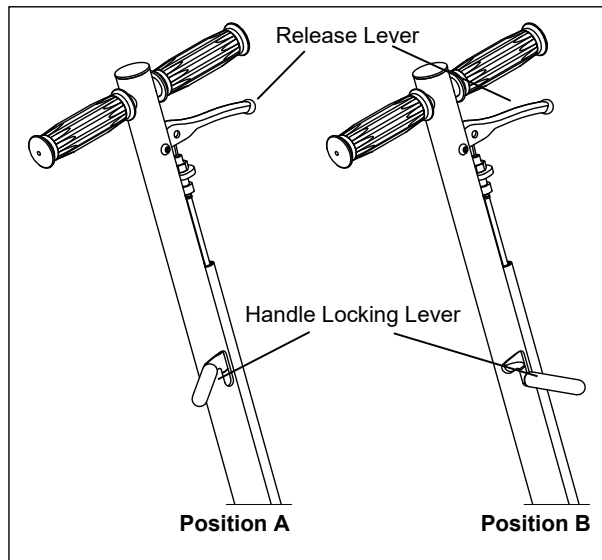
## 3. SPECIFICATIONS

Capacity (Ton):	5-Ton
Lifting Range:	5.88" - 25.5" (149mm-647mm)
Handle Length:	42.63" (1082.80mm)
Saddle Diameter:	5.13" (130.30mm)
Size:	58.25" x 20.88" x12.63" (1479.55 x 530.38 x 327.15mm)
Weight (lbs.):	226 lbs. (102.5 kg)

### 3-1. SETUP

PLEASE REFER TO THE EXPLODED VIEW DRAWING IN THIS MANUAL TO IDENTIFY PARTS.

- Take the jack out of the wooden crate and remove the cover carton from the handle.
- Pull the handle's locking lever into position so it is disengaged (position A).
- Press down on the handle fork and remove the retaining hook to free the fork.
- Install the handle in the handle fork making sure the T-portion of the handle is positioned left and right of the jack's chassis.
- Secure the handle in the handle fork by tightening the screw and nut with an Allen wrench and adjustable wrench
- Remove the protective carton from the jack and engage the handle's locking lever so the handle locks in any one of the three lock positions (position B).
- In order to activate the pump handle, disengage the handle locking lever (position A) and proceed to pump.



### 4. BLEEDING AIR

**Before Use:** Air may accumulate within a jack during shipment or after prolonged use. This air can cause the jack to respond slowly or not work. Use the instructions below to bleed the air from the jack:

- Raise the cover plate by pulling up on it's forward edge so the Phillips head fill screw on the top of the reservoir is shown.
- Using a Phillips head screwdriver, turn the screw counterclockwise two full turns so the gasket under the screw head is not sealing.
- Pull up on the release lever while simultaneously pumping the jack about 4 or 5 full incremental pump strokes.
- Let go of the release lever and proceed to pump the jack until the lift arm is at maximum height. If the condition seems better but not complete, repeat steps b. through c. until all air is purged from the jack's hydraulic system.

### 5. OPERATING INSTRUCTIONS

(Refer to illustration above)

- Control Rod in Position A: Allows you to pump the jack using the handle.
- Control Rod in Position B: Locks the handle in place in three different positions.

#### 5-1. RAISING JACK

- Disengage the handle locking lever (position A).
- Place jack directly under object to be lifted. Make sure saddle supports weight firmly and evenly. Check positioning under slight load to confirm jack or load will not slip.
- Raise jack by pumping handle until desired height is reached. After lifting, secure load with approved jack stands that meet proper weight requirements. Do not use jack as the only means of support.

## 5-2. LOWERING JACK

Pull up the release lever. Slow descending will be activated with load on it. Speed of descent is automatically controlled by the internal valve.

## 6. MAINTENANCE

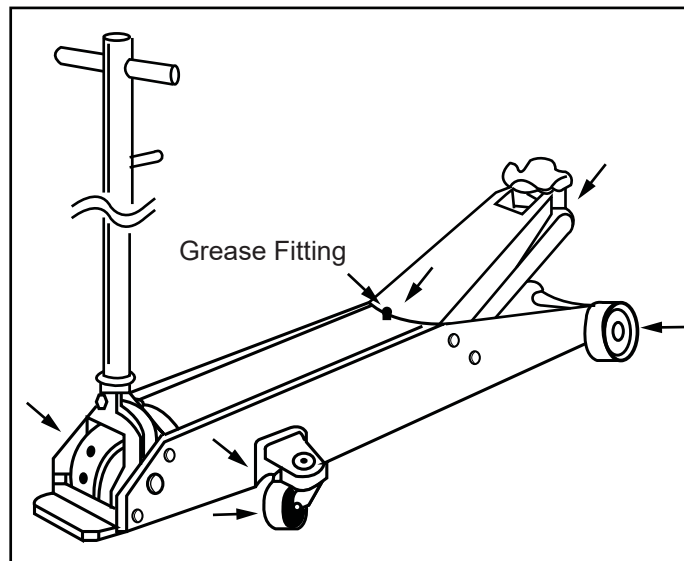
**IMPORTANT:** Dirt is the greatest single cause of failure in hydraulic units.

Keep the service jack clean and well lubricated to prevent foreign matter from entering the system. If the jack has been exposed to rain, snow, sand or grit, it must be cleaned before it is used.

- Store the jack in a well-protected area where it will not be exposed to corrosive vapors, abrasive dust, or any other harmful elements.
- Refer to the illustration, and regularly (at least once per month) lubricate the moving parts shown.
- Add grease to upper arm grease fitting (shown) every three months.
- If necessary, add approved anti-wear hydraulic jack oil. **IMPORTANT:** The use of alcohol, hydraulic brake fluid, detergent motor oil, or transmission oil could damage the seals and result in jack failure.
- Inspect the jack before each use. Take corrective action if any of the following problems are found:

- Cracked or damaged housing
- Excessive wear, bending, or other damage
- Leaking hydraulic fluid
- Scored or damaged piston rod
- Loose hardware
- Modified or altered equipment

**IMPORTANT: DO NOT** adjust the safety valve screw assembly.



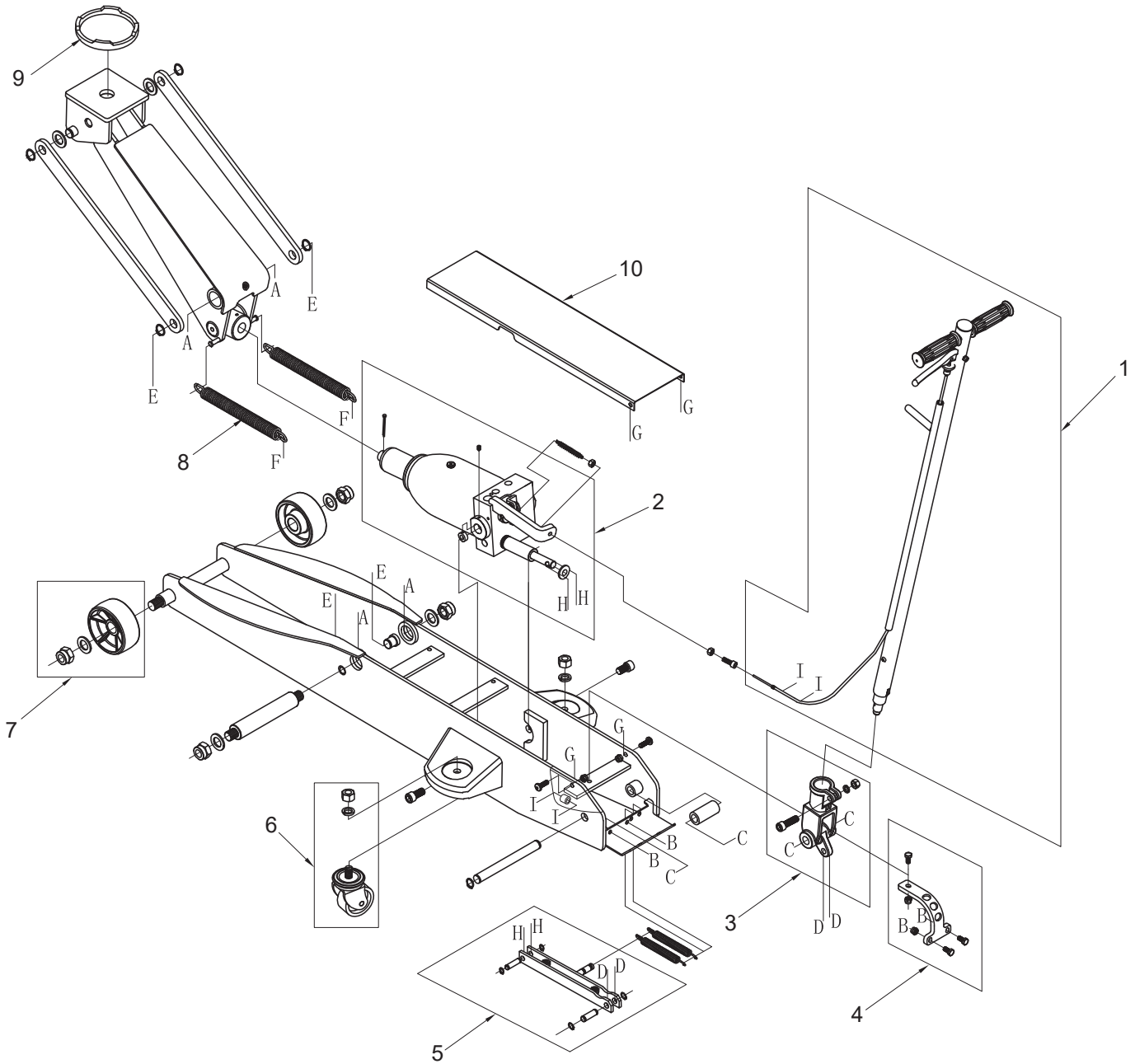
## 7. TROUBLESHOOTING

Repair procedures must be performed in a dirt-free environment by qualified personnel who are familiar with this equipment.

PROBLEM DESCRIPTION	POSSIBLE CAUSE	SOLUTION
Jack does not lift	Release valve is open	Close release valve
	Low/no oil in reservoir	Fill with oil and bleed system
	Air-locked system	Bleed system
	Load is above capacity of jack	Use correct equipment
	Delivery valve and/or bypass valve not working correctly	Clean to remove dirt or foreign matter
	Packing worn out or defective	Install seal kit
Jack lifts only partially	Too much or not enough oil	Check Oil level
Jack advances slowly	Pump not working correctly	Install seal kit, or replace power unit.
Jack lifts load, but doesn't hold	Cylinder packing is leaking	Install seal kit
	Valve not working correctly (suction, delivery, release, or bypass)	Inspect valves. Clean and repair seat surfaces
	Air-locked system	Bleed system
Jack leaks oil	Worn or damaged seals	Install seal kit
Jack will not retract	Release valve is closed	Open or clean release valve

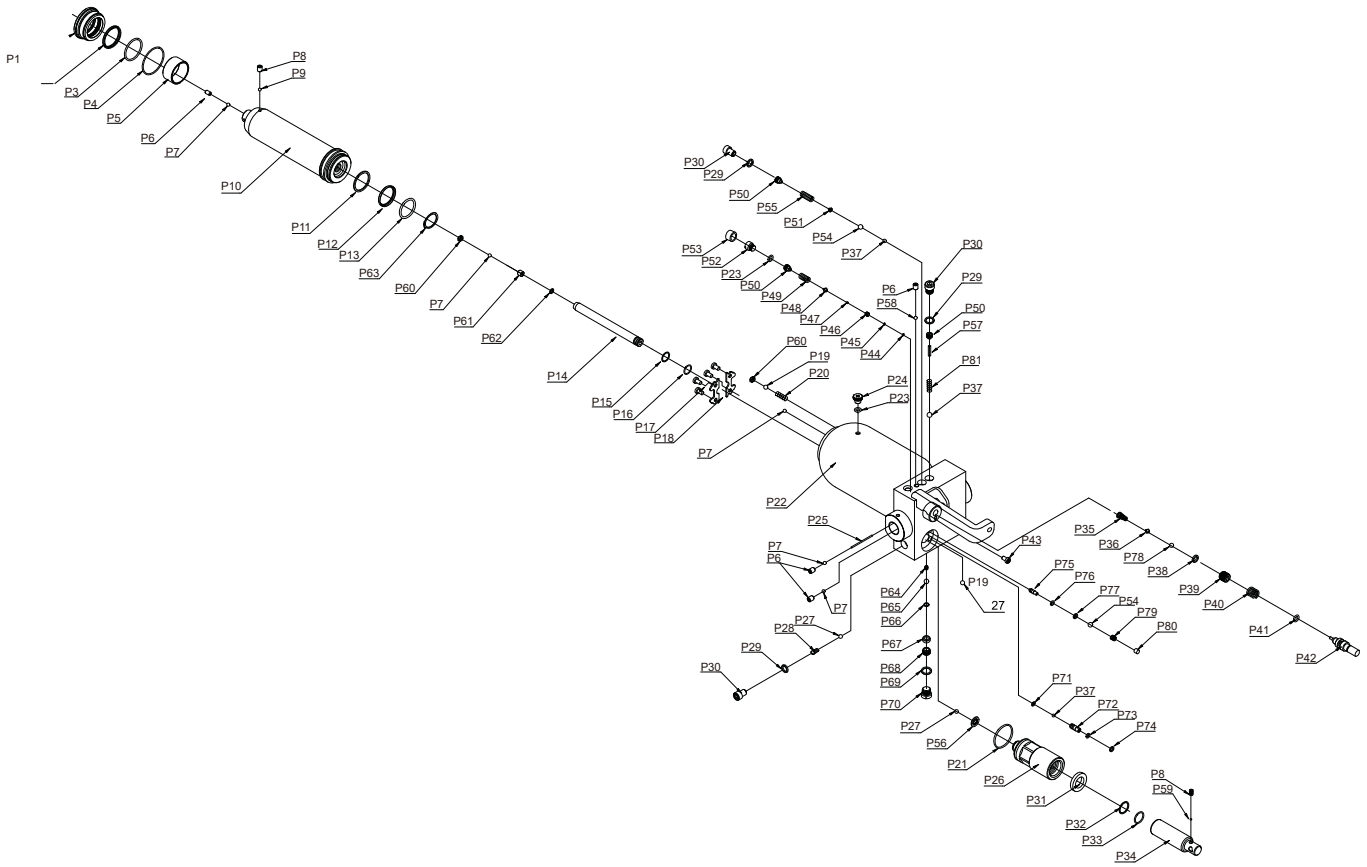
# REPLACEMENT PARTS

Not all components of this product are replacement items, but are illustrated as a convenient reference for position in the assembly sequence. When ordering parts, give model number, part number and description. Call your distributor for current pricing:



ITEM#	ORDERING PART#	PART DESCRIPTION	QTY
1	PRT7390B-01	HANDLE ASSEMBLY	1
2	PRT7390B-02	PUMP ASSEMBLY	1
3	PRT7390B-03	HANDLE FORK AND HARDWARE	1
4	PRT7390B-04	LOCKING PLATE AND HARDWARE	1
5	PRT7390B-05	PUMP LINKAGE AND HARDWARE	1
6	PRT7390B-06	CASTER ASSEMBLY AND HARDWARE	2
7	PRT7390B-07	FRONT WHEEL AND HARDWARE	2
8	PRT7390B-08	RAM RETRACTION SPRING	2
9	PRT7390B-09	SADDLE	1
10	PRT7390B-10	COVER PLATE	1
N/S	PRT7390B-SK	SEAL KIT	1

# Hydraulic Pump Breakdown



ORDERING PART#	DESCRIPTION	QTY
-	LIMIT RING	1
PRT7390B-SK	DUST RING	1
PRT7390B-SK	O RING	1
PRT7390B-SK	O RING	1
-	LIMIT RING	1
-	SCREW	4
-	STEEL BALL	5
-	SCREW	2
-	STEEL BALL	1
-	PISTON ROD	1
PRT7390B-SK	NYLON RING	1
PRT7390B-SK	WASHER	1
PRT7390B-SK	O RING	1
-	SMALL PISTON ROD	1
PRT7390B-SK	PTFE WAHER	1
PRT7390B-SK	O RING	1
-	SCREW	4
-	LIMIT PLATE	2
-	STEEL BALL	1
-	SPRING	1
PRT7390B-SK	O RING	1
-	PUMP	1
PRT7390B-SK	O RING	2
PRT7390B-SK	OIL FILLER SCREW	1
-	PIN	1
-	PUMP CORE 1	1
-	STEEL BALL	3

ITEM#	ORDERING PART#	DESCRIPTION	QTY
P28	-	SPRING	1
P29	PRT7390B-SK	WASHER	3
P30	-	SCREW	3
P31	PRT7390B-SK	U-RING	1
P32	PRT7390B-SK	PTFE WAHER	1
P33	PRT7390B-SK	O RING	1
P34	-	PUMP CORE	1
P35	-	SPRING	1
P36	-	STEEL BALL SEAT	1
P37	-	STEEL BALL	3
P38	PRT7390B-SK	COPPER WASHER	1
P39	-	VALVE SEAT	1
P40	-	SPRING	1
P41	PRT7390B-SK	O RING	1
P42	-	RELEASE VALVE CORE	1
P43	-	SCREW	1
P44	PRT7390B-SK	COPPER WASHER	1
P45	PRT7390B-SK	WASHER	1
P46	-	SCREW	1
P47	-	STEEL BALL	1
P48	-	STEEL BALL SEAT	1
P49	-	SPRING	1
P50	-	SCREW	3
P51	-	STEEL BALL SEAT	1
P52	-	SCREW	1
P53	-	DUST CAP	1
P54	-	STEEL BALL	2

ITEM#	ORDERING PART#	DESCRIPTION	QTY
P55	-	SPRING	1
P56	PRT7390B-SK	COPPER WASHER	1
P57	-	ROD	1
P58	-	STEEL BALL	1
P59	-	STEEL BALL	1
P60	-	SCREW	2
P61	-	VALVE SEAT	1
P62	PRT7390B-SK	NYLON WASHER	1
P63	PRT7390B-SK	RETAINING RING	1
P64	-	SCREW	1
P65	-	STEEL BALL	1
P66	PRT7390B-SK	COPPER WASHER	1
P67	PRT7390B-SK	WASHER	1
P68	-	SCREW	1
P69	-	NYLON WASHER	1
P70	-	SCREW	1
P71	PRT7390B-SK	WASHER	1
P72	-	VALVE SEAT	1
P73	PRT7390B-SK	O RING	1
P74	PRT7390B-SK	PTFE WAHER	1
P75	-	PUSH ROD	1
P76	PRT7390B-SK	O RING	1
P77	PRT7390B-SK	NYLON WASHER	1
P78	-	STEEL BALL	1
P79	-	SPRING	1
P80	-	LIMIT ROD	1
P81	-	SPRING	1



## WARRANTY

### 1 YEAR LIMITED WARRANTY

THIS WARRANTY AND CONFIRMED RECEIPT(S) SHOULD BE RETAINED BY THE CUSTOMER AT ALL TIMES

PURCHASED FROM: \_\_\_\_\_

DATE PURCHASED: \_\_\_\_\_

INVOICE/RECEIPT NUMBER: \_\_\_\_\_

Your ATD-7390B is warranted for a period of 12 months from the original purchase date.

For a period of one (1) year from your purchase date, ATD Tools Inc. will repair or replace (at its option) without charge, your ATD product if it was purchased new and the product has failed due to a defect in material or workmanship which you experienced during normal use of the product. This limited warranty is your exclusive remedy.

To access the benefits of this warranty, contact your supplier, or point of sale directly. You may be advised to return the product under warranty, freight prepaid, to your supplier for warranty determination.

If this ATD product is altered, abused, misused, modified, or undergoes service by an unauthorized technician, your warranty will be void. We are not responsible for damage to ornamental designs you place on this ATD product and such ornamentation should not cover any warnings or instructions or they may void the warranty. This warranty does not cover scratches, superficial dents, and other abrasions to the paint finish that occur under normal use. It also does not cover normal wear items such as but not limited to brushes, batteries, drill bits, drill chucks, pads or blades.

Subject to the law in your state:

- (1) Your sole and exclusive remedy is repair or replacement of the defective product as described above.
- (2) ATD is not liable for any incidental damages, including but not limited to, lost profits and unforeseeable consequences.
- (3) The repair and replacement of this product under the express limited warranty described above is your exclusive remedy and is provided in lieu of all other warranties, express or implied. All other warranties, including implied warranties and warranties of merchantability or fitness for a particular purpose are disclaimed and, if disclaimer is prohibited, these warranties are limited to one year from your date of purchase of this product.

Some states' laws do not allow limited durations on certain implied warranties and some states' laws do not allow limitations on incidental or consequential damages. You should consult the law in your state to determine how your rights may vary.

[Affix receipt or invoice here for safe keeping]