

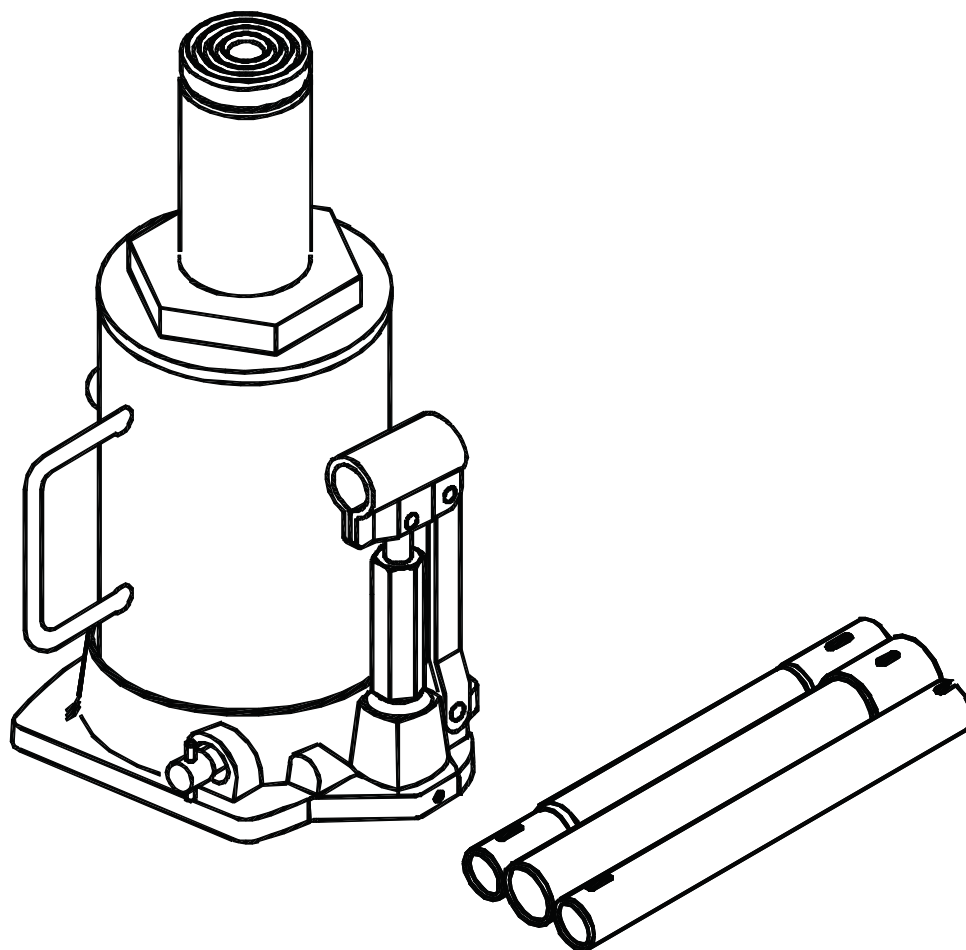


# Hydraulic Bottle Jack

## Operating Instructions & Parts Manual

**Model Number**  
**ATD-7367**

**Capacity**  
**30 Ton**



**⚠ WARNING ⚠**

**WARNING:** This product may contain chemicals, including lead, known to the State of California to cause cancer, birth defects or other reproductive harm. *Wash hands after handling.*

**Save these instructions.** For your safety, read, understand, and follow the information provided with and on this jack. The owner and operator of this equipment shall have an understanding of this jack and safe operating procedures before attempting to use. The owner and operator shall be aware that use and repair of this product may require special skills and knowledge. Instructions and safety information shall be conveyed in the operator's native language before use of this jack is authorized. If any doubt exists as to the safe and proper use of this jack, remove from service immediately.

**Inspect before each use.** Do not use if broken, bent, cracked, or damaged parts (including labels) are noted. Any jack that appears damaged in any way, operates abnormally or is missing parts, shall be removed from service immediately. If the jack has been or suspected to have been subjected to a shock load (a load dropped suddenly, unexpectedly upon it), immediately discontinue use until jack has been checked by a factory authorized service center. It is recommended that an annual inspection be done by qualified personnel. Labels and Owner's Manuals are available from manufacturer (see Replacement Parts, page 5).

**PRODUCT DESCRIPTION**

The ATD Hydraulic Bottle Jack is designed to lift, but not sustain, rated capacity loads. It's designed to be used vertically. After lifting, loads must be **immediately** supported by appropriate means. The ATD Hydraulic Bottle Jack is suitable for use in an appropriately rated and designed vertical or bench press structure. It is **not suitable and not recommended** for use in lifting or positioning construction trailers, houses and/or other building structures.

**SPECIFICATIONS**

Model	Capacity	Base Size ( L x W )	Min. Height	Max. Height	Hyd. Lifting	Weight
ATD-7367	30 Ton	8-1/8" x 6-7/8"	11"	18"	7"	56 lbs.

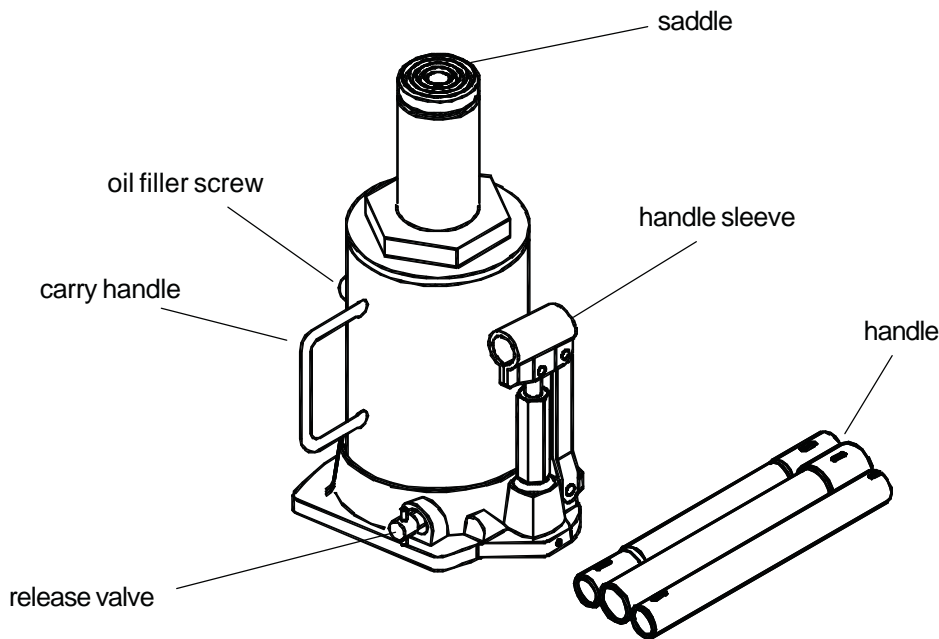


Figure 1 - Model ATD-7367 nomenclature

## BEFORE USE

1. Before using this product, read the owner's manual completely and familiarize yourself thoroughly with the product, its components and recognize the hazards associated with its use.
2. Using the notched end of the provided handle, engage and turn the release valve counterclockwise no more than 1/2 full turns from a fully closed position.
3. With saddle fully lowered, locate and remove the oil filler screw. Insert the handle into the handle sleeve, then pump 6 to 8 full strokes. This will help release any pressurized air which may be trapped within the reservoir. Oil level should be even with the bottom of the oil filler screw hole. Reinstall the oil filler screw.
4. Check that the pump operates smoothly before putting into service. Replace worn or damaged parts and assemblies with Factory Authorized Replacement Parts only. (See Replacement Parts Section). Lubricate as instructed in Maintenance Section.

## OPERATION

### LIFTING

1. Assemble 3 pc. handle, ensure that spring clips align with slots.
2. Use wheel chocks to help prevent inadvertent shifting and movement of vehicle being lifted.
3. Position the jack near lift point. Lift only on those areas recommended by the vehicle manufacturer. Consult vehicle service manual for the location of recommended lift points.
4. Close the release valve by turning it clockwise until it is firmly closed.

**CAUTION:** Use the handle provided with this product or an authorized replacement handle to ensure proper release valve operation. **Do not** use an extender on the operating handle.

5. Insert and secure handle into handle sleeve. Pump handle until saddle contacts load.
6. Raise load to desired height, then immediately transfer the load to appropriately rated support devices such as jack stands.

### LOWERING

1. Raise load enough to carefully remove jack stands.
2. Secure handle onto release valve and slowly turn handle counterclockwise, but no more than 1/2 turn.
3. If load fails to lower:
  - a. Carefully transfer the load to another lifting device and jack stands.
  - b. Carefully remove affected jack, and then the jack stands. Lower the load, again by slowly turning the release valve no more than 1/2 turn.
4. After removing jack from under the load, push ram and handle sleeve down to reduce exposure to rust and contamination.

## ⚠ WARNING

- Study, understand, and follow all instructions provided with and on this device before use.
- Do not exceed rated capacity.
- This is a lifting device only.
- After lifting, immediately transfer the load to appropriately rated vehicle stands.
- Never work on, under, or around a load supported by this device.
- Use only on hard, level surfaces capable of sustaining rated capacity loads.
- Failure to heed these markings may result in personal injury and/or property damage.

## ⚠ ADVERTENCIA

- Leer, comprender, y seguir las instrucciones antes de utilizar el aparato.
- El manual de instrucciones y la información de seguridad deben estar comunicado en lengua del operador antes del uso.
- No seguir estas indicaciones puede causar daños personales o materiales.

### ! SAFETY MESSAGE !

Be sure all tools and personnel are clear before lowering load. No alterations shall be made to this device. Only attachments and/or adapters supplied by the manufacturer shall be used. Lift only on areas of the vehicle as specified by the vehicle manufacturer.

## ⚠ WARNING



To avoid crushing and related injuries: **NEVER** work on, under or around a load supported only by a jack. Always use adequately rated jack stands.

## MAINTENANCE

**Important:** Use only a good grade hydraulic jack oil. Avoid mixing different types of fluid and **Never** use brake fluid, turbine oil, transmission fluid, motor oil or glycerin. Improper fluid can cause failure of the jack and the potential for sudden and immediate loss of load. We recommend Mobil DTE13M or equivalent.

### Adding oil

1. With saddle fully lowered and pump piston fully depressed, set jack in its upright, level position. Remove oil filler screw.
2. Fill until oil is level with the filler screw hole, reinstall oil filler screw.

### Changing oil

For best performance and longest life, replace the complete fluid supply at least once per year.

1. With saddle fully lowered, remove the oil filler screw.

## MAINTENANCE (continued)

2. Lay the jack on its side and drain the fluid into a suitable container.

**Note:** Dispose of hydraulic fluid in accordance with local regulations.

3. Set jack in its upright, level position. Fill until oil is level with the filler screw hole, reinstall oil filler screw.

### Lubrication

A periodic coating of light lubricating oil to pivot points and hinges will help to prevent rust and assure that pump assemblies move freely.

### Cleaning

Periodically check the pump piston and ram for signs of rust or corrosion. Clean as needed and wipe with an oily cloth.

**Note:** Never use sandpaper or abrasive material on these surfaces !

## TROUBLESHOOTING

Symptom	Possible Causes	Corrective Action
Jack will not lift load	<ul style="list-style-type: none"> <li>• Release valve not tightly closed</li> </ul>	<ul style="list-style-type: none"> <li>• Ensure release valve tightly closed</li> </ul>
Jack bleeds off after lift	<ul style="list-style-type: none"> <li>• Hydraulic unit malfunction</li> <li>• Release valve not tightly closed</li> </ul>	<ul style="list-style-type: none"> <li>• Contact Tech. Support (888) 332-6419</li> <li>• Ensure release valve tightly closed</li> </ul>
Jack will not lower after unloading	<ul style="list-style-type: none"> <li>• Reservoir overfilled</li> </ul>	<ul style="list-style-type: none"> <li>• Drain fluid to proper level</li> </ul>
Poor lift performance	<ul style="list-style-type: none"> <li>• Fluid level low</li> <li>• Air trapped in system</li> </ul>	<ul style="list-style-type: none"> <li>• Ensure proper fluid level</li> <li>• With ram fully retracted, remove oil filler screw to let pressurized air escape, then reinstall oil filler screw</li> </ul>
Will not lift to full extension	<ul style="list-style-type: none"> <li>• Fluid level low</li> </ul>	<ul style="list-style-type: none"> <li>• Ensure proper fluid level</li> </ul>

Model ATD-7367

<u>Reference No.</u>	<u>Description</u>	<u>Part Number</u>	<u>Quantity</u>
1	OIL FILLER SCREW	G62S-03301-000	1
2	HANDLE ASSEMBLY	B300-17000-000	1
3	RELEASE VALVE	BT02-17100-000	1

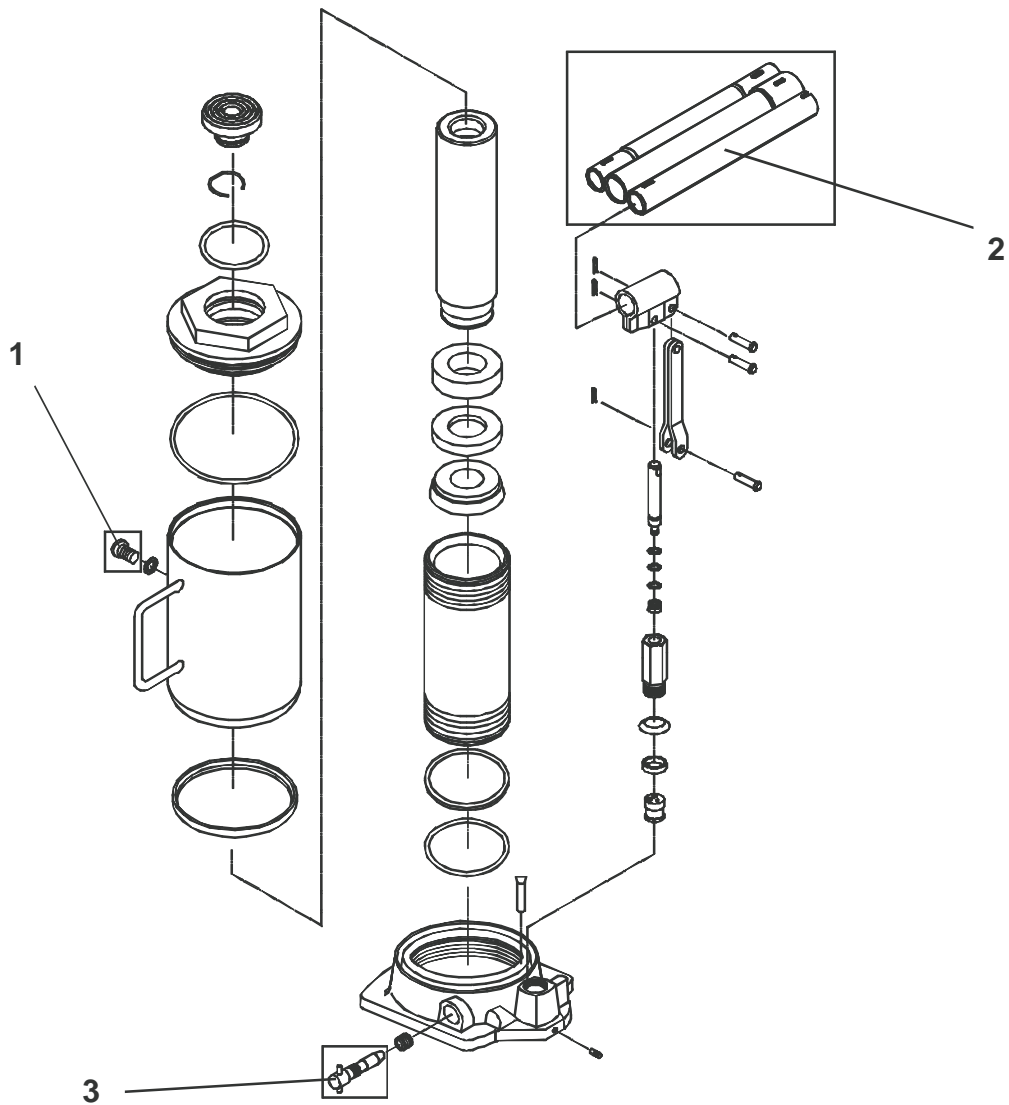


Figure 2 - Replacement Parts Illustration for model ATD-7367

## ONE YEAR LIMITED WARRANTY

For a period of one (1) year from date of purchase, ATD Tools, Inc. will repair or replace, at its option, without charge, any of its products which fails due to a defect in material or workmanship, or which fails to conform to any implied warranty not excluded hereby.

Performance of any obligation under this warranty may be obtained by contacting your distributor or point of sale for further instructions.

Except where such limitations and exclusions are specifically prohibited by applicable law, (1) The consumer's sole and exclusive remedy shall be the repair or replacement of defective products as described above, and (2) ATD Tools, Inc. shall not be liable for any consequential or incidental damage or loss whatsoever, and (3) The duration of any and all expressed and implied warranties, including without limitation, any warranties of merchantability and fitness for a particular purpose, is limited to a period of one (1) year from date of purchase.

Some states do not allow limitations on how long an implied warranty lasts, so the above limitation may not apply to you. Some states do not allow the exclusion or limitation of incidental or consequential damages, so the above limitation or exclusion may not apply to you. This warranty gives you specific legal rights, and you may also have other rights which vary from state to state.



ATD Tools Inc.  
160 Enterprise Drive  
Wentzville, MO 63385  
[www.atdtools.com](http://www.atdtools.com)



