



ATD-7344B

1.5 Ton Aluminum PLUS Low Profile Service Jack Owner's Manual



Features:

- The Aluminium jack for everyday use
- The lightweight construction of Aluminium with the strength of steel
- Aluminium frame with steel lift arm, handle fork and handle
- Side "D" handle for easy handling
- Rubber saddle pad protects vehicle at lift point
- Swift Lift™ design offers a quicker lift for professional performance
- U-Joint release mechanism provides precise control of load descent in any handle position
- Built-in pressure release valve protects the hydraulic system from over pumping damage
- ASME/PASE 2014 certified

Specifications:


- Capacity: 1.5 Tons
- Minimum Height: 3-1/8"
- Maximum Height: 14"
- Handle Length: 37-3/8"
- Saddle Diameter: 3-13/16"
- Jack Size-Length: 21-5/8"
- Jack Size-Width: 9-7/16"
- Jack Size-Height: 5-1/8"
- Weight: 35.6 lbs.

SAFETY AND GENERAL INFORMATION

Save these instructions. You will need the manual for the safety warnings and precautions, assembly instructions, operating and maintenance procedures, parts list and diagram. Keep your invoice with this manual. Write the invoice number on the inside of the front cover. Keep the manual and invoice in safe and dry place for future reference. For your safety, read, understand, and follow the information provided with and on this device before using. The owner and/or operator should have an understanding of the device, its operating characteristics and safety operating instructions before operating the equipment. The owner and/or operator should be aware that use and repair of this product may require special skills and knowledge. Instructions and safety information should be read to and discussed with the operator in the operator's native language, making sure that the operator comprehends their contents, before use of this equipment is authorized. If any doubt exists as to the safe and proper use of this device, remove from service immediately.

Always keep work area clean. Cluttered areas invite injuries. **Observe work area conditions.** Do not use machines or power tools in damp or wet locations. Do not expose to rain. Keep work area well lighted. Do not use electrically powered tools in the presence of flammable gases or liquids. **Keep children away.** Children must never be allowed in the work area. Do not let them handle machines, tools, or extension cords. **Store idle equipment.** When not in use, tools must be stored in dry location to inhibit rust. Always lock up tools and keep out of reach of children. **Use the right tool for the job.** Do not attempt to force a small tool or attachment to do the work of a larger industrial tool. There are certain applications for which this tool was designed. It will do the job better and more safely at the rate for which it was intended. Do not modify this tool and do not use this tool for a purpose for which it was not intended. **Dress properly.** Do not wear loose clothing or jewelry as they can be caught in moving parts. Protective, electrically non-conductive clothes and non-skid footwear are recommended when working. Wear restrictive hair covering to contain long hair. **Use eye and ear protection.** Always wear CE approved impact safety goggles. Wear a full face shield if you are producing metal filings or wood chips. **Do not overreach.** Keep proper footing and balance at all times. Do not reach over or across running machines.

Inspect before each use. Do not use if abnormal conditions such as cracked welds, damaged, loose or missing parts are noted. Any equipment that appears damaged in any way, is found to be worn, or operates abnormally shall be removed from service until repaired. If the equipment has been or is suspected to have been subjected to an abnormal load or shock, immediately discontinue use until inspected by a factory authorized repair facility (contact distributor or manufacturer for list of authorized repair facilities). It is recommended that an annual inspection be made by an authorized repair facility. Labels and Operator's Manuals are available from the manufacturer.

 WARNING	
- Service Jack -	
<ul style="list-style-type: none">• Study, understand, and follow all instructions before operating this device.• Do not exceed rated capacity. Know the weight of the load being lifted.• Use Jack only for lifting. Do not use this equipment for any other purpose. Immediately after lifting, support the load with appropriate supporting equipment.• Place Jack correctly. Only use this equipment on a surface that is stable, level, clean, dry, and capable of sustaining the load.• Stabilize the load. Ensure that the load remains stable at all times. Do not move load while on the jack. Lift deadweight loads only.• When lifting the vehicle, apply the emergency brake and block all wheels.• Lift only on areas of the vehicle as specified by the vehicle manufacturer. Center the load on the Jack Saddle. Off center loads can damage the seals, causing Jack failure.• Never attempt to use the Jack unless it is properly filled with hydraulic fluid.• Do not move or dolly the vehicle while on the jack.• No alterations shall be made to this product.• Failure to heed these markings may result in personal injury and/or property damage.	

PRODUCT DESCRIPTION

This ATD Service Jack is designed to lift, but not support, one end of a vehicle. Immediately after lifting, loads must be supported by a pair of appropriately rated jack stands. This service jack has a unique feature that provides fast, no load lifts to the jacking point. This jack has special built-in features that make it ideal for performing minor repairs, oil changes, cleanups, and more.

⚠ WARNING: Do not use hydraulic jack as a stand-alone device. After lifting, immediately support the lifted vehicle with a pair of appropriately rated jack stands.

NOT TO BE USED
FOR AIRCRAFT
PURPOSES

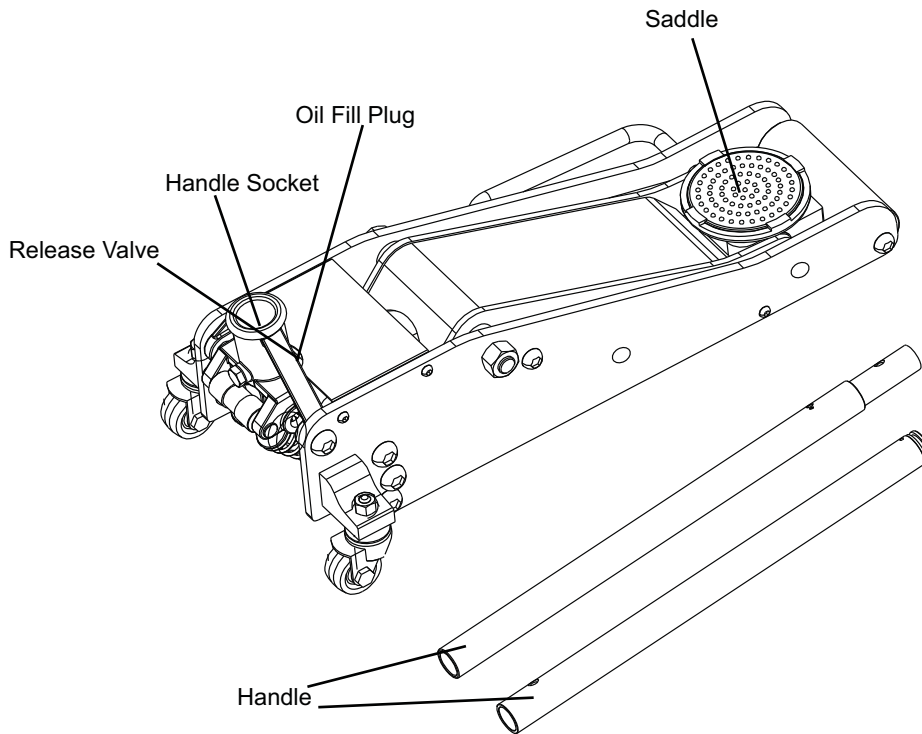


Figure 1 - Product Parts Illustration for ATD-7344B

PREPARATION

Unpacking:

When unpacking, check to make sure the following parts are included. Refer to the parts lists and assembly drawings for more details. If any part is missing or damaged, do not attempt to assemble, install or operate the product. Contact Customer Service (636) 327-9050.

Assembly:

1. Remove the retaining clip: Press the handle fork down and then push the retaining clip out from the hole in the fork.
2. Handle Attachment: Push the ball detent and insert upper handle into lower handle. Now turn parts until the ball detent snaps into the hole. Loosen the handle set screw under the handle fork. Insert the handle into the handle fork until it locks in place and tighten the handle set screw again.

⚠ WARNING: Do not lift or carry jack by handle. Handle could dislodge and jack could fall, resulting in possible injury or property damage.

OPERATION

1. Test the jack by placing the saddle under a stable, dead load. Turn the handle completely clockwise, and pump the handle up and down. The jack saddle should rise and stay at that level. If it slowly goes down, tighten the oil plug. If it still goes down, the power unit may need to have the air purged from its system. Refer to the Maintenance Section.

⚠ WARNING: The jack, and equipment being lifted, must be stable so when lifted, they do not fall and cause personal injury. Keep spectators away from work area. Read the vehicle manual to find the proper lifting points for the vehicle.

2. Turn the handle counter-clockwise. The saddle should lower completely.
3. Position the jack under the equipment being lifted.
4. Turn the handle clockwise to the closed position.
5. Pump the handle up and down until the saddle just touches the item being lifted. Readjust the saddle position so that the equipment is centered on the saddle.
6. Continue pumping until the jack is fully extended, or the equipment is lifted to the desired height.
7. Place the vehicle stands, or other support devices under the equipment before attempting to do any work in or around it.

CAUTION: AVOID RAPID DESCENT. TURN THE HANDLE SLOWLY.

8. Slowly and carefully lower the load by turning the handle counterclockwise in extremely small increments.
9. When finished using the jack, store it in a dry location with the saddle fully lowered.

MAINTENANCE

General:

Periodically lubricate the jack as described below:

1. Lubricate the joints and ram with light oil as needed.
2. Remove handle and grease the lower end of the handle where it rotates in the handle fork.
3. Oil all lift arm linkages, front wheels, and rear casters with light oil.
4. Clean the outside of the jack with dry, clean cloth.
5. If the jack is exposed to moisture, wipe dry with a clean cloth and lubricate.
6. Store jack with piston ram withdrawn (saddle down), and in a clean and dry location.

Purging Air from the Hydraulic System:

Air bubbles can become trapped inside the hydraulic system thereby reducing the efficiency of the jack . Purge the air from the system if the lift efficiency drops.

1. Turn the handle 1-1/2 turns counterclockwise.
2. Remove the oil plug by turning it counterclockwise.
3. Rapidly pump the handle assembly several times to purge the air from the hydraulic system.
4. Close the release valve by turning the handle completely clockwise
5. Be sure oil level is just below the threads in the oil fill plug hole. Replace and tighten the oil plug.
6. If efficiency is still low, remove oil plug and top off fluid reservoir in the aluminum base with hydraulic oil.
7. Replace the oil plug and repeat steps 1-5 above.
8. Wipe up any hydraulic oil overflow with a cloth.
9. Test the jack described under Operations (step 1 on page 4).

Oil Replacement:

NOTICE: Use premium quality hydraulic jack oil. Avoid mixing different types of fluid and NEVER use brake fluid, turbine oil, transmission fluid, motor oil or glycerin. Improper fluid can cause premature failure of the jack and the potential for sudden and immediate loss of load. ISO-VG22 or equivalent hydraulic oil is recommended.

1. Completely lower the saddle.
2. Place the jack on its side.
3. Remove the oil plug and drain old oil into a container.
4. Place jack upright and fill with high quality hydraulic jack oil to the lower rim of the fill hole.
5. Replace the oil plug.
6. Purge air from the hydraulic system as previously described.
7. Wipe up any hydraulic oil overflow with a cloth.
8. **Maintain tools with care.** Keep tools sharp and clean for better and safer performance. Follow instructions for lubricating and changing accessories. Inspect tool cords periodically and, if damaged, have them repaired by an authorized technician. The handles must be kept clean, dry, and free from oil and grease at all times.
9. **Stay alert.** Watch what you are doing, and use common sense. Do not operate any tools when you are tired.
10. **Check for damaged parts.** Before using any tool, any part that appears damaged should be carefully checked to determine that it will operate properly and perform its intended function. Check for alignment and binding of moving parts; any broken parts or mounting fixtures; and any other condition that may affect paper operation. Any part that is damaged should be properly repaired or replaced by a qualified technician. Call 636-327-9050 for tech assistance.
11. **Replacement parts and accessories.** When servicing use only identical replacement parts. Use of any other parts will void the warranty. Only use accessories intended for use with this tool.
12. **Do not operate tool if under the influence of alcohol or drugs.** Read warning labels if taking prescription medication to determine if your judgement or reflexes are impaired while taking drugs. If there is any doubt, do not operate the tool.

⚠ WARNING: *The warnings, cautions, and instructions discussed in this instruction manual can not cover all possible conditions and situations that may occur. It must be understood by the operator that common sense and caution are factors which cannot be built into this product, but must be supplied by the operator.*

Lubrication:

A periodic coating of light lubricating oil to pivot points, axles and hinges will help to prevent rust, and ensure that wheels, casters and pump assemblies move freely.

NOTICE: *Dispose of hydraulic fluid in accordance with local environmental regulations.*

Storage:

When not in use, store the jack with saddle fully lowered.

Cleaning:

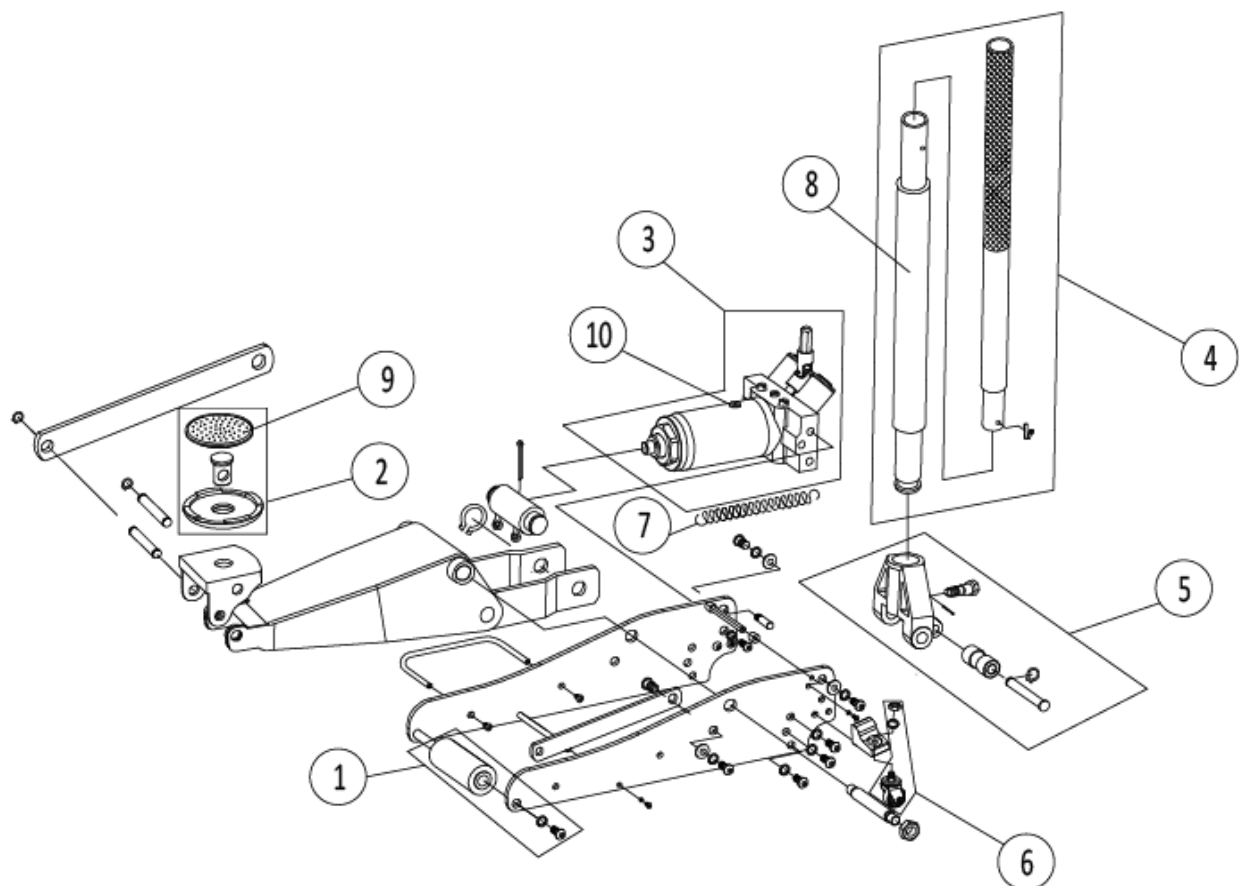
Periodically check pump piston and ram for signs of rust or corrosion. Clean as needed and wipe with an oily cloth.

TROUBLESHOOTING

Symptom	Possible Causes	Corrective Action
Jack will not lift load	<ul style="list-style-type: none"> • Release valve not tightly closed • Air is in hydraulic system • Load is too heavy • Low oil level • Power unit defective 	<ul style="list-style-type: none"> • Turn clockwise • Purge air from system • Consider higher capacity jack • Add oil as required • Power unit defective
Jack will not hold load	<ul style="list-style-type: none"> • Release valve not tightly closed • Hydraulic unit malfunction • Low oil level • Power unit defective 	<ul style="list-style-type: none"> • Ensure release valve is tightly closed • Discontinue use, call for Technical Assistance (636) 327-9050 • Add oil as required • Replace the Power Unit
Jack will not lower after unloading	<ul style="list-style-type: none"> • Reservoir overfilled • Linkages binding • Fluid level low 	<ul style="list-style-type: none"> • Drain fluid to proper level • Clean and lubricate moving parts • Ensure proper fluid level
Poor jack lifting	<ul style="list-style-type: none"> • Air is in hydraulic system • Low oil level • Power unit defective 	<ul style="list-style-type: none"> • Purge air from system • Add oil as required • Replace the power unit

ATD-7344B REPLACEMENT PARTS

Not all components of the jack are replacement items, but are illustrated as a convenient reference for position in the assembly sequence. When ordering parts, give model number, part number and description. Call your distributor for current pricing.



ITEM#	ORDERING PART#	DESCRIPTION
01	LTD1.5B-PJ-1	FRONT WHEEL ASSEMBLY
02	LTD1.5B-PJ-2	SADDLE WITH PAD
03	LTD1.5B-PJ-3	POWER UNIT ASSEMBLY
04	LTD1.5B-PJ-6	HANDLE ASSEMBLY WITH FOAM
05	LTD1.5B-PJ-5	HANDLE FORK ASSEMBLY
06	LTD1.5B-PJ-7	REAR CASTER ASSEMBLY
07	LTD1.5B-16	RETURN SPRINGS
08	LTD1.5B-PJ-8	HANDLE FOAM ONLY
09	LTD1.5B-PJ-9	SADDLE PAD ONLY
10	LTD1.5B-PJ-10	Oil Filler Screw w/ Seal
N/A	ATD7344A-L	PRODUCT LABEL

Figure 2 - Replacement Parts Illustration for model ATD-7344B Service Jack.
Please see the chart on the next page for part numbers.



THIS WARRANTY AND CONFIRMED RECEIPT(S) SHOULD BE RETAINED BY THE CUSTOMER AT ALL TIMES

PURCHASED FROM: _____

DATE PURCHASED: _____

INVOICE/RECEIPT NUMBER: _____

Your ATD-7344B is warranted for a period of 12 months from the original purchase date.

For a period of one (1) year from your purchase date, ATD Tools Inc. will repair or replace (at its option) without charge, your ATD product if it was purchased new and the product has failed due to a defect in material or workmanship which you experienced during normal use of the product. This limited warranty is your exclusive remedy.

To access the benefits of this warranty, call 636-327-9050 for warranty information. You may be advised to return the product or a portion of the product under warranty, freight prepaid, to the service department for warranty determination.

If this ATD product is altered, abused, misused, modified, or undergoes service by an unauthorized technician, your warranty will be void. We are not responsible for damage to ornamental designs you place on this ATD product and such ornamentation should not cover any warnings or instructions or they may void the warranty. This warranty does not cover scratches, superficial dents, and other abrasions to the paint finish that occur under normal use. It also does not cover normal wear items such as but not limited to brushes, batteries, drill bits, drill chucks, pads or blades.

Subject to the law in your state:

- (1) Your sole and exclusive remedy is repair or replacement of the defective product as described above.
- (2) ATD is not liable for any incidental damages, including but not limited to, lost profits and unforeseeable consequences.
- (3) The repair and replacement of this product under the express limited warranty described above is your exclusive remedy and is provided in lieu of all other warranties, express or implied. All other warranties, including implied warranties and warranties of merchantability or fitness for a particular purpose are disclaimed and, if disclaimer is prohibited, these warranties are limited to one year from your date of purchase of this product.

Some states' laws do not allow limited durations on certain implied warranties and some states' laws do not allow limitations on incidental or consequential damages. You should consult the law in your state to determine how your rights may vary.

[Affix receipt or invoice here for safe keeping]