



SPARE PARTS LIST

Model # Atd-7331

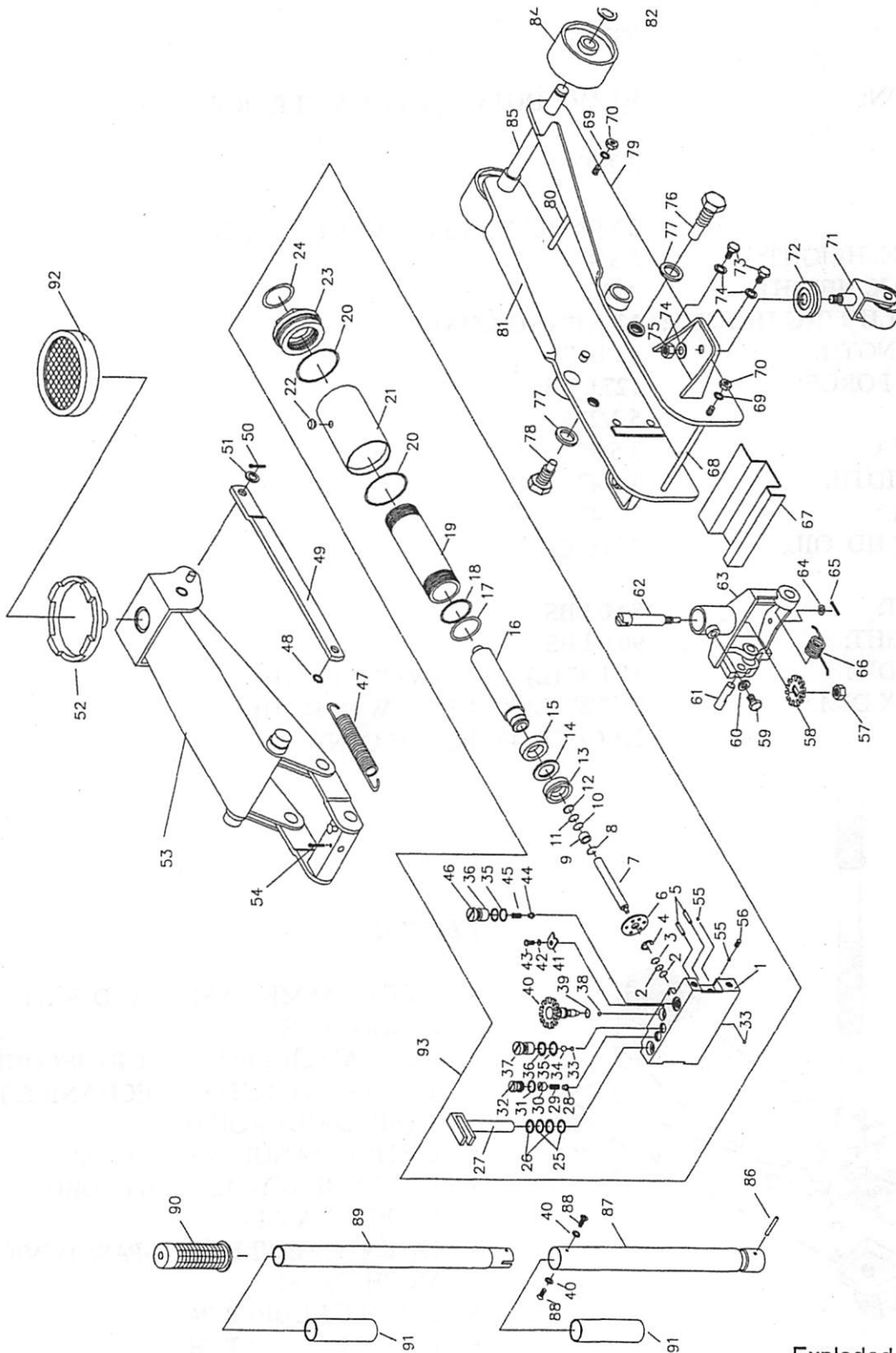
ITEM	PARTCODE	DESCRIPTION	QTY	ITEM	PARTCODE	DESCRIPTION	QTY
1	*	base	1	48	5304-00018-000	washer	2
2	*	o-ring	2	49	*	radius link	2
3	G593-03004-000	washer	1	50	5404-03025-000	retainer	2
4	5305-00006-000	washer	1	51	5308-00016-000	washer	2
5	B120-10003-000	filter	2	52	G080-00001-000	saddle	1
6	G593-03003-000	wahser	1	53	*	lift arm assy	1
7	*	ram plunger	1	54	5404-04040-000	retainer	1
8	5311-00020-000	washer	1	55	5601-00635-001	steel ball 6.35 dia.	3
9	G596-04102-000	guide ring	1	56	5109-10010-000	screw	2
10	*	back-up washer	1	57	5206-00010-000	nut	1
11	*	o-ring	1	58	G931-08002-000	release valve gear (1)	1
12	5308-00015-000	washer	1	59	5102-10016-000	screw	1
13	*	u-cup for ram	1	60	5303-00010-000	lock washer	1
14	*	back up washer	1	61	G070-00008-000	pin	1
15	G593-03001-000	bushing cover	1	62	G931-08003-000	release valve connect bar	1
16	*	ram plunger	1	63	*	handle fork	1
17	*	o-ring	1	64	5301-00008-000	washer	1
18	*	back-up washer	1	65	5404-02010-000	retainer	1
19	*	cylinder	1	66	G931-00009-000	handle fork spring	1
20	*	o-ring	2	67	G593-00001-000	back cover	1
21	G596-04003-000	reservoir	1	68	*	frame tie rod (I)	2
22	*	oil filler plug	1	69	5303-00008-000	lock washer	8
23	*	top nut	1	70	5204-00008-000	nut	8
24	*	o-ring	1	71	G931-05000-000	rear caster assy.	2
25	*	o-ring	2	72	G931-04000-000	bearings	2
26	*	back-up washer	2	73	G931-00010-000	screw	4
27	G596-04001-000	pump piston	1	74	5303-00012-000	lock washer	6
28	G931-07004-000	needle	1	75	5206-00012-000	nut	2
29	G931-07005-000	safety spring	1	76	G931-00011-000	R.H. handle bolt	1
30	G931-07006-000	screw safety valve	1	77	5303-00020-000	lock washer	2
31	*	o-ring	1	78	G934-00003-000	L.H. handle bolt	1
32	G593-03009-000	guard screw	1	79	*	R.H. side plate	1
33	5601-00550-000	steel ball 5.5 dia.	2	80	*	R.H. frame tie rod	1
34	5601-00750-000	steel ball 7.5 dia.	1	81	*	L.H. side plate	1
35	*	o-ring	2	82	5305-00015-000	snap ring "E"	2
36	*	back-up washer	2	83	5301-00020-000	washer	2
37	G593-03008-000	bolt	1	84	G934-00001-000	front wheel	2
38	5601-00300-000	steel ball 3.0 dia.	1	85	G597-00001-000	front axle	1
39	*	o-ring	1	86	5402-05032-000	spring pin	1
40	G890-04100-000	release valve assy.	1	87	G596-05000-000	handle (I)	1
41	G890-04001-000	washer	1	88	G596-00004-000	screw	4
42	5303-00006-000	lock washer	5	89	G596-06000-000	handle (II)	1
43	5104-06008-000	screw	1	90	G933-00001-000	handle grip	1
44	G593-03005-000	valve	1	91	G933-00002-000	saddle pad	1
45	G593-03006-000	spring	1	92	G597-00002-000	foam grip	2
46	G593-03007-000	screw	1	93	G596-04000-000	power unit	1
47	G931-00003-000	return spring	1				

* part is not available



3 Ton Magic Lift Service Jack

Model # Atd-7331

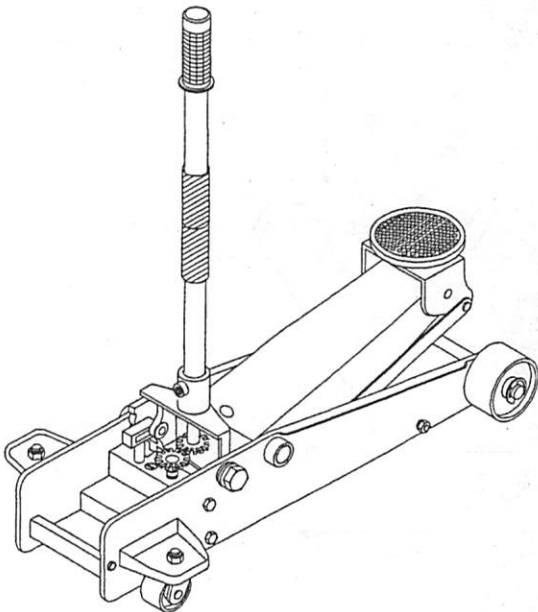


Exploded Drawing
1st Edition © Mar. 2001

ATD TOOLS, INC.

PRODUCT SPECIFICATIONS

MODEL #:	7331
DESCRIPTION:	HEAVY DUTY <i>Speedy Lift</i> SERVICE JACK
CAPACITY:	3 TON
JACK SIZE:	27 3/4" (L) X 13 3/8" (W) X 6 3/4" (H)
SADDLE MIN. HEIGHT:	5 3/4"
SADDLE MAX. HEIGHT:	20"
ONE PUMP LIFTING HEIGHT:	12 1/4" (NO LOAD)
HANDLE LENGTH:	42 1/8"
OPERATING FORCE:	127.0 LBS
SADDLE DIA.:	5 1/2"
F. WHEEL DIA.:	3 5/8"
F. WHEEL WIDTH:	2 1/4"
CASTER DIA.:	2 1/4"
VOLUME OF HD. OIL:	240 C.C.
NET WEIGHT:	84.0 LBS
GROSS WEIGHT:	90.0 LBS
INNER BOX DIM.:	31 1/4" (L) X 14" (W) X 7 1/4" (H)
CARTON BOX DIM.:	31 7/8" (L) X 14 5/8" (W) X 8" (H)
CUFT.:	2.1 CUFT (435 PCS/ 20' CTN)



FEATURE

- MEETS ASME/ANSI - PALD SAFETY STANDARDS
- NO LOAD LIFT POSSIBLE IN SECOND, TO SAVE TIME FOR MECHANICS IN THEIR DAILY ROUTINE
- LIFTING RANGE: 5 3/4" TO 20"
- EXTRA HEAVY-DUTY WELDED STEEL CHASSIS.
- PATENTED BUILT-IN BY-PASS DEVICE MECHANISM
- SADDLE RUBBER PAD
- HANDLE FOAM TUBE