



ATD-70435 ATD-70436 35" 6-Drawer Deluxe Service Cart Owner's Manual



FEATURES:

- Fully assembled with black hardware
- Central locking system allows access to drawers when lid is in the closed position
- Quick-release gas struts allow the lid to easily fold behind cart
- 110V, 4 outlet power strip with (2) USB ports
- Internal prybar and screwdriver racks
- (4) Bumpers prevent dents and damage
- Drawer lift latch securely keeps drawers closed
- Full extension roller bearing slides
- Deluxe drawer liners included
- (4) 265 lbs. capacity 5" x 2" swivel casters, (2) locking
- Casters are fully assembled at factory
- Welded, reinforced bottom channel support
- Cushion grip push handle

DIMENSIONS

	W (in.)	D (in.)	H (in.)	Capacity
Overall	34.6"	21.3"	43.6"	700 lbs.
Top Compartment	33.9"	19.9"	6.5"	100 lbs.
5.6" Drawer	28.4"	18.2"	5.6"	150 lbs.
2.2" Drawer	28.4"	18.2"	2.2"	75 lbs.
2.8" Drawers	28.4"	18.2"	2.8"	75 lbs. ea.
8.4" Drawer	28.4"	18.2"	8.4"	150 lbs.

READ AND UNDERSTAND THIS MANUAL BEFORE USING THIS PRODUCT

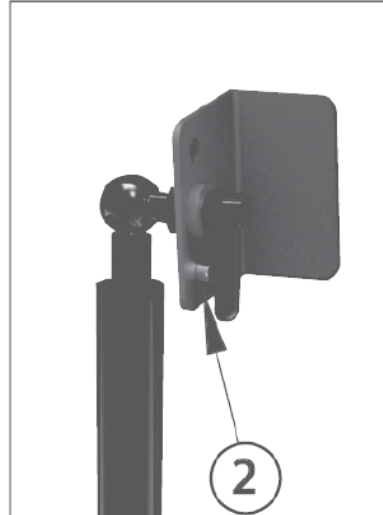
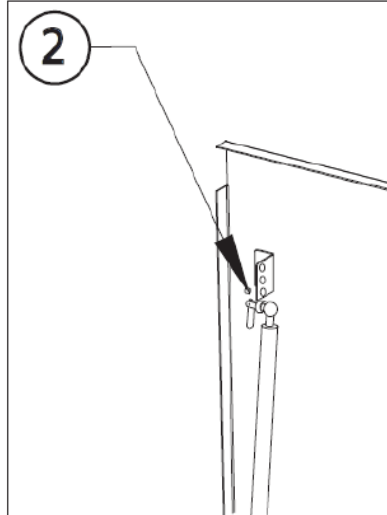
Do not open more than 1 drawer at a time as the cart can become unstable and tum over causing property damage and/or personal injury. Heed the warnings on all labels.

ASSEMBLY INSTRUCTIONS

Attach the push handle – it can be mounted on either side of the cart. Note that in the hardware package, 4 of the bolts are slightly longer. Use the 4 longer bolts to attach the handle. The other 4 shorter bolts are to be inserted into the other side of the cart to fill the handle mounting holes on that side.

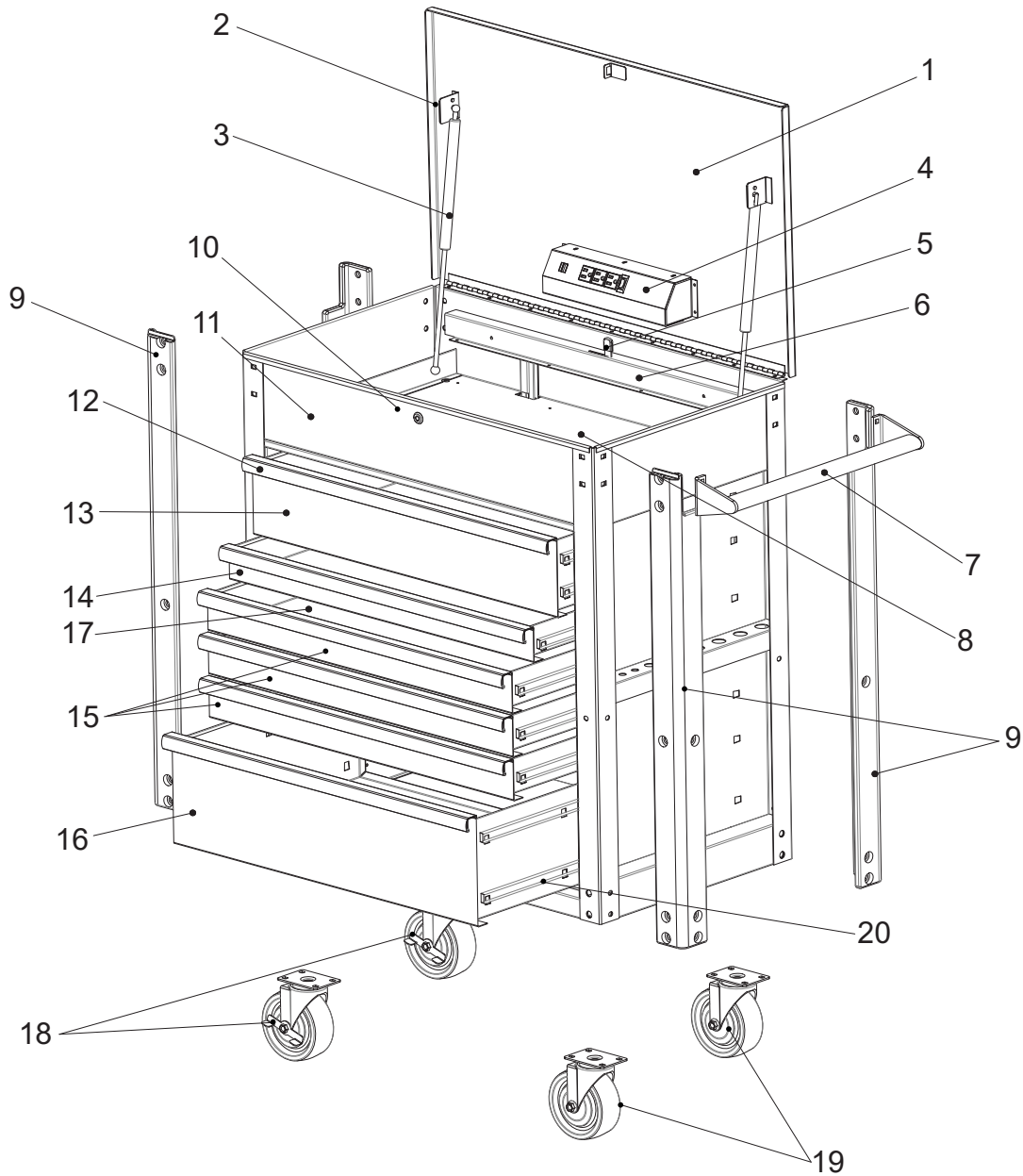
Tools needed for assembly – 13mm socket or wrench to tighten the handle bolts

NOTE: This cart has a quick disconnect feature on the gas struts. If you want to fold the lid down over the back, you can flip the “bayonette” on the end of the strut and then pop out the end of the strut. The magnet (#2) is there to keep the bayonette in place while in use.



REPLACEMENT PARTS

Not all components of the cart are replacement items, but are illustrated as a reference. When ordering parts, give model number, part number and description. Call your distributor for current pricing:



ITEM#	ORDERING PART#	PART DESCRIPTION	QTY
1	PRT70435-01	TOP LID - GREEN*	1
1	PRT70436-01	TOP LID - BLACK*	1
2	PRT70450-02	MAGNETIC STRUT LATCH	2
3	PRT70435-03	QUICK RELEASE GAS STRUTS	2
4	PRT70450-05	POWER STRIP	1
5	PRT70435-05	CENTRAL LOCKING SYSTEM	1
6	PRT70435-06	LOCK COVER - GREEN*	1
6	PRT70436-06	LOCK COVER - BLACK*	1
7	PRT70435-07	PUSH HANDLE	1
8	PRT70435-08	DRAWER LINER SET (7)	1
9	PRT70435-09	BUMPER	4
10	PRT70435-10	LOCK WITH 2 KEYS	1
11	PRT70435-11	BODY - GREEN*	1
11	PRT70436-11	BODY - BLACK*	1

ITEM#	ORDERING PART#	PART DESCRIPTION	QTY
12	PRT70435-12	DRAWER PULL	6
13	PRT70435-13	TOP DRAWER - GREEN*	1
13	PRT70436-13	TOP DRAWER - BLACK*	1
14	PRT70435-14	SECOND DRAWER - GREEN*	1
14	PRT70436-14	SECOND DRAWER - BLACK*	1
15	PRT70435-15	3RD, 4TH & FIFTH DRAWER - GREEN*	3
15	PRT70436-15	3RD, 4TH & FIFTH DRAWER - BLACK*	3
16	PRT70435-16	BOTTOM DRAWER - GREEN*	1
16	PRT70436-16	BOTTOM DRAWER - BLACK*	1
17	PRT70435-08	DRAWER LINER SET (7)	6
18	PRT70450-20	5" LOCKING CASTER	2
19	PRT70450-18	5" NON-LOCKING CASTER	2
20	PRT70435-20	DRAWER SLIDE	8

* PART NUMBER INDICATES COLOR - ORDER CAREFULLY



ATD[®]

WARRANTY

1 YEAR LIMITED WARRANTY

THIS WARRANTY AND CONFIRMED RECEIPT(S) SHOULD BE RETAINED BY THE CUSTOMER AT ALL TIMES

PURCHASED FROM: _____

DATE PURCHASED: _____

INVOICE/RECEIPT NUMBER: _____

Your ATD-70435 or ATD-70436 is warranted for a period of 12 months from the original purchase date.

For a period of one (1) year from your purchase date, ATD Tools, Inc. will repair or replace (at its option) without charge, your ATD product if it was purchased new and the product has failed due to a defect in material or workmanship which you experienced during normal use of the product. This limited warranty is your exclusive remedy.

To access the benefits of this warranty, contact your supplier, or point of sale directly. You may be advised to return the product under warranty, freight prepaid, to your supplier for warranty determination.

If this ATD product is altered, abused, misused, modified, or undergoes service by an unauthorized technician, your warranty will be void. We are not responsible for damage to ornamental designs you place on this ATD product and such ornamentation should not cover any warnings or instructions or they may void the warranty. This warranty does not cover scratches, superficial dents, and other abrasions to the paint finish that occur under normal use. It also does not cover normal wear items such as but not limited to brushes, batteries, drill bits, drill chucks, pads or blades.

Subject to the law in your state:

- (1) Your sole and exclusive remedy is repair or replacement of the defective product as described above.
- (2) ATD is not liable for any incidental damages, including but not limited to, lost profits and unforeseeable consequences.
- (3) The repair and replacement of this product under the express limited warranty described above is your exclusive remedy and is provided in lieu of all other warranties, express or implied. All other warranties, including implied warranties and warranties of merchantability or fitness for a particular purpose are disclaimed and, if disclaimer is prohibited, these warranties are limited to one year from your date of purchase of this product.

Some states' laws do not allow limited durations on certain implied warranties and some states' laws do not allow limitations on incidental or consequential damages. You should consult the law in your state to determine how your rights may vary.

[Affix receipt or invoice here for safe keeping]