



ATD-70325 Heavy-Duty Tear Down Table with Drain Owner's Manual



Features:



- Heavy duty tear down table with all steel construction will support 1000 lbs (454kg) total weight
- Reinforced steel top with a 1/2" lip on all sides
- Offset drain for fluid containment in the removable 3 gallon drain pan
- Lockable storage drawer
- 4" swivel casters allows easy movement within the shop
- 2 locking swivel casters for keeping your table in place

Specifications:

- Bench Size: 48" W x 32" D x 41" H
- Weight Capacity: 1,000 lbs.
- Shipping Weight: 145 lbs.

SAFETY INFORMATION

The following explanations are displayed in this manual, on the labeling, and on all other information provided with this product:

-  **DANGER** indicates a hazardous situation which, if not avoided, will result in death or serious injury.
-  **CAUTION** used with the safety alert symbol, indicates a hazardous situation which, if not avoided, could result in minor or moderate injury.

READ INSTRUCTIONS

- Thoroughly read and understand this manual before using.
- Save for future reference.

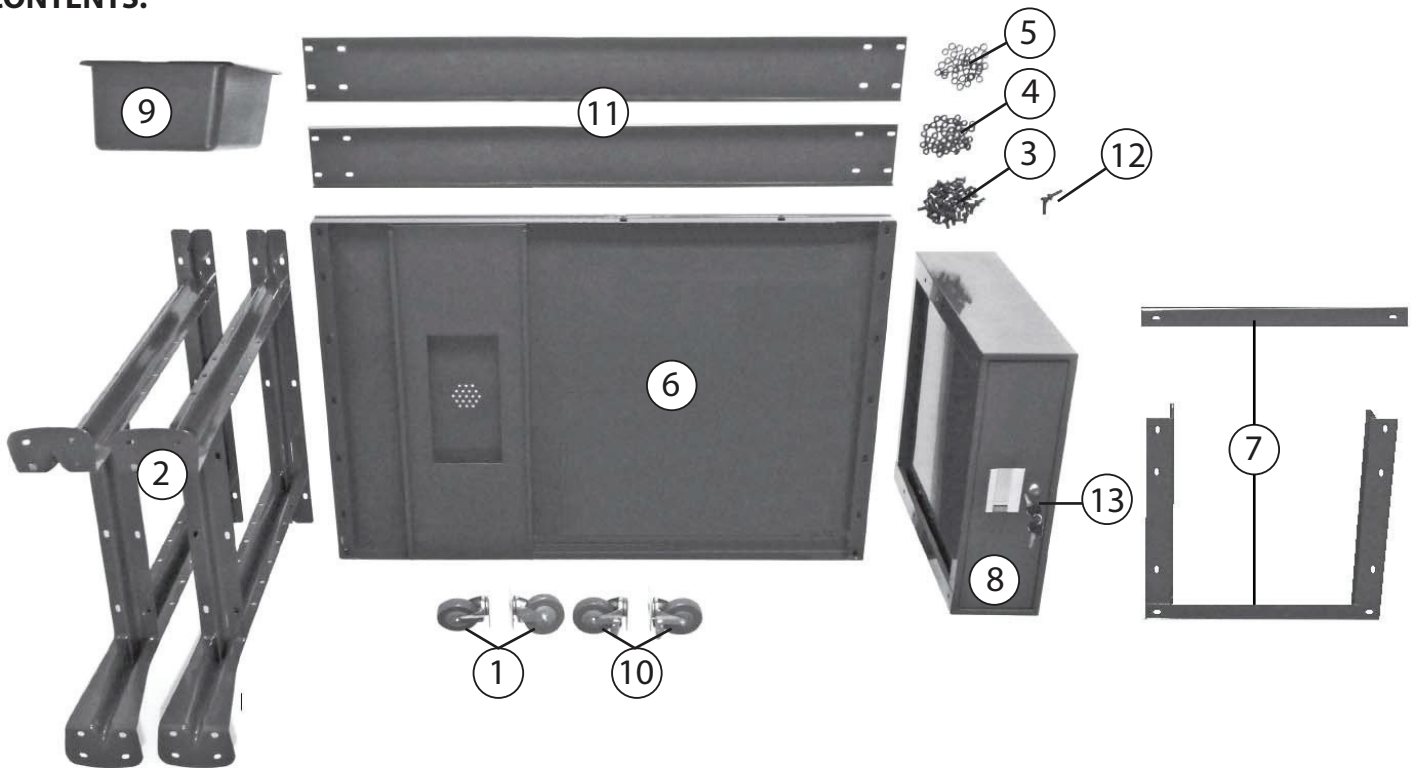
FALL HAZARD

- Awkward, out of balance body positions may be attempted while trying to reach specific areas of objects placed on the Tear-Down Table during use. Failure to ensure proper footing can quickly result in a fall which could inflict serious personal injury or property damage.
- This Tear-Down Table is designed for use in dismantling mechanical components only.
- **DO NOT** concentrate a heavy load to any corner or edge of the Tear-Down Table. This can cause the balance to shift suddenly, tipping the Tear-Down Table forward.
- **DO NOT** exceed the rated 1000 lbs. [454 kg] weight capacity.
- **DO NOT** use as a seat.
- **DO NOT** stand on the Tear-Down Table.
- **DO NOT** use the top of the Tear-Down Table as a storage surface.

PINCH HAZARD

- This Tear-Down Table has moveable components that can crush and pinch. Keep fingers and hands away from pinch points when operating.

CONTENTS:



ASSEMBLY

- Begin by placing the table top [6] upside down on a soft surface.

NOTE: There are two drawer mounts and frame members [7] attached to the table top [6] with four M8 bolts. This is done for shipping purposes and must be temporarily removed and set aside for later re-assembly (FIG 1).

- Set the flanged rail of a leg assembly [2] with three punched holes aligned with three punched holes in the underside flange on one side of the table top [6]. Secure with three M8 x 15 bolts [3] washers [5] and M8 nuts [4] (FIG 2).
- Repeat for 2nd leg assembly [2].

NOTE: The drawer assembly [8] consists of two major components: The drawer and drawer box. They are shipped assembled and must be separated in order to complete the installation on the table top.

To separate:

- Locate the drawer glide latches (FIG 3 & 4) and press DOWN on the right side latch and simultaneously press UP on the left side latch while pulling the drawer OUT of the drawer box.
- Set the drawer aside for later re-assembly.
- Attach the "U" shaped rear frame member [7] (previously removed from the table top) to the drawer box [8] with four M8 x 15 bolts [3], washers [5] and M8 nuts [4] through the four rear most holes of the drawer box (FIG 5).
- Attach the straight front frame member [7] (previously removed from the table top) to the drawer box [8] with two M8 x 15 bolts [3] washers [5] and M8 nuts [4] through the two front holes of the drawer box (FIG 5).
- Place the above assembled drawer frame and box upside down into the table top [6] and re-attach with the four previously removed M8 bolts (FIG 6).
- Locate the lowest set of four punched holes in the legs [2] and align the punched holes of a cross brace [11] and attach with four M8 x 15 bolts [3], washers [5] and M8 nuts [4] (FIG 7). Repeat at other end of leg brace.
- Repeat with the remaining leg brace [11].
- Casters [1] & [10] may be added to the leg assemblies at this time. Bolt two swivel casters with brakes [10] to the FRONT legs (face with drawer opening) using four M8 x 15 bolts [3], washers [5] and M8 nuts [4] (FIG 8).
- Attach two swivel casters [1] to the REAR legs with four M8 x 15 bolts [3], washers [5] and M8 nuts [4] (FIG 9).



CAUTION:

Due to the size and considerable weight of the tear-down table it is necessary to obtain the assistance of a capable helper during the following step:

- With your helper lifting the opposite side, carefully raise and rotate the tear-down table so that it may be set down on the casters.
- Slide the plastic drain pan [9] into the guides under the drain located at the left side of the table top [6]. Push in until it contacts the stop bolts [12] in the guides.
- Slide the previously removed drawer into the drawer box making sure the drawer glide latches engage fully and the face of the drawer closes flush with the face of the drawer box.
- Your ATD-70325 Heavy-Duty Tear-Down Table with Drain is now ready for use.

FIG. 1

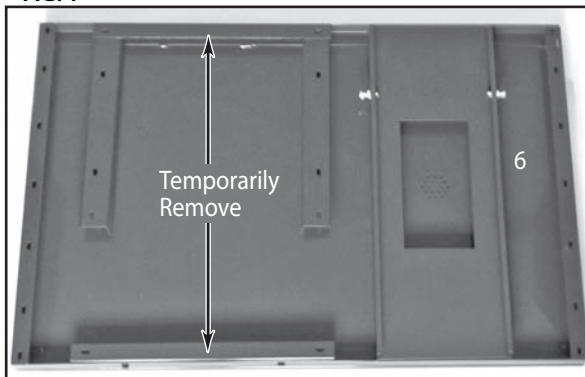


FIG. 2

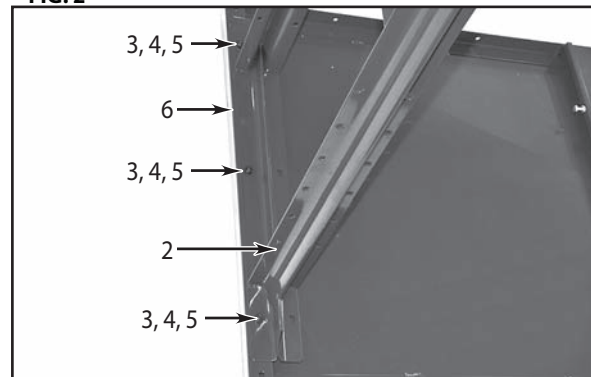


FIG. 3

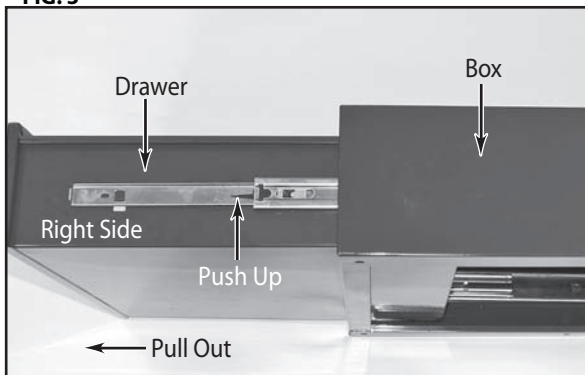


FIG. 4

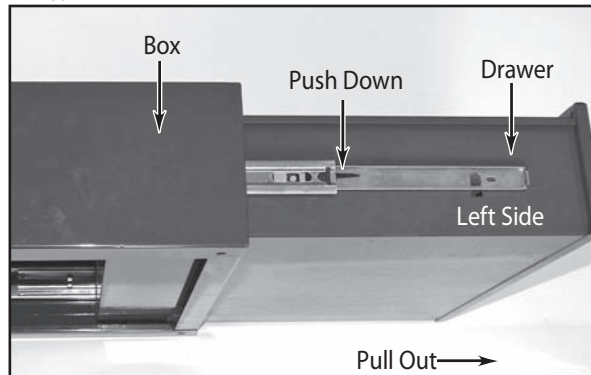


FIG. 5

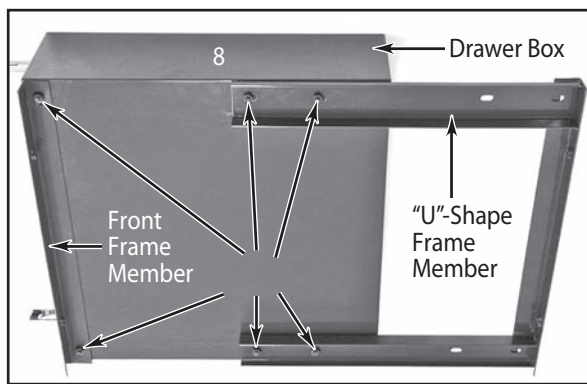


FIG. 6

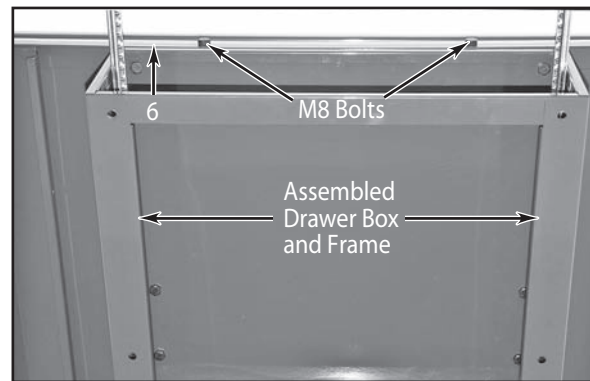


FIG. 7

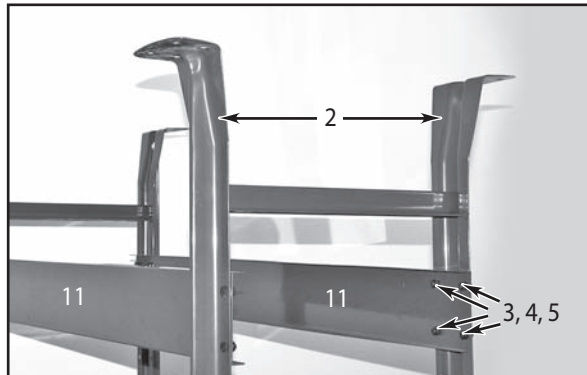


FIG. 8

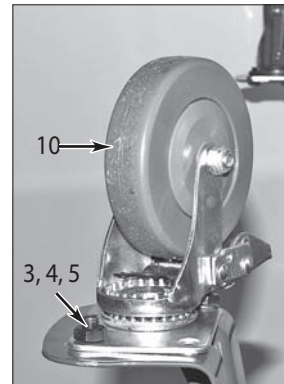
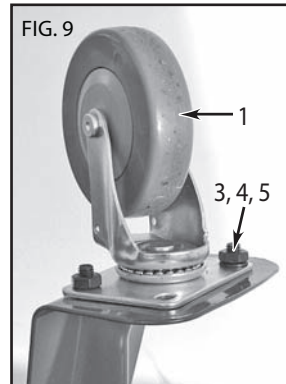


FIG. 9



OPERATION

- The two locking swivel casters [10] can be locked by pressing down on the brake lever. This will prevent the Tear-Down Table from moving. To release brake feature, lift up on brake lever.

MAINTENANCE

This Tear-Down Table and Drawer are finished in rugged powder coating which will provide many years of service however it is advisable to keep the finish clean and free from excessive dust and dirt.

- Keep the Tear-Down Table in a clean and dry environment. DO NOT store it in or expose it to a damp or wet environment.
- Occasionally inspect all components for potential damage and proper alignment. Check all hardware for tightness.
- **DO NOT** use if damage is discovered.
- **DO NOT** place heavy components on one extreme corner or edge of the Tear-Down Table. This can cause the balance to shift suddenly, tipping the Tear-Down Table.
- Store the Tear-Down Table on a flat, level surface only to prevent possible unattended rolling and property damage.
- Always remove and empty the Drain Pan after each use to avoid hazardous material spills.
- Periodically clean Drawer of accumulated grease or other debris.

TO REMOVE DRAWER

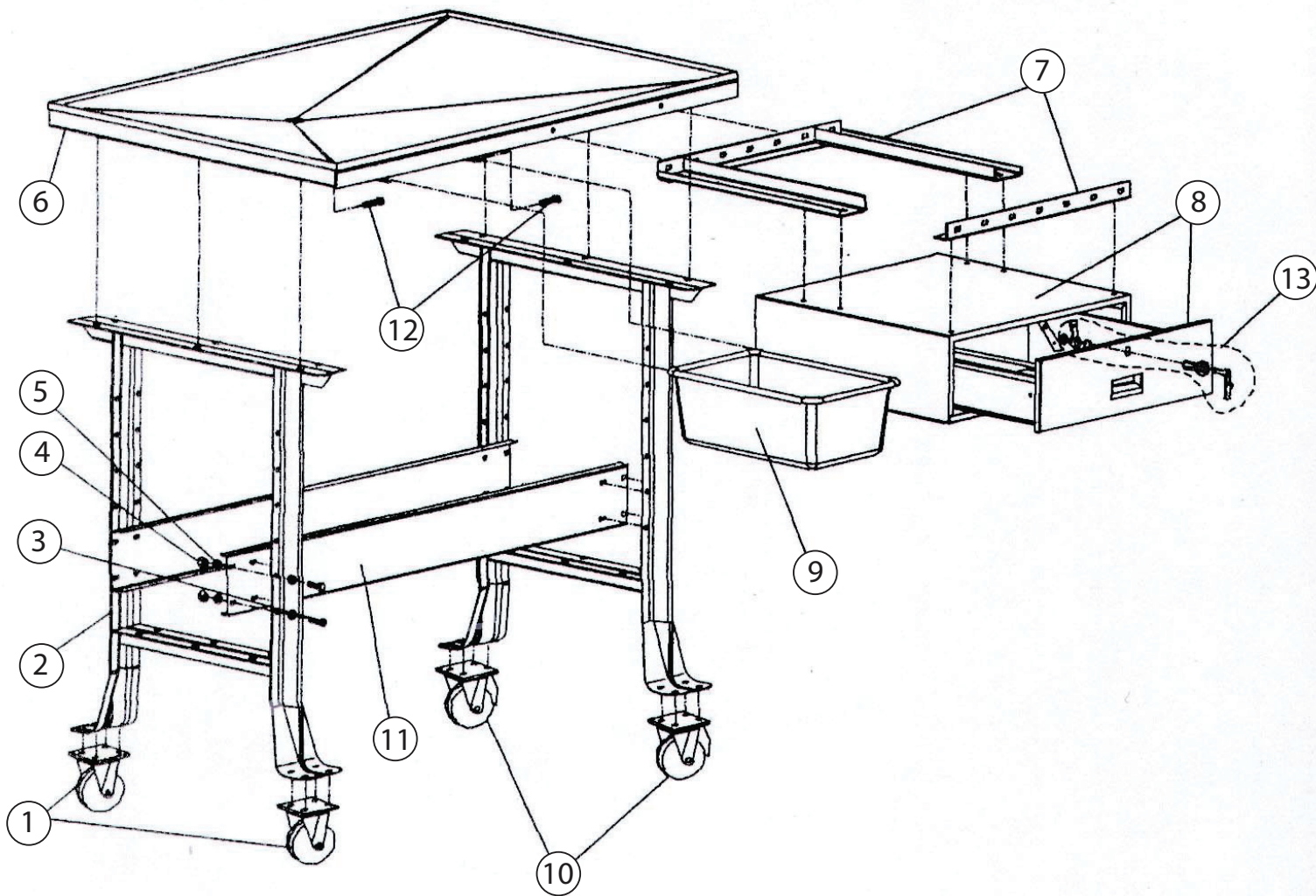
- Locate the drawer glide latches (FIG 3 & 4) and press DOWN on the right side latch and simultaneously press UP on the left side latch while pulling the drawer OUT of the drawer box.

TO REPLACE DRAWER

- Slide the drawer into the glides making sure the drawer glide latches engage fully and the face of the drawer closes flush with the face of the drawer box and table.



ATD-70325



ITEM#	ORDERING PART#	PART DESCRIPTION
1	PRT70325-01	NON-LOCKING CASTER
2	PRT70325-02	LEG ASSEMBLY
3	PRT70325-HK	SCREW (M8 x 15)
4	PRT70325-HK	NUT (M8)
5	PRT70325-HK	WASHER
6	PRT70325-06	TABLE TOP
7	PRT70325-07	DRAWER FRAME
8	PRT70325-08	METAL DRAWER ASSEMBLY
9	PRT70325-09	DRAIN PAN
10	PRT70325-10	LOCKING CASTER
11	PRT70325-11	LEG BRACE
12	PRT70325-HK	SCREW (M8 x 30)
13	PRT70325-13	LOCK WITH KEYS

Not all components are replacement items, but are illustrated as a convenient reference of parts location and for reference to the assembly instructions.
 Call your distributor for current pricing. When ordering parts, give part number and parts description.



WARRANTY

1 YEAR LIMITED WARRANTY

THIS WARRANTY AND CONFIRMED RECEIPT(S) SHOULD BE RETAINED BY THE CUSTOMER AT ALL TIMES

PURCHASED FROM: _____

DATE PURCHASED: _____

INVOICE/RECEIPT NUMBER: _____

Your ATD-70325 is warranted for a period of 12 months from the original purchase date.

For a period of one (1) year from your purchase date, ATD Tools Inc. will repair or replace (at its option) without charge, your ATD product if it was purchased new and the product has failed due to a defect in material or workmanship which you experienced during normal use of the product. This limited warranty is your exclusive remedy.

To access the benefits of this warranty, contact your supplier, or point of sale directly. You may be advised to return the product under warranty, freight prepaid, to your supplier for warranty determination.

If this ATD product is altered, abused, misused, modified, or undergoes service by an unauthorized technician, your warranty will be void. We are not responsible for damage to ornamental designs you place on this ATD product and such ornamentation should not cover any warnings or instructions or they may void the warranty. This warranty does not cover scratches, superficial dents, and other abrasions to the paint finish that occur under normal use. It also does not cover normal wear items such as but not limited to brushes, batteries, drill bits, drill chucks, pads or blades.

Subject to the law in your state:

- (1) Your sole and exclusive remedy is repair or replacement of the defective product as described above.
- (2) ATD is not liable for any incidental damages, including but not limited to, lost profits and unforeseeable consequences.
- (3) The repair and replacement of this product under the express limited warranty described above is your exclusive remedy and is provided in lieu of all other warranties, express or implied. All other warranties, including implied warranties and warranties of merchantability or fitness for a particular purpose are disclaimed and, if disclaimer is prohibited, these warranties are limited to one year from your date of purchase of this product.

Some states' laws do not allow limited durations on certain implied warranties and some states' laws do not allow limitations on incidental or consequential damages. You should consult the law in your state to determine how your rights may vary.

[Affix receipt or invoice here for safe keeping]