



ATD-7021 LOCKING DRAWER FOR ATD-7020 OWNER'S MANUAL



Shown assembled with ATD-7020 Service Cart,
ATD-7022 Folding Shelf and ATD-7138 Screwdriver holder (not included)

Features:

- Can mount on most carts with inner dimensions of 28" wide x 14" deep or more
- Overall: 28" W x 15-1/2" D x 5-1/2" H
- Shown with the ATD-7020 2-Shelf Heavy-Duty Cart with optional add-ons (ATD-7022 folding shelf and ATD-7138 locking screwdriver holder)
- Cart, add-on accessories and tools in photo not included

ATD-7021 LOCKING DRAWER ASSEMBLY INSTRUCTIONS:

1. Turn the cart on its handles as shown in figure 1. There are 4 pre-punched holes on the ATD-7020 cart already, tap out the pre-punched tabs to install the ATD-7021 drawer.
2. Remove the sliding drawer from the drawer frame and remove the nuts and bolts in each corner to access the holes in the frame rail. Line up the holes in the bottom of the cart tray with the holes in the frame rail of the drawer.
3. Insert bolts from the topside of the cart shelf, and secure with nuts underneath.
4. Turn the cart back onto its casters and attach the handle to the front of the drawer with the screws provided.
5. Insert the drawer into the drawer frame.

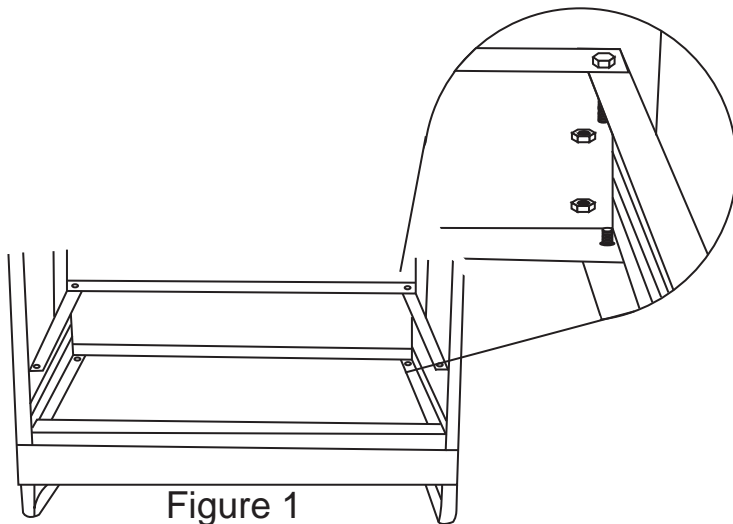


Figure 1



Finished Cart

SPARE PARTS AND ACCESSORIES

ORDERING PART#	PART DESCRIPTION
PRT7021-02	DRAWER LOCK W/KEYS
PRT7021-03	DRAWER SLIDES (PAIR)

Other Available Accessories For ATD-7020:

- ATD-7020 2-Shelf Heavy-Duty Service Cart
- ATD-7022 Folding Shelf
- ATD-7138 Locking Screwdriver Holder