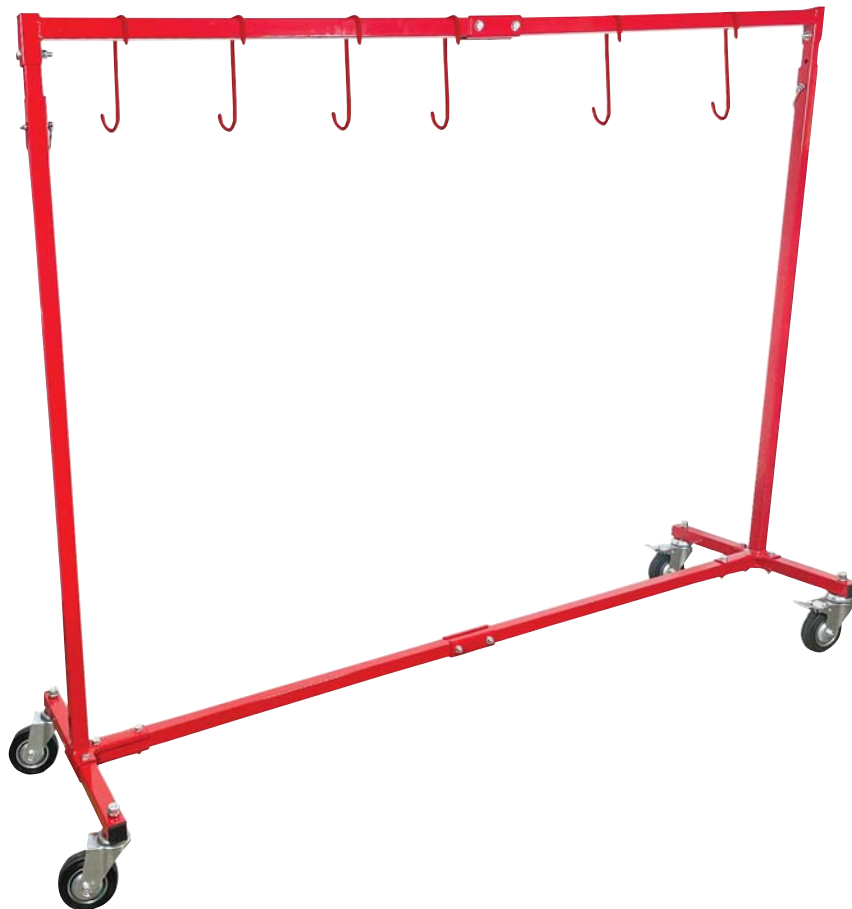




ATD-6575 Adjustable Paint Hanger Owner's Manual



Features:

- Ideal for painting fenders, doors, tailgates, and hoods
- Durable powder-coated steel tubing
- Frame is adjustable from 50" min. to 80" max. height
- (6) hooks hold parts for painting or drying
- (4) 4" polyurethane swivel casters, (2) locking

Specifications:

- Total Capacity: 220 lbs.
- Overall Width: 70" x 19.5"
- Height adjusts from 50"-80"

GENERAL SAFETY INSTRUCTIONS

- Not for use by unqualified people or children
- Not to be used as a climbing frame or anchor point
- Tie back long hair and avoid wearing loose clothing when using this hanger
- Use on a stable and dry surface
- Keep your work area clean and tidy at all times

ASSEMBLY INSTRUCTIONS

NOTE: Leave ALL nuts and bolts finger tight until it is all assembled, then align unit and tighten bolts.

- 1) Slide M8 x 50 bolts (#8) through a washer, then through the MAIN FRAME (#2), the FRAME AXLE (#1) and the BOTTOM FRAME (#3). Fit the T BRACKET CLAMP over the bolts and secure with a washer and a nut on each bolt. (See figure 1) Repeat this step for the other side.
- 2) Secure TOP FRAME (#4) to ADJUSTING FRAME (#5) with the same procedure outlined in step 2 (Washer, bolt, washer nut). (See figure 2) Repeat this step for the other side. Adjust TOP FRAME (#5) to desired height and secure with ADJUSTING PIN (#9) by inserting it through the pre-drilled adjustment holes.
- 3) Secure both assemblies in the center of the TOP FRAME (#4) and the center of the BOTTOM FRAME (#3) with the 2-HOLE FRAME BRACKET CLAMPS (#6) and the bolt, washer, washer, nut combination used in steps 1 and 2. (See figure 3) **NOTE:** Be sure the lip of the 2-HOLE BRACKET CLAMPS (#6) wrap around the TOP and BOTTOM FRAMES.
- 4) Check alignment of the completed frame and tighten ALL bolts at this time, then attach CASTERS (#10) to the FRAME AXLE (#1) portion of your completed frame on both ends. (See figure 4). It is advisable that you attach the two locking casters to the same end of your Adjustable Paint Hanger, for ease of operation.
- 5) Hang your HOOKS (#7) from the top frame, and your ATD-6575 Adjustable Paint Hanger is ready for use.

FIGURE 1

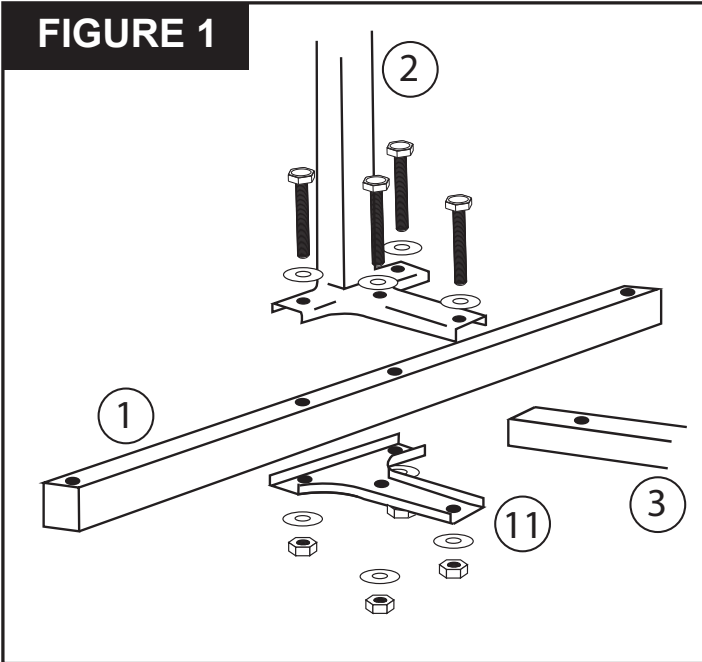


FIGURE 2

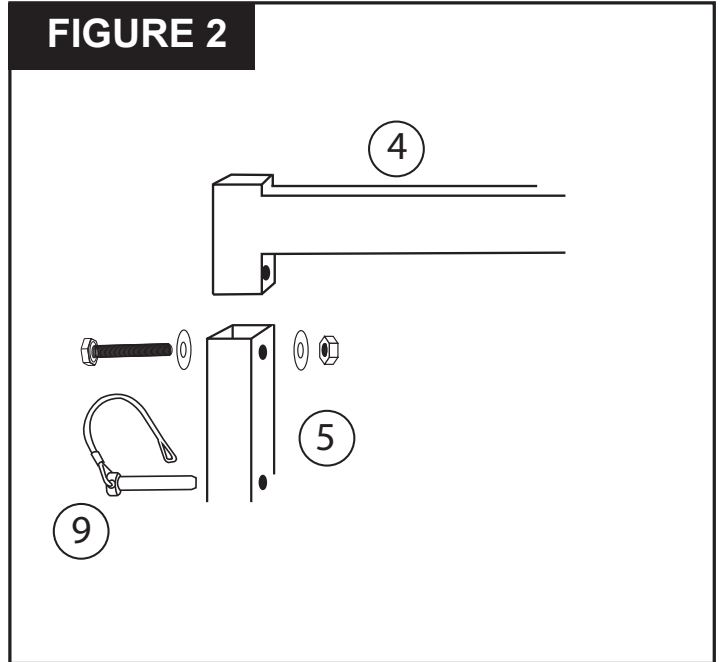


FIGURE 3

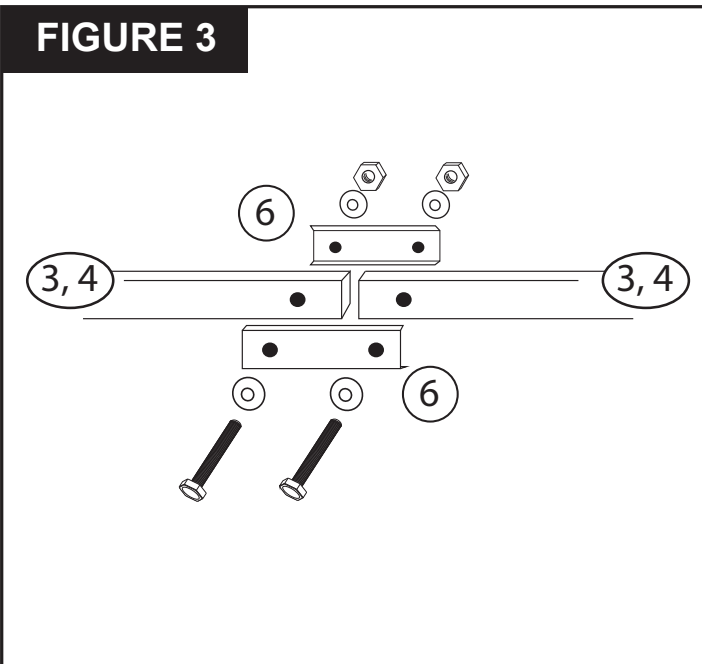
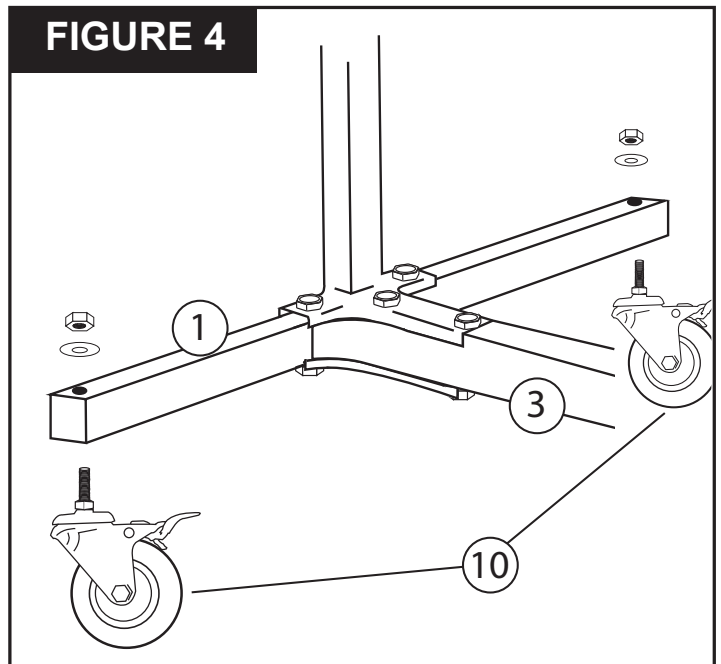
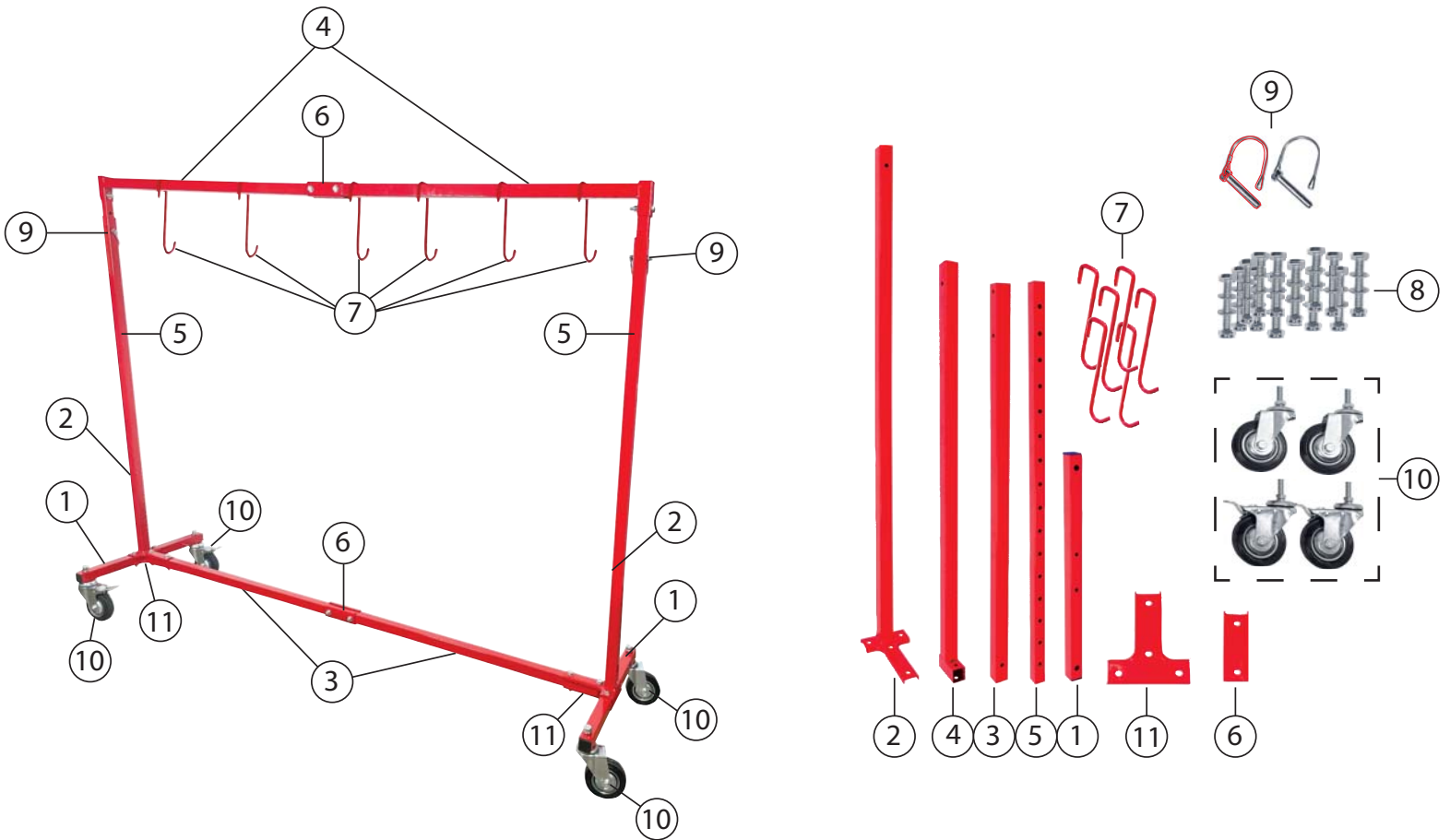


FIGURE 4



REPLACEMENT PARTS

Not all components of this unit are replacement items, but are illustrated as a reference for assembly. Call your distributor for current pricing. When ordering parts, give model number, part number and description.



ITEM#	ORDERING PART#	PART DESCRIPTION	QTY
1	PRT6575-01	FRAME AXLE	2
2	PRT6575-02	MAIN FRAME	2
3	PRT6575-03	BOTTOM FRAME	2
4	PRT6575-04	TOP FRAME	2
5	PRT6575-05	ADJUSTING FRAME	2
6	PRT6575-06	2-HOLE FRAME BRACKET CLAMP	4
7	PRT6575-07	HANGING HOOKS	6
8	PRT6575-HK	HARDWARE KIT (M8x50)	14
9	PRT6575-09	ADJUSTING PIN	2
10	PRT6575-10	CASTER SET	1
11	PRT6575-11	T BRACKET CLAMP	2



WARRANTY
1 YEAR LIMITED WARRANTY

THIS WARRANTY AND CONFIRMED RECEIPT(S) SHOULD BE RETAINED BY THE CUSTOMER AT ALL TIMES

PURCHASED FROM: _____

DATE PURCHASED: _____

INVOICE/RECEIPT NUMBER: _____

Your ATD-6575 is warranted for a period of 12 months from the original purchase date.

For a period of one (1) year from your purchase date, ATD Tools, Inc. will repair or replace (at its option) without charge, your ATD product if it was purchased new and the product has failed due to a defect in material or workmanship which you experienced during normal use of the product. This limited warranty is your exclusive remedy.

To access the benefits of this warranty, contact your supplier, or point of sale directly. You may be advised to return the product under warranty, freight prepaid, to your supplier for warranty determination.

If this ATD product is altered, abused, misused, modified, or undergoes service by an unauthorized technician, your warranty will be void. We are not responsible for damage to ornamental designs you place on this ATD product and such ornamentation should not cover any warnings or instructions or they may void the warranty. This warranty does not cover scratches, superficial dents, and other abrasions to the paint finish that occur under normal use. It also does not cover normal wear items such as but not limited to brushes, batteries, drill bits, drill chucks, pads or blades.

Subject to the law in your state:

- (1) Your sole and exclusive remedy is repair or replacement of the defective product as described above.
- (2) ATD is not liable for any incidental damages, including but not limited to, lost profits and unforeseeable consequences.
- (3) The repair and replacement of this product under the express limited warranty described above is your exclusive remedy and is provided in lieu of all other warranties, express or implied. All other warranties, including implied warranties and warranties of merchantability or fitness for a particular purpose are disclaimed and, if disclaimer is prohibited, these warranties are limited to one year from your date of purchase of this product.

Some states' laws do not allow limited durations on certain implied warranties and some states' laws do not allow limitations on incidental or consequential damages. You should consult the law in your state to determine how your rights may vary.

[Affix receipt or invoice here for safe keeping]