



ATD-6570 Rotating Paint Panel Stand Owner's Manual



FEATURES:

- Universal stand handles fenders, doors, hoods and bumpers
- (8) Adjustable bars hold panels securely
- Portable for fast movement from prep to spray booth
- Round handle allows 350° rotation in 16° increments
- 200 lbs. capacity

General Safety Information:

1. This panel stand is not to be used for any other purpose than intended. It is intended for storage of fenders, doors, hoods and bumpers prior to preparation and spraying.
2. This panel stand is not to be used by unqualified persons or minors.
3. This panel stand is not to be used as a climbing frame or an anchor point.
4. Tie back long hair and do not wear loose clothing when using this panelstand.
5. Wear appropriate PPE (personal protective equipment) at all times when using the panel stand.
6. Use on a stable, level and dry surface only.
7. Keep your work area clean and tidy at all times.
8. Do not put more than 200 lbs. on this panel stand at any time, and keep load balanced.
9. Do not carry out any work in such a way that you will compromise the integrity of the stand or the safety of yourself, colleagues, visitors, or in any manner that will cause damage to property.

Assembly Instructions:

Please refer to the diagrams on the following pages for these steps:

1. Check to be sure all of the parts and hardware are present.
2. If you are missing parts or hardware, please contact your point of sale immediately.
3. Bolt Front Brace (#11) onto Front Stabilizer (#28)
4. Bolt Rear Brace (#4) to Axle (#6)
5. Slide Wheels (#7) onto Axle ends (#6) and secure with Flat Washers and Cotter Pins (#23 & #24)
6. Bolt Tool Tray (#5) and Handle (#29) between Front and Rear Braces (#11 and #4)
7. Slide Adjustable Gear Handle (#10) into the Front Brace (#11)
8. Slide Stand Pole (#1) onto Adjustable Gear Handle (#10) and secure with Bolt, Ring Washer, Plastic Bushing and Washer (#17, #26, #18 & #22)
9. Slide Stand Extension Pole (#2) into Stand Pole (#1)
10. Bolt Spray Gun Holder (#25) to the inside of front Brace (#11)
11. Install Arm by sliding Buckle (#14) over Stand Pole (#1) and screwing the Knob (#15) onto the Buckle (#14)
Tightening the Knob (#15) will create tension to hold the Arm(s) (#8 & #9) securely to the Stand Pole (#1) and will be used to adjust the Arms as well.
12. Repeat for all Arms and Prop Arms.
13. Slide Handle (#16) onto Stand Extension Pole (#2) and tighten with Hand Screw provided
14. Setup complete



1



1



3



4



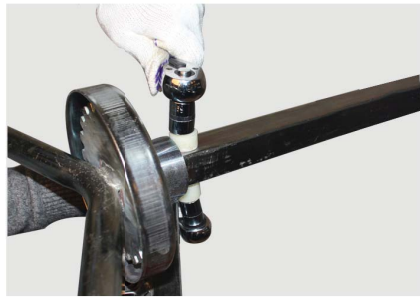
5



6



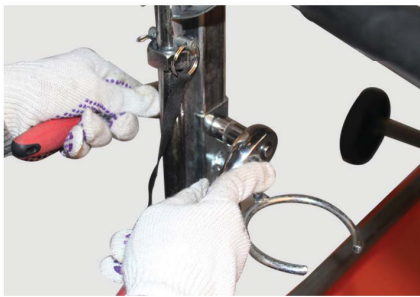
7



8



9



10



11



12



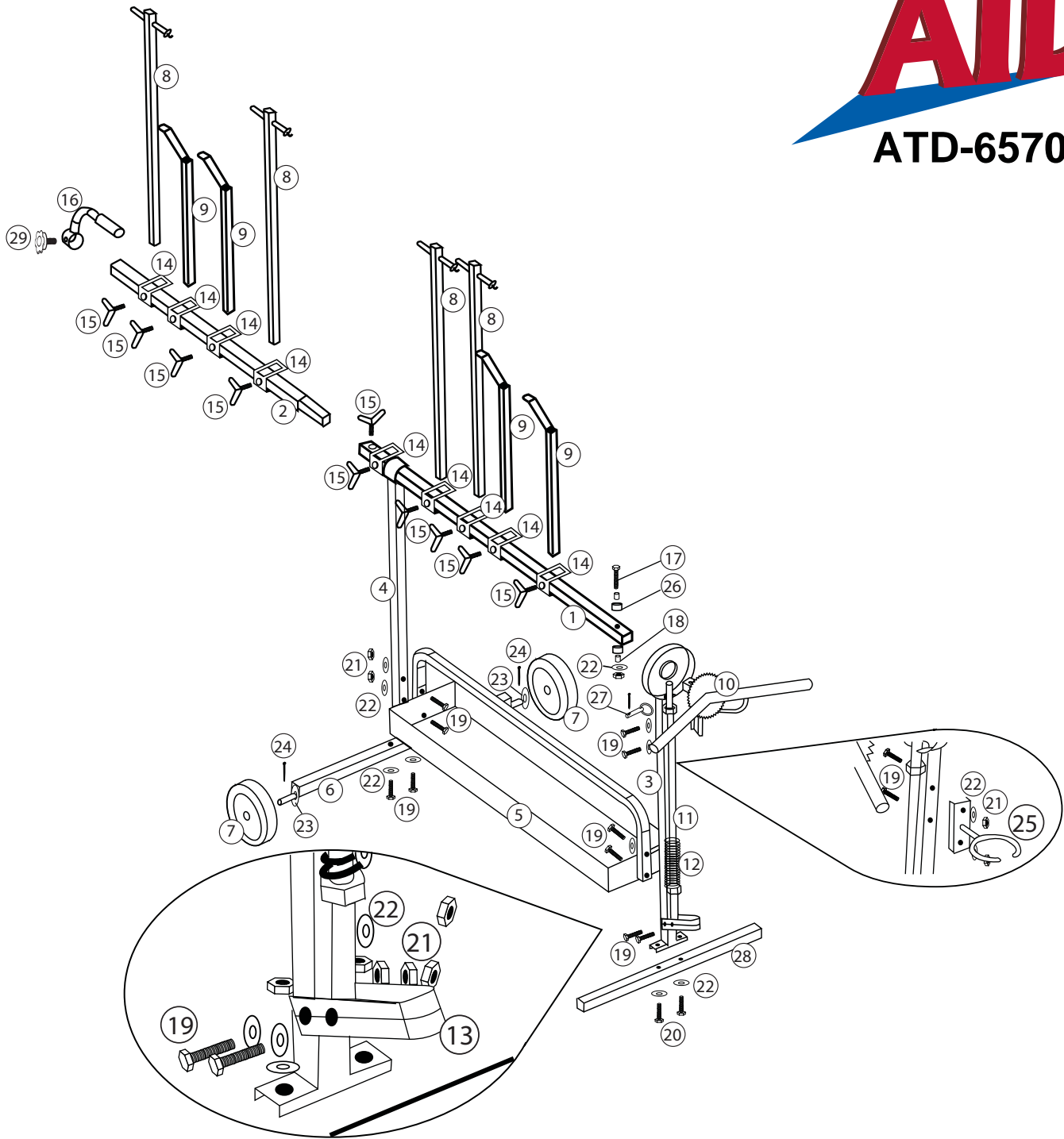
13



14

ATD®

ATD-6570



ITEM#	ORDERING PART#	PART DESCRIPTION	QTY
1	PRT6570-01	STAND POLE	1
2	PRT6570-02	STAND EXTENSION POLE	1
3	PRT6570-03	FRONT BRACE	1
4	PRT6570-04	REAR BRACE	1
5	PRT6570-05	TOOL TRAY	1
6	PRT6570-06	AXLE	1
7	PRT6570-07	WHEEL	2
8	PRT6570-08	ARM	4
9	PRT6570-09	PROP ARM	2
10	PRT6570-10	ADJUSTABLE GEAR HANDLE	1
11	PRT6570-11	FRONT BAR	1
12	PRT6570-12	FRONT SPRING	1
13	PRT6570-13	PEDAL	1
14	PRT6570-14	BUCKLE	6
15	PRT6570-15	KNOB	9

ITEM#	ORDERING PART#	PART DESCRIPTION	QTY
16	PRT6570-16	HANDLE	1
17	PRT6570-HK	BOLT, M8 x 75	1
18	PRT6570-HK	PLASTIC BUSHING	2
19	PRT6570-HK	BOLT, M8 x 45	10
20	PRT6570-HK	BOLT, M8 x 40	2
21	PRT6570-HK	NUT, M8	13
22	PRT6570-HK	WASHER, 8mm	14
23	PRT6570-HK	WASHER, 16mm	2
24	PRT6570-HK	COTTER PIN	2
25	PRT6570-25	SPRAY GUN HOLDER	1
26	PRT6570-HK	RING WASHER	2
27	PRT6570-27	FRONT BAR PIN	1
28	PRT6570-28	FRONT STABILIZER	1
29	PRT6570-29	PLASTIC KNOB	1



WARRANTY

1 YEAR LIMITED WARRANTY

THIS WARRANTY AND CONFIRMED RECEIPT(S) SHOULD BE RETAINED BY THE CUSTOMER AT ALL TIMES

PURCHASED FROM: _____

DATE PURCHASED: _____

INVOICE/RECEIPT NUMBER: _____

Your ATD-6570 is warranted for a period of 12 months from the original purchase date.

For a period of one (1) year from your purchase date, ATD Tools Inc. will repair or replace (at its option) without charge, your ATD product if it was purchased new and the product has failed due to a defect in material or workmanship which you experienced during normal use of the product. This limited warranty is your exclusive remedy.

To access the benefits of this warranty, contact your supplier, or point of sale directly. You may be advised to return the product under warranty, freight prepaid, to your supplier for warranty determination.

If this ATD product is altered, abused, misused, modified, or undergoes service by an unauthorized technician, your warranty will be void. We are not responsible for damage to ornamental designs you place on this ATD product and such ornamentation should not cover any warnings or instructions or they may void the warranty. This warranty does not cover scratches, superficial dents, and other abrasions to the paint finish that occur under normal use. It also does not cover normal wear items such as but not limited to brushes, batteries, drill bits, drill chucks, pads or blades.

Subject to the law in your state:

- (1) Your sole and exclusive remedy is repair or replacement of the defective product as described above.
- (2) ATD is not liable for any incidental damages, including but not limited to, lost profits and unforeseeable consequences.
- (3) The repair and replacement of this product under the express limited warranty described above is your exclusive remedy and is provided in lieu of all other warranties, express or implied. All other warranties, including implied warranties and warranties of merchantability or fitness for a particular purpose are disclaimed and, if disclaimer is prohibited, these warranties are limited to one year from your date of purchase of this product.

Some states' laws do not allow limited durations on certain implied warranties and some states' laws do not allow limitations on incidental or consequential damages. You should consult the law in your state to determine how your rights may vary.

[Affix receipt or invoice here for safe keeping]