



**ATD-6567
36" Masker
Owner's Manual**



FEATURES:

- Handy, portable and lightweight 1" tubular steel design
- Holds one roll of masking paper up to 36" wide and two rolls of tape.
- Wall mounting kit included

SAFETY INSTRUCTIONS

- Ensure the dispenser is on a reasonably flat, level floor or securely wall mounted before loading.
- Be aware that the paper cutting blade is sharp - handle with care.
- **DO NOT** sit or stand on the dispenser.
- **DO NOT** use the dispenser for any purpose other than that for which it was designed.

CONTENTS & ASSEMBLY

Contents

Check the contents against the list below and if any items are missing or damaged contact your supplier immediately.

- | | | | | |
|----------------------------|----------------------|--------------------------|---------------------------|--------------------------|
| • Paper Cutter | • Paper Spring | • Base x 2 | • Hub x 2 | • Frame Side x 2 |
| • Top Handle | • Cross Tube | • Paper Bar | • Tape Reel x 2 | • Knob |
| • Bag of fittings | | | | |
| Fittings: | | | | |
| • Foot x 4 | • Spring x 2 | • Slide Ring x 2 | • Paper Washer, x 2 | • Washer, 1/4" x 16 |
| • Nut, 1/4" x 4 | • Wing Nut, 1/4" x 4 | • Screw, 3/16 x 1/2" x 4 | • Screw, 1/4 x 1-1/2" x 4 | • Bolt, 1/4 X 3-1/2" X 2 |
| • Screw, 5/16 x 1-1/2" x 4 | • Washer, 5/16" x 4 | • Hub x 2 | | |

Assembly

Note: Numbers in brackets refer to item numbers in the Parts List.

1. If dispenser is to be free standing, fit the four plastic feet to the side frame tubes (1).
2. If the dispenser is to be bench or wall mounted, fit the two bases (9) to the rear legs of the side frames (1), using 5/16" x 1-1/2" screws (15), 1/4" washers (14) and 1/4" nuts (13). Attach two of the plastic feet to the front legs of the side frames (1).
3. Attach the top handle (2) to the top of the side frames (1) using 5/16 x 1-1/2" screws (12) and 5/16" washers (11).
4. Attach the two side frames (1) to the cross tube (4) using 5/16 x 1-1/2" screws (12) and 5/16" washers (11).
Do not fully tighten screws at this stage.
5. Attach paper spring (10) loops to either end of the paper cutter (3), as shown in fig.1.
6. Fit paper cutter (3) to upper holes in front legs of side frames (1) using 1/4" screws (15), 1/4" washers (14) and 1/4" nuts (13).
7. **Tighten all screws/nuts.**
8. Insert 1/4 x 3-1/2" bolts (18) through front legs of side frames (1) and tighten in place using 1/4" washers (14) and 1/4" nuts (13).
9. Thread a wing nut (17) onto each bolt (18) with the wings towards the frame leg.
10. Slide washer (14) and hub (20) onto each bolt (18) and then fit tape reels (19) onto hubs (20) with open sides towards side frame (1) legs.
11. Retain tape reels with washer (14) and wing nut (18).
12. Fit paper washers (6), paper bar spring (5) and paper retainers (7) to paper bar (8) as shown in fig.2. Insert 3/16 x 1/2" screws into paper retainers (5).
13. Locate paper bar (8) between bars of side frames (1) and retain with knob (16).



FIGURE 1

USE

1. Remove paper bar (8) from frame and remove washers (6), springs (5) and retainers (7).
2. Slide paper bar (8) through center of masking paper roll so that, when reinstalled in frame, paper will come from top of roll towards front of dispenser.
3. Replace washers (6), springs (5) and retainers (7), as shown in fig.2, at each end of roll.
If two narrow rolls are used fit one spring and paper washer per roll and use the two extra paper retainers.
4. Refit paper bar, complete with paper roll, to frame assembly. Position roll in center of bar and fix in place by tightening screws in paper retainers (5).
5. Thread leading edge of paper between paper spring (10) and guide edge of paper cutter (3), see fig.1.
6. Press masking tape rolls onto tape reels (20) so that tape leaves bottom of rolls towards the rear of the dispenser. Rolls may be positioned relative to the masking paper edges by adjusting wing nuts (17).

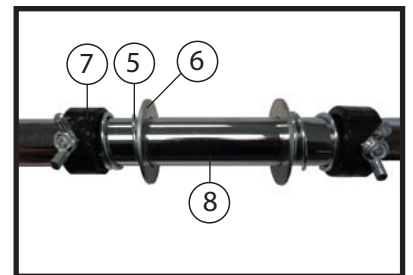


FIGURE 2

IMPORTANT: PLEASE READ THESE INSTRUCTIONS CAREFULLY. NOTE THE SAFE OPERATIONAL REQUIREMENTS, WARNINGS AND CAUTIONS. USE THIS PRODUCT CORRECTLY AND WITH CARE FOR THE PURPOSE FOR WHICH IT IS INTENDED. FAILURE TO DO SO MAY CAUSE DAMAGE AND/OR PERSONAL INJURY AND WILL INVALIDATE THE WARRANTY. PLEASE KEEP INSTRUCTIONS SAFE FOR FUTURE USE.

REPLACEMENT PARTS

Not all components of the masker are replacement items, but are illustrated as a convenient reference for position in the assembly sequence. When ordering parts, give model number, part number and description. Call your distributor for current pricing:

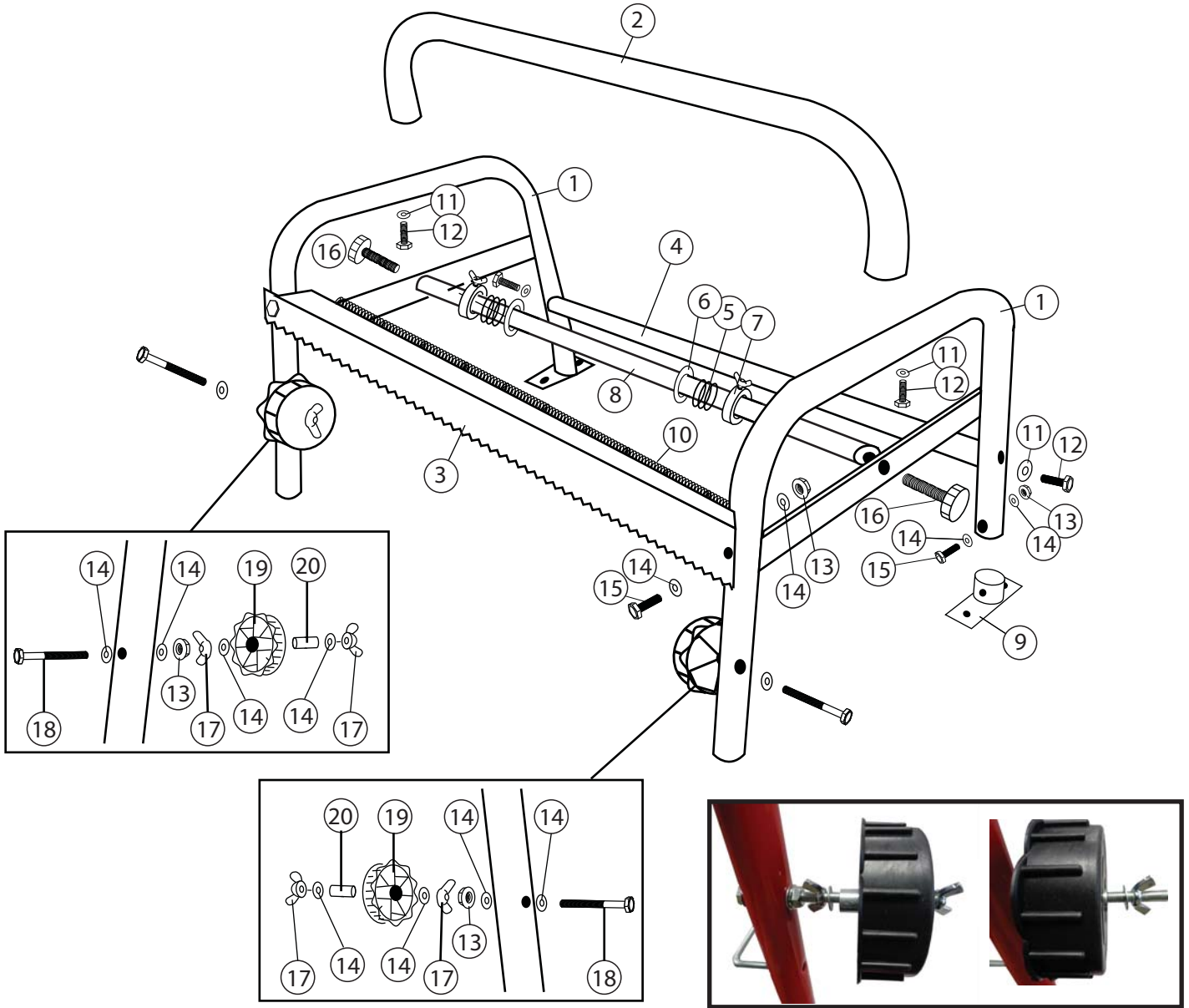


FIGURE 3

ITEM#	ORDERING PART#	PART DESCRIPTION	QTY
1	PRT6567-01	FRAME TUBE	2
2	PRT6567-02	TOP HANDLE	2
3	PRT6567-03	CUTTING BLADE	1
4	PRT6567-04	CROSS TUBE	1
5	PRT6567-SK	PAPER HOLDING SPRING	4
6	PRT6567-SK	PAPER HOLDING WASHER	4
7	PRT6567-SK	ADJUSTING COLLAR	4
8	PRT6567-05	PAPER BAR	1
9	PRT6567-09	MOUNTING BRACKET	2
10	PRT6567-SK	CUTTING BLADE SPRING	1

ITEM#	ORDERING PART#	PART DESCRIPTION	QTY
11	PRT6567-HK	WASHER, 8MM	4
12	PRT6567-HK	BOLT, 8MM	4
13	PRT6567-HK	NUT, 6MM	6
14	PRT6567-HK	WASHER, 6MM	16
15	PRT6567-HK	BOLT, 6MM	8
16	PRT6561-13	PLASTIC HAND KNOB	2
17	PRT6567-HK	WING NUT, 6MM	4
18	PRT6567-HK	LONG BOLT, 6MM	2
19	PRT6561-08	TAPE REEL	2
20	PRT6561-18	HUB	2

PRT6567-HK - HARDWARE KIT - INCLUDES ITEM#s 11, 12, 13, 14, 15, 17 & 18

PRT6561-SK - SPRING KIT - INCLUDES ITEM#s 5, 6, 7 & 10



ATD[®]

WARRANTY

1 YEAR LIMITED WARRANTY

THIS WARRANTY AND CONFIRMED RECEIPT(S) SHOULD BE RETAINED BY THE CUSTOMER AT ALL TIMES

PURCHASED FROM: _____

DATE PURCHASED: _____

INVOICE/RECEIPT NUMBER: _____

Your ATD-6567 is warranted for a period of 12 months from the original purchase date.

For a period of one (1) year from your purchase date, ATD Tools, Inc. will repair or replace (at its option) without charge, your ATD product if it was purchased new and the product has failed due to a defect in material or workmanship which you experienced during normal use of the product. This limited warranty is your exclusive remedy.

To access the benefits of this warranty, contact your supplier, or point of sale directly. You may be advised to return the product under warranty, freight prepaid, to your supplier for warranty determination.

If this ATD product is altered, abused, misused, modified, or undergoes service by an unauthorized technician, your warranty will be void. We are not responsible for damage to ornamental designs you place on this ATD product and such ornamentation should not cover any warnings or instructions or they may void the warranty. This warranty does not cover scratches, superficial dents, and other abrasions to the paint finish that occur under normal use. It also does not cover normal wear items such as but not limited to brushes, batteries, drill bits, drill chucks, pads or blades.

Subject to the law in your state:

- (1) Your sole and exclusive remedy is repair or replacement of the defective product as described above.
- (2) ATD is not liable for any incidental damages, including but not limited to, lost profits and unforeseeable consequences.
- (3) The repair and replacement of this product under the express limited warranty described above is your exclusive remedy and is provided in lieu of all other warranties, express or implied. All other warranties, including implied warranties and warranties of merchantability or fitness for a particular purpose are disclaimed and, if disclaimer is prohibited, these warranties are limited to one year from your date of purchase of this product.

Some states' laws do not allow limited durations on certain implied warranties and some states' laws do not allow limitations on incidental or consequential damages. You should consult the law in your state to determine how your rights may vary.

[Affix receipt or invoice here for safe keeping]