



**ATD-6565
18" Portable Masker
Owner's Manual**

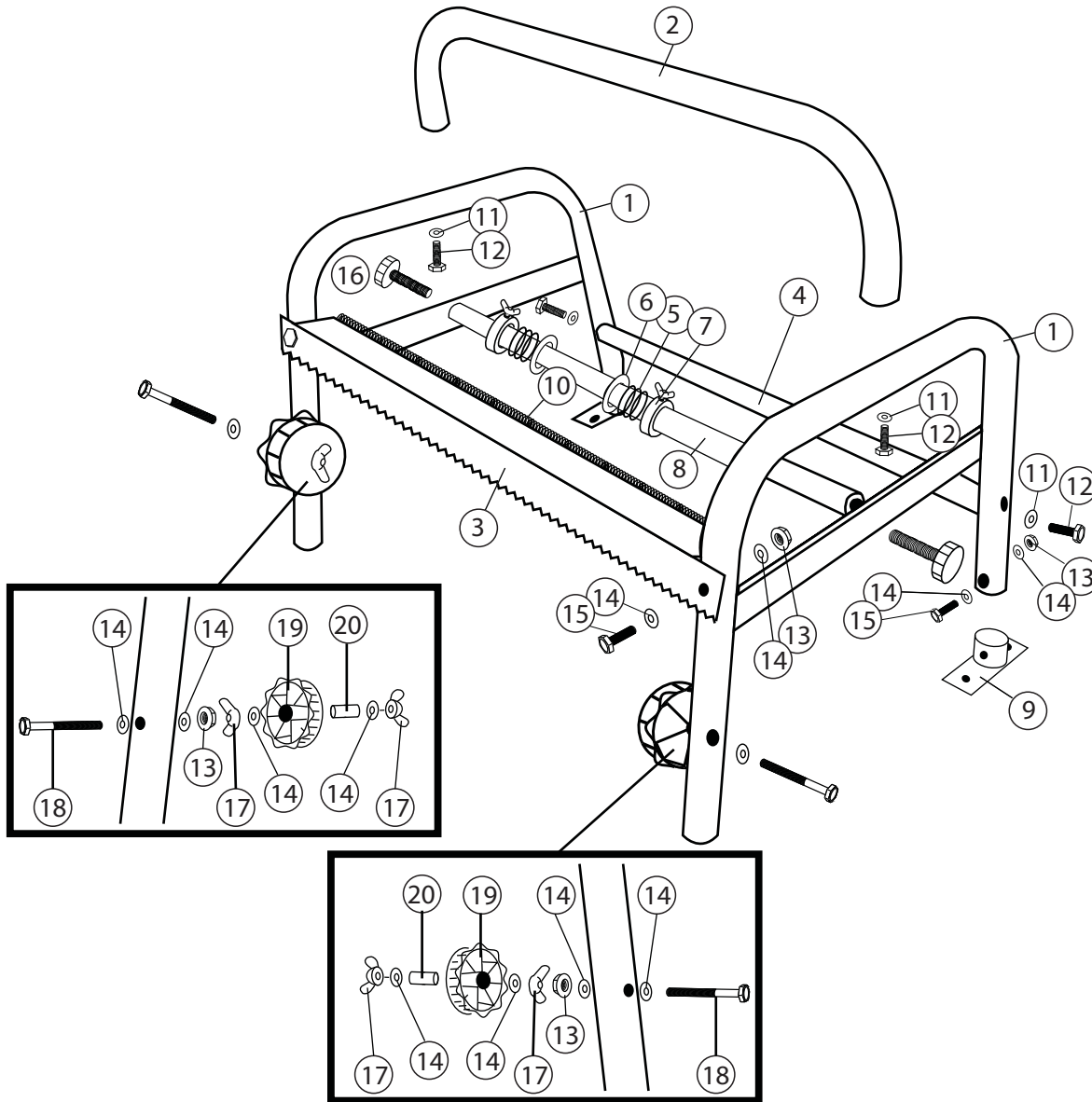


Features:

- Handy, portable, lightweight 1" tubular steel design
- Holds multiple rolls of masking paper up to 18" wide
- Wall mounting kit included

REPLACEMENT PARTS

Not all components of the masker are replacement items, but are illustrated as a convenient reference for position in the assembly sequence. When ordering parts, give model number, part number and description. Call your distributor for current pricing:



ITEM#	ORDERING PART#	PART DESCRIPTION	QTY
1	PRT6565-01	FRAME TUBE	2
2	PRT6565-02	TOP HANDLE	2
3	PRT6561-07	CUTTING BLADE	1
4	PRT6565-04	CROSS TUBE	1
5	PRT6565-SK	PAPER HOLDING SPRING	4
6	PRT6565-SK	PAPER HOLDING WASHER	4
7	PRT6565-SK	ADJUSTING COLLAR	4
8	PRT6561-05	PAPER BAR	1
9	PRT6565-09	MOUNTING BRACKET	2
10	PRT6565-SK	CUTTING BLADE SPRING	1

ITEM#	ORDERING PART#	PART DESCRIPTION	QTY
11	PRT6565-HK	WASHER, 8MM	4
12	PRT6565-HK	BOLT, 8MM	4
13	PRT6565-HK	NUT, 6MM	6
14	PRT6565-HK	WASHER, 6MM	16
15	PRT6565-HK	BOLT, 6MM	8
16	PRT6561-13	PLASTIC HAND KNOB	2
17	PRT6565-HK	WING NUT, 6MM	4
18	PRT6565-HK	LONG BOLT, 6MM	2
19	PRT6561-08	TAPE REEL	2
20	PRT6561-18	HUB	2

PRT6565-HK - HARDWARE KIT - INCLUDES ITEM#s 11, 12, 13, 14, 15, 17 & 18
 PRT6561-SK - SPRING KIT - INCLUDES ITEM#s 5, 6, 7 & 10

ASSEMBLY INSTRUCTIONS

TOOLS NEEDED:

- Ratchet
- 10mm Socket
- 14mm Socket
- 10mm Wrench
- Locking Pliers

- 1) Fasten cross tube (4) between the two frame tubes (1) with bolts (12) and washers (11) **Leave finger tight** until the rest of the masker is assembled.
- 2) Assemble the long spring (10) to the cutting blade (3) by hooking it over each tab on the backside of the cutting blade (See figure 1).
- 3) Attach assembled cutting blade from step 2 to the front of the frame with bolts (15), washers (14) and nuts (13). **Leave finger tight** until the rest of the machine is assembled.
- 5) Assemble paper bar by first sliding the paper holding washers (6), then the paper holding springs (5) and finally the adjusting collars (7) onto paper bars (5), two of each per roll of paper (See figure 2).
- 6) Attach paper bar assembly onto frame with plastic hand knobs (13) **Leave finger tight** until the rest of the machine is assembled.
- 7) Attach top handle (2) to top of masker with bolts (12) and washers (11) **Leave finger tight** until the rest of the machine is assembled.
- 8) Attach the tape reels (19) to the frame with long bolts (18) wing nuts (17), washers (14), bushings (20) and nuts (14) (See figure 3). Tighten the long bolts (18) to frame with the nuts (14) at this time.
- 9) Square up the masker and tighten all nuts and bolts for the cross tube, paper bar, cutting blade and top handle. Your ATD-6565 18" portable masker is now ready to use.

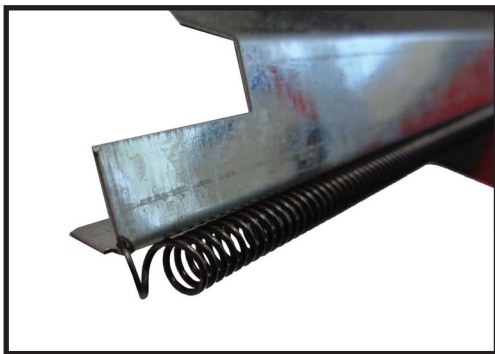


FIGURE 1



FIGURE 2

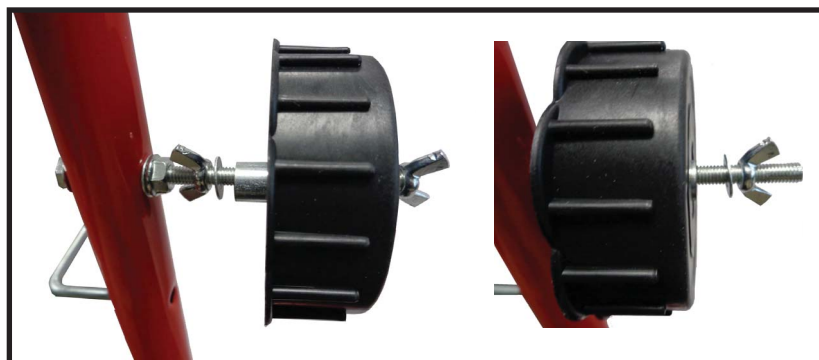


FIGURE 3



ATD[®]

WARRANTY

1 YEAR LIMITED WARRANTY

THIS WARRANTY AND CONFIRMED RECEIPT(S) SHOULD BE RETAINED BY THE CUSTOMER AT ALL TIMES

PURCHASED FROM: _____

DATE PURCHASED: _____

INVOICE/RECEIPT NUMBER: _____

Your ATD-6565 is warranted for a period of 12 months from the original purchase date.

For a period of one (1) year from your purchase date, ATD Tools, Inc. will repair or replace (at its option) without charge, your ATD product if it was purchased new and the product has failed due to a defect in material or workmanship which you experienced during normal use of the product. This limited warranty is your exclusive remedy.

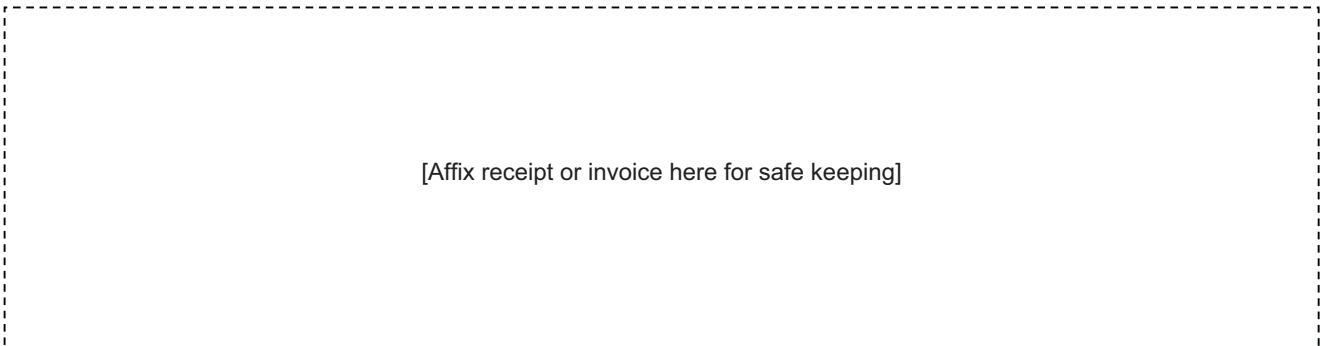
To access the benefits of this warranty, contact your supplier, or point of sale directly. You may be advised to return the product under warranty, freight prepaid, to your supplier for warranty determination.

If this ATD product is altered, abused, misused, modified, or undergoes service by an unauthorized technician, your warranty will be void. We are not responsible for damage to ornamental designs you place on this ATD product and such ornamentation should not cover any warnings or instructions or they may void the warranty. This warranty does not cover scratches, superficial dents, and other abrasions to the paint finish that occur under normal use. It also does not cover normal wear items such as but not limited to brushes, batteries, drill bits, drill chucks, pads or blades.

Subject to the law in your state:

- (1) Your sole and exclusive remedy is repair or replacement of the defective product as described above.
- (2) ATD is not liable for any incidental damages, including but not limited to, lost profits and unforeseeable consequences.
- (3) The repair and replacement of this product under the express limited warranty described above is your exclusive remedy and is provided in lieu of all other warranties, express or implied. All other warranties, including implied warranties and warranties of merchantability or fitness for a particular purpose are disclaimed and, if disclaimer is prohibited, these warranties are limited to one year from your date of purchase of this product.

Some states' laws do not allow limited durations on certain implied warranties and some states' laws do not allow limitations on incidental or consequential damages. You should consult the law in your state to determine how your rights may vary.



[Affix receipt or invoice here for safe keeping]