



## ATD-6563 Tree Style Masking Machine Owner's Manual

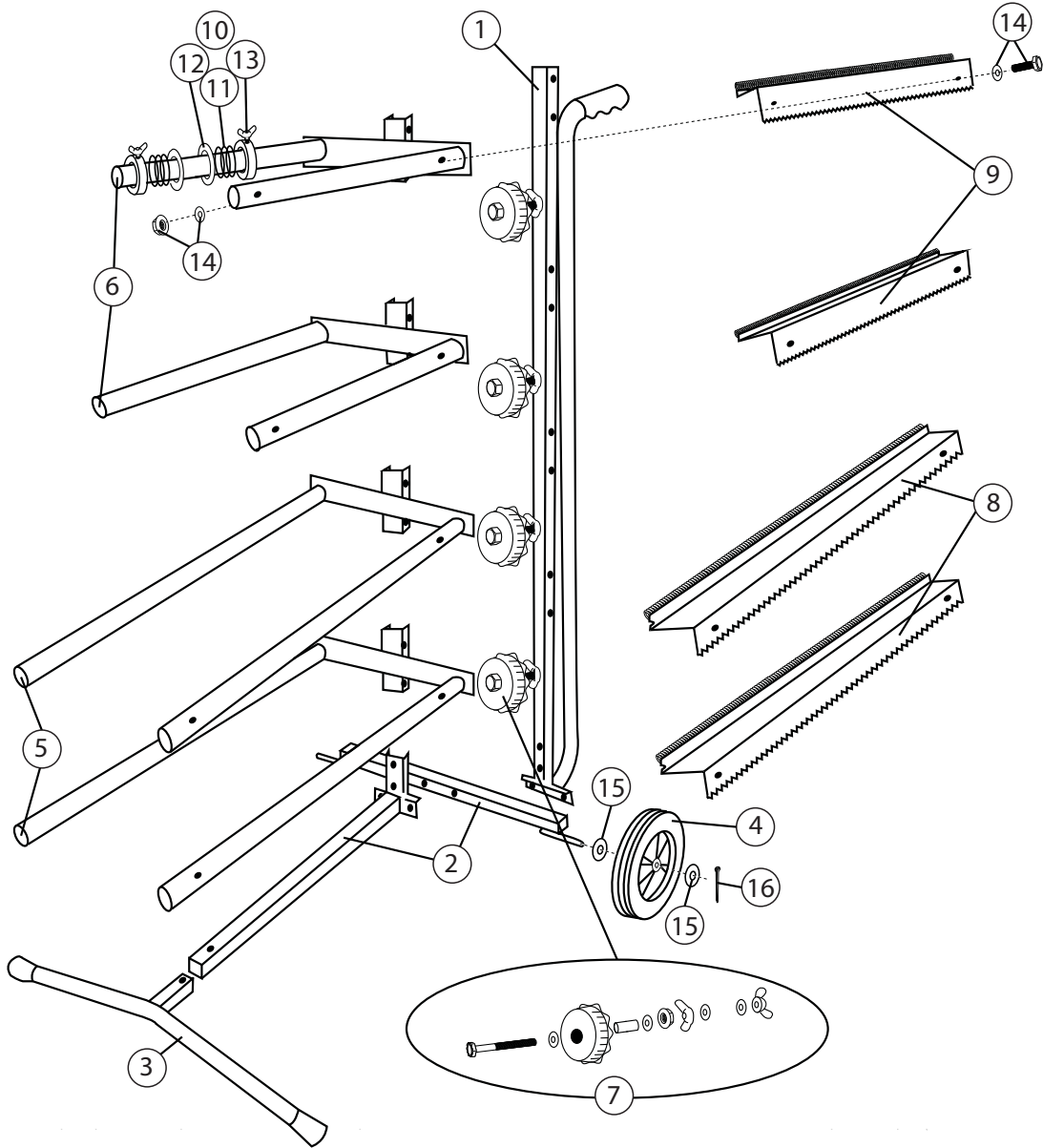


### Features:

- Heavy-duty steel construction
- Holds (4) rolls of tape
- Holds (4) rolls of masking paper: (2) 12" rolls and (2) 18" rolls
- Never needs adjusting, always keeps tape and paper aligned
- 6" tires for easy maneuvering
- Shipping Weight: 28 lbs.

## REPLACEMENT PARTS

Not all components of this masking machine are replacement items, but are illustrated as a convenient reference for position in the assembly sequence. When ordering parts, give model number, part number and description. Call your distributor for current pricing:



ITEM#	ORDERING PART#	PART DESCRIPTION	QTY
1	PRT6563-01	MAIN FRAME, VERTICAL	1
2	PRT6563-02	MAIN FRAME, HORIZONTAL (2 PCS)	1
3	PRT6563-03	LEG SUPPORT	1
4	PRT6563-04	WHEELS	2
5	PRT6563-05	22" SUPPORT ASSEMBLY	2
6	PRT6563-06	16" SUPPORT ASSEMBLY	2
7	PRT6561-08	TAPE REELS	4
8	PRT6563-08	22" CUTTING BLADE AND SPRINGS	2
9	PRT6563-09	16" CUTTING BLADES AND SPRINGS	2
10	PRT6563-HK	PAPER ROLLER ASSEMBLY	4
11	PRT6563-HK	SPRINGS	8
12	PRT6563-HK	PAPER ROLLER WASHERS	8
13	PRT6563-HK	PLASTIC COLLARS	8
14	PRT6563-HK	6 x 30mm SCREW ASSEMBLIES	21
15	PRT6563-HK	AXLE WASHERS	2
16	PRT6563-HK	COTTER PINS	2

PRT6563-HK HARDWARE KIT (Includes 10, 11, 12, 13, 14, 15 & 16)

# ASSEMBLY INSTRUCTIONS

## TOOLS NEEDED:

- Ratchet
- 10mm Socket
- 13mm Socket
- 10mm Wrench
- Locking Pliers

- 1) Assemble main frame, horizontal (2) to main frame, vertical (1) as shown in the parts diagram.
- 2) Attach leg support (3) to the completed main frame assembly. Tighten all bolts for the frame assembly at this time.
- 3) Slide the the wheels (4) onto axles with a washer (15) behind and a washer (15) in front and fasten with cotter pin (16).
- 4) Assemble the 22" support assemblies (5) and the 16" support assemblies (6) to the frame assembly.
- 5) Assemble the long springs to the cutting blades (5, 6) by hooking them over each tab on the backside of the cutting blade (See figure 1)
- 6) Assemble paper bars by first sliding an adjusting collar (13) then a paper holding spring (11), then a paper holding washer (12), onto the paper bars (5, 6), then one more set in reverse order, (12, 11 then 13) There are two sets of each per roll of paper (See figure 2)
- 7) Attach the tape reels (7) to the frame with long bolts, wing nuts, washers, bushings and nuts (19) (See figure 3).
- 8) Square up the machine and ensure that all nuts and bolts are tight. Your ATD-6563 Tree Style Masking Machine is now ready to use.



FIGURE 1



FIGURE 2

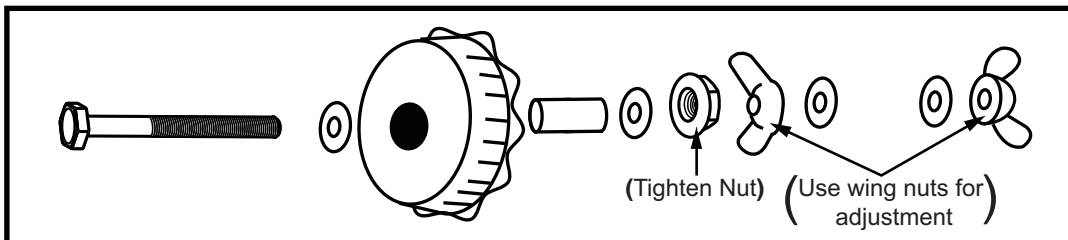


FIGURE 3



# ATD<sup>®</sup>

## WARRANTY

### 1 YEAR LIMITED WARRANTY

**THIS WARRANTY AND CONFIRMED RECEIPT(S) SHOULD BE RETAINED BY THE CUSTOMER AT ALL TIMES**

PURCHASED FROM: \_\_\_\_\_

DATE PURCHASED: \_\_\_\_\_

INVOICE/RECEIPT NUMBER: \_\_\_\_\_

Your ATD-6563 is warranted for a period of 12 months from the original purchase date.

For a period of one (1) year from your purchase date, ATD Tools, Inc. will repair or replace (at its option) without charge, your ATD product if it was purchased new and the product has failed due to a defect in material or workmanship which you experienced during normal use of the product. This limited warranty is your exclusive remedy.

To access the benefits of this warranty, contact your supplier, or point of sale directly. You may be advised to return the product under warranty, freight prepaid, to your supplier for warranty determination.

If this ATD product is altered, abused, misused, modified, or undergoes service by an unauthorized technician, your warranty will be void. We are not responsible for damage to ornamental designs you place on this ATD product and such ornamentation should not cover any warnings or instructions or they may void the warranty. This warranty does not cover scratches, superficial dents, and other abrasions to the paint finish that occur under normal use. It also does not cover normal wear items such as but not limited to brushes, batteries, drill bits, drill chucks, pads or blades.

Subject to the law in your state:

- (1) Your sole and exclusive remedy is repair or replacement of the defective product as described above.
- (2) ATD is not liable for any incidental damages, including but not limited to, lost profits and unforeseeable consequences.
- (3) The repair and replacement of this product under the express limited warranty described above is your exclusive remedy and is provided in lieu of all other warranties, express or implied. All other warranties, including implied warranties and warranties of merchantability or fitness for a particular purpose are disclaimed and, if disclaimer is prohibited, these warranties are limited to one year from your date of purchase of this product.

Some states' laws do not allow limited durations on certain implied warranties and some states' laws do not allow limitations on incidental or consequential damages. You should consult the law in your state to determine how your rights may vary.

[Affix receipt or invoice here for safe keeping]