



## ATD-6561 18" Masking Machine Owner's Manual

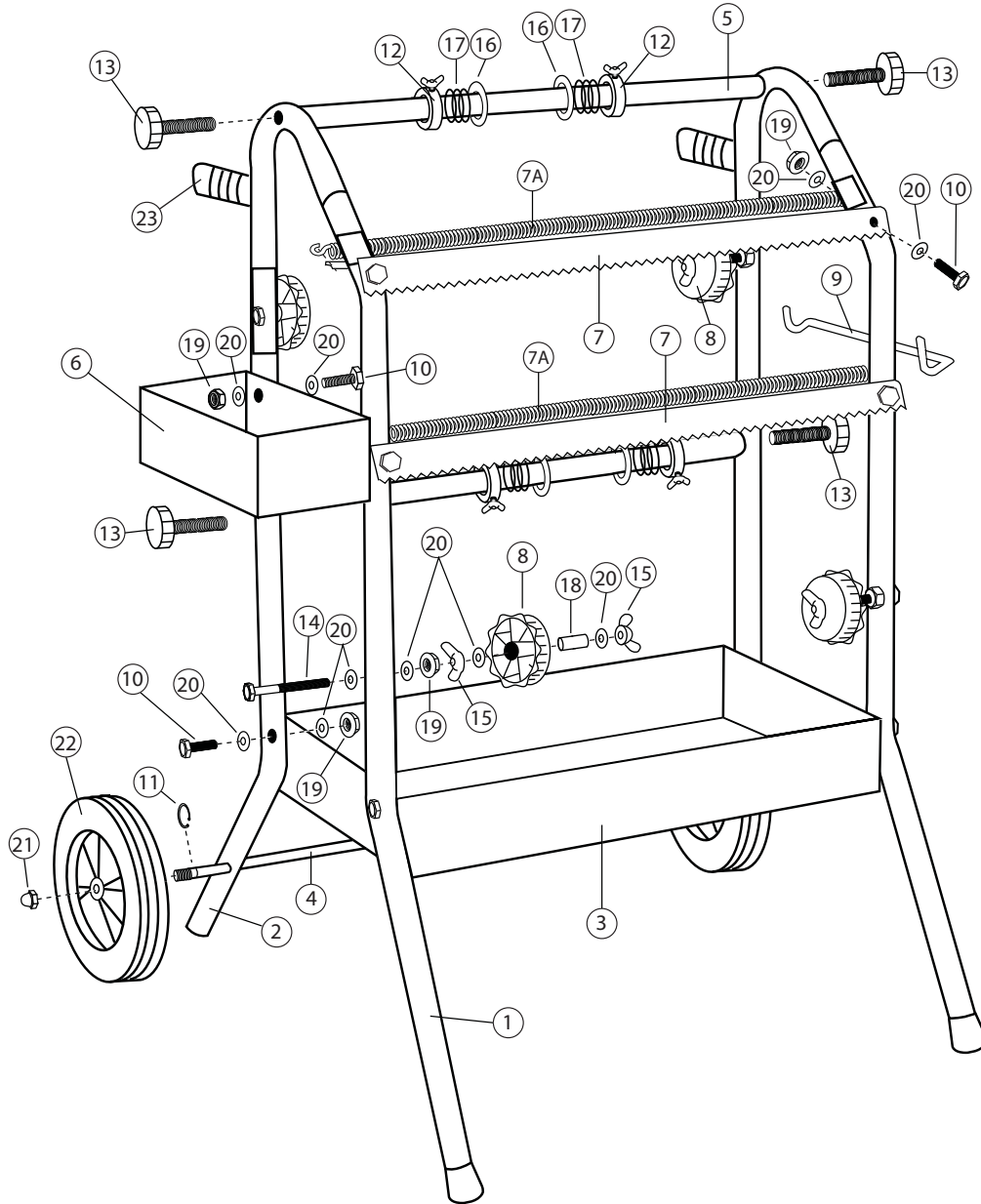


### Features:

- Heavy-duty steel construction
- Holds up to (4) paper rolls and (4) tape rolls
- Large bottom storage tray
- Side tray for holding supplies
- (2) 8" wheels for easy maneuvering
- Shipping Weight: 29 lbs.

## REPLACEMENT PARTS

Not all components of this masking machine are replacement items, but are illustrated as a convenient reference for position in the assembly sequence. When ordering parts, give model number, part number and description. Call your distributor for current pricing:



ITEM#	ORDERING PART#	PART DESCRIPTION	QTY
1	PRT6561-01	FRONT FRAME	2
2	PRT6561-02	REAR FRAME	2
3	PRT6561-03	LARGE TOOL TRAY	1
4	PRT6561-04	AXLE	1
5	PRT6561-05	PAPER BAR	2
6	PRT6561-06	SMALL TOOL TRAY	1
7	PRT6561-07	CUTTING BLADE	2
7A	PRT6561-SK	CUTTING BLADE SPRING	2
8	PRT6561-08	TAPE REEL	4
9	PRT6561-09	HANGER BAR	1
10	PRT6561-HK	BOLT, 6MM	10
11	PRT6561-HK	SNAP RING	2

ITEM#	ORDERING PART#	PART DESCRIPTION	QTY
12	PRT6561-SK	ADJUSTING COLLAR	8
13	PRT6561-13	PLASTIC HAND KNOB	4
14	PRT6561-HK	LONG BOLT	4
15	PRT6561-HK	WING NUT	8
16	PRT6561-SK	PAPER HOLDING WASHER	8
17	PRT6561-SK	PAPER HOLDING SPRING	8
18	PRT6561-18	HUB	4
19	PRT6561-HK	NUT, 6MM	14
20	PRT6561-HK	WASHER, 6MM	36
21	PRT6561-HK	AXLE NUT	2
22	PRT6561-22	WHEEL	2
23	PRT6561-23	HANDGRIP	2

PRT6561-HK - HARDWARE KIT - INCLUDES ITEM#'s 10, 11, 14, 15, 19, 20, & 21

PRT6561-SK - SPRING KIT - INCLUDES ITEM#'s 7A, 12, 16 & 17

# ASSEMBLY INSTRUCTIONS

## TOOLS NEEDED:

- Ratchet
- 10mm Socket
- 13mm Socket
- 10mm Wrench
- Locking Pliers

- 1) Assemble front frame (1) and rear frame (2) by sliding the front tube into the rear tube and snapping the spring button inside the tube. Repeat for both sides.
- 2) Attach large tool tray (3) to the assembled frames using bolts (10), washers (20) and nuts (19). **Leave finger tight** until the rest of the machine is assembled.
- 3) Slide the axle (4) through the frame, install snap ring (11), then slide the wheels (22) onto axle and fasten with nut (21).
- 4) Assemble the long spring (7A) to the cutting blade (7) by hooking it over each tab on the backside of the cutting blade (See figure 1)
- 5) Assemble paper bars by first sliding the paper holding washers (16), then the paper holding springs (17) and finally the adjusting collars (12) onto paper bars (5), two of each per roll of paper (See figure 2)
- 6) Attach paper bar assembly onto frame with plastic hand knobs (13)
- 7) Attach assembled cutting blades from step 4 to the front of the frame with bolts (10), washers (20) and nuts (19). **Leave finger tight** until the rest of the machine is assembled
- 8) Attach the tape reels (8) to the frame with long bolts (14) wing nuts (15), washers (20), bushings (18) and nuts (19) (See figure 3). Tighten the long bolts (14) to frame with the nuts (19) at this time.
- 9) Insert the hanger bar into the two holes provided on either side of the frame.  
**TIP:** Consider which side you will want to hang your paint guns on, and which side you will want your small tool tray on.
- 10) Attach the small tool tray (6) onto the holes on the opposite side of the frame with bolts (10), washers (20) and nuts (19).
- 11) Square up the machine and tighten all nuts and bolts for the large tool tray and the cutting blade assemblies.  
Your ATD-6561 18" masking machine is now ready to use.

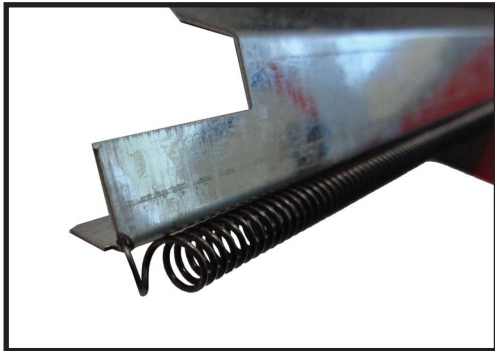


FIGURE 1



FIGURE 2



FIGURE 3



# ATD<sup>®</sup>

## WARRANTY

### 1 YEAR LIMITED WARRANTY

**THIS WARRANTY AND CONFIRMED RECEIPT(S) SHOULD BE RETAINED BY THE CUSTOMER AT ALL TIMES**

PURCHASED FROM: \_\_\_\_\_

DATE PURCHASED: \_\_\_\_\_

INVOICE/RECEIPT NUMBER: \_\_\_\_\_

Your ATD-6561 is warranted for a period of 12 months from the original purchase date.

For a period of one (1) year from your purchase date, ATD Tools, Inc. will repair or replace (at its option) without charge, your ATD product if it was purchased new and the product has failed due to a defect in material or workmanship which you experienced during normal use of the product. This limited warranty is your exclusive remedy.

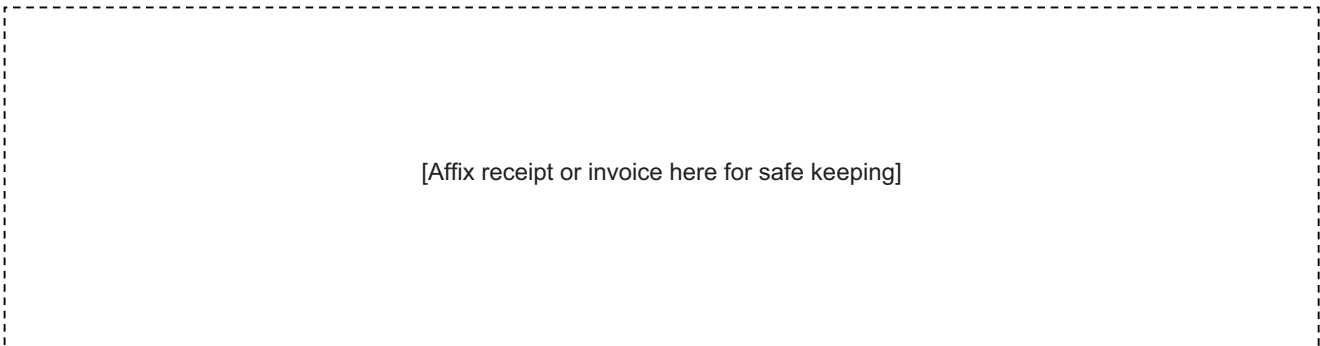
To access the benefits of this warranty, contact your supplier, or point of sale directly. You may be advised to return the product under warranty, freight prepaid, to your supplier for warranty determination.

If this ATD product is altered, abused, misused, modified, or undergoes service by an unauthorized technician, your warranty will be void. We are not responsible for damage to ornamental designs you place on this ATD product and such ornamentation should not cover any warnings or instructions or they may void the warranty. This warranty does not cover scratches, superficial dents, and other abrasions to the paint finish that occur under normal use. It also does not cover normal wear items such as but not limited to brushes, batteries, drill bits, drill chucks, pads or blades.

Subject to the law in your state:

- (1) Your sole and exclusive remedy is repair or replacement of the defective product as described above.
- (2) ATD is not liable for any incidental damages, including but not limited to, lost profits and unforeseeable consequences.
- (3) The repair and replacement of this product under the express limited warranty described above is your exclusive remedy and is provided in lieu of all other warranties, express or implied. All other warranties, including implied warranties and warranties of merchantability or fitness for a particular purpose are disclaimed and, if disclaimer is prohibited, these warranties are limited to one year from your date of purchase of this product.

Some states' laws do not allow limited durations on certain implied warranties and some states' laws do not allow limitations on incidental or consequential damages. You should consult the law in your state to determine how your rights may vary.



[Affix receipt or invoice here for safe keeping]