



## ATD-6557 Vehicle Door Jack Lift Owner's Manual



### Features & Specifications:

- Powder coated steel construction provides strength, durability and corrosion resistance
- Support size: 30" (L) x 24" (W)
- Support pads height adjusts from 7" to 30"
- Support pads width adjusts from 8" to 20"
- 4" Polyurethane casters (2 non-locking, 2 locking) for easy maneuverability
- Load Capacity: 300 lbs.
- Weight: 44 lbs.



The safety alert symbol is used to alert you to potential personal injury hazards. Obey all safety messages that follow this symbol to avoid possible injury or property damage.

Read this manual and follow all **Safety Rules and Operating Instructions** before using this product.

## SAFETY AND GENERAL INFORMATION

**Save these instructions.** For your safety, read and understand the information contained within. The owner and operator should have an understanding of this product and safe operating procedures before attempting to use this product. Instructions and safety information should be conveyed in the operator's native language before use of this product is authorized. Make certain that the operator thoroughly understands the inherent dangers associated with the use and misuse of the product. If any doubt exists as to the safe and proper use of this product as outlined in this factory authorized manual, remove from service until which time it is clear.

**Inspect before each use.** Do not use if broken, bent, cracked or otherwise damaged parts are noted. If the lift has been or suspected to have been subjected to a shock load, discontinue use until checked out by a qualified service center. Owners and operators of this lift should be aware that the use and subsequent repair of this equipment may require special training and knowledge. It is recommended that an annual inspection be done by qualified personnel and that any missing or damaged parts, decals, warning / safety labels or signs be replaced with factory authorized replacement parts only. Any lift that appears to be damaged in any way, is worn or operated abnormally should be removed from service immediately until such time as repairs can be made.

## PRODUCT DESCRIPTION

ATD Tools Vehicle Door Lift is designed to facilitate the removal and installation of car doors on cars and light trucks and has a rated capacity of 300 lbs. This unit is **NOT** designed for any other use.



**WARNING: NEVER** load this device with more than the weight of the door to be removed!



**WARNING: NEVER** use the vehicle door lift as a vehicle lifting device. Before moving the removed door, ensure that it is free from the vehicle and that it is secured to the lift using the provided securing means.

## BEFORE USE

1. Inspect before each use. Do not use if bent, broken, leaking or cracked components are noted. Ensure that casters, and lifting arms move freely. Check and tighten any loose assemblies.
2. Verify that the product and the application are compatible.
3. Read, understand and follow vehicle manufacturer's recommended door changing procedures.

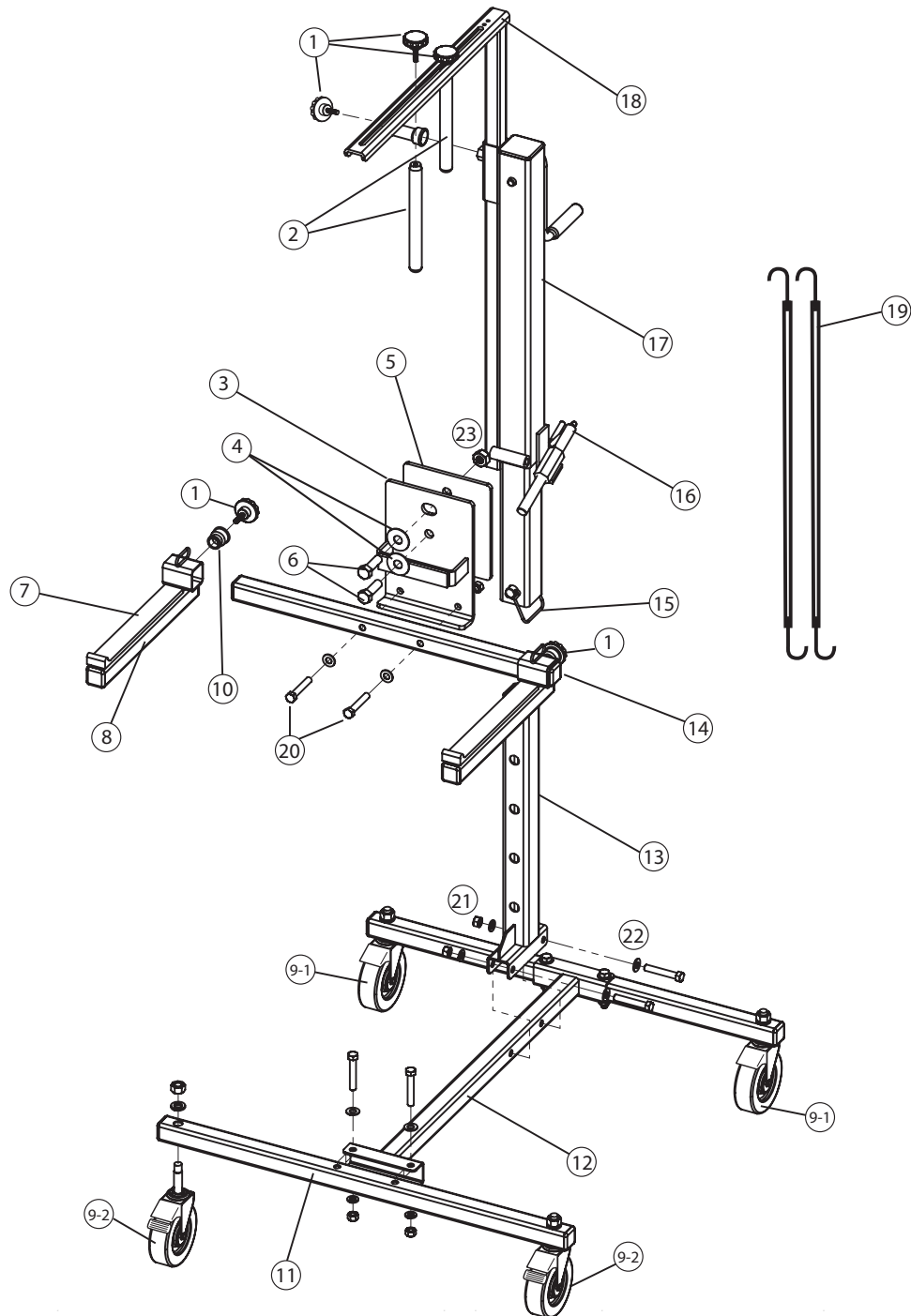


## WARNING

- Read and understand all warnings and instructional material provided on and with this product before use.
- Do not exceed rated capacity.
- Use only on smooth, hard, level surfaces capable of sustaining the load.
- Before moving, lower the load to the lowest possible point and assure that the load is centered and secured with a load restraint device.
- Apply load as close to the vertical position of the lifting arms as possible.
- No alterations should be made to this product.
- Failure to heed this warning may result in personal injury as well as property damage.

## REPLACEMENT PARTS

Not all components of this product are replacement items, but are illustrated as a convenient reference for position in the assembly sequence. When ordering parts, give model number, part number and description. Call your distributor for current pricing:



ITEM#	ORDERING PART#	PART DESCRIPTION
1	PRT6557-01	PLASTIC KNOB
2	PRT6557-02	VERTICAL SUPPORT
3	PRT6557-03	FRONT SUPPORT PLATE
4	PRT6557-HK	FLAT WASHER 1/2"
5	PRT6557-05	REAR SUPPORT PLATE
6	PRT6557-HK	HEX SCREW 1/2-13 X 1-5/8
7	PRT6557-07	SUPPORT ARM PAD
8	PRT6557-08	SUPPORT ARM
9-1	PRT6557-09-1	CASTER WHEEL
9-2	PRT6557-09-2	CASTER WHEEL WITH LOCK
10	PRT6557-10	RUBBER COVER
11	PRT6557-11	LOWER SUPPORT TUBE

ITEM#	ORDERING PART#	PART DESCRIPTION
12	PRT6557-12	LOWER FRAME SUPPORT
13	PRT6557-13	FRAME POST
14	PRT6557-14	SUPPORT TUBE
15	PRT6557-15	RETAINING PIN
16	PRT6557-16-17	HAND SCREW
17	PRT6557-16-17	JACK ASSEMBLY
18	PRT6557-18	UPPER SUPPORT ARM
19	PRT6557-19	BUNGEE CORD
20	PRT6557-HK	HEX SCREW M10X50
21	PRT6557-HK	NON-SLIP NUTS
22	PRT6557-HK	WASHER Ø10
23	PRT6557-HK	NON-SLIP NUTS M12

# Assembly Instructions



1  
Insert wheels (9-1 & 9-2) into lower support tube (11). Tighten with wrench.



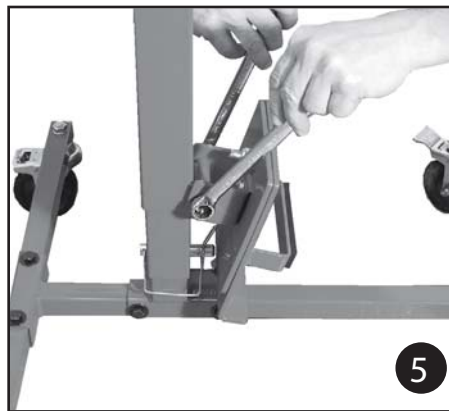
2  
Insert support tube (11) into lower frame support (12). Tighten with wrench.



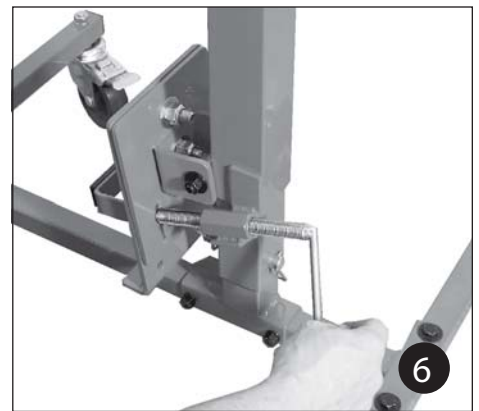
3  
Install frame post (13) onto lower frame support assembly. Tighten with wrench.



4  
Bolt front support plate (3) to rear support plate (5) using 1/2" x 5/8" bolts and 1/2" lock nut. Note: do not over tighten.



5  
Attach support plate assembly to jack assembly (17) using 5/16" x 3 1/4" bolt. Note: do not over tighten.



6  
Screw hand screw (18) into jack assembly.



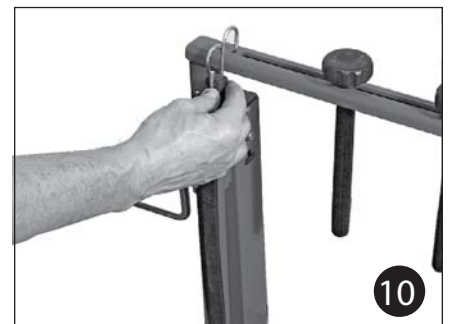
7  
Attach support arm (14) to support plate assembly using 5/16" x 2" bolts. Tighten with 9/16" box wrench.



8  
Insert upper support arm (18).

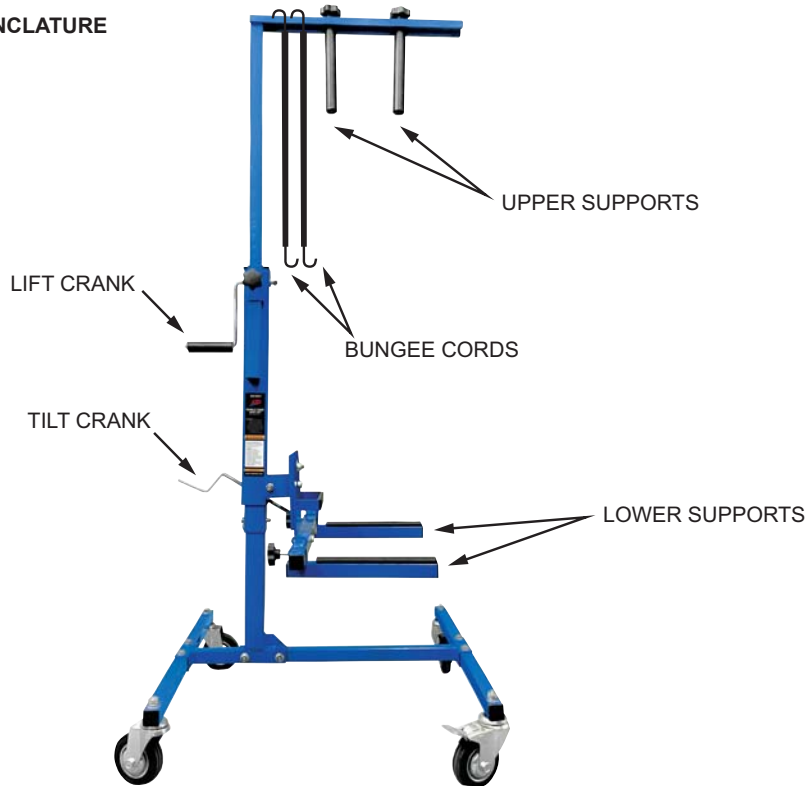


9  
Attach vertical supports (2) using plastic knobs (1).

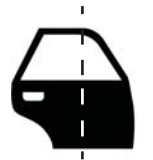


10  
Bungee hook storage.

## DOOR LIFT NOMENCLATURE



## ! WARNING



To avoid crushing and related injuries and or property damage:

- **Read, understand and follow** all printed materials provided with and on this door lift.
- Do not exceed rated capacity.
- Only use this door lift for its intended purpose.
- **Before** positioning door lift, **ensure** that the vehicle is securely positioned.
- Use only on smooth, hard and level surfaces capable of sustaining the load.
- **Be alert and sober** when using this product! **Never** operate this equipment when under the influence of drugs or alcohol.
- Before moving, lower the load to the lowest possible point and assure that the load is centered and secured with a load restraint device.
- No alterations shall be made to this product.
- Apply load as close to the vertical position of the lifting member as possible.

## OPERATION

### Vehicle Preparation

1. Place vehicle on a hard, level surface, such as reinforced concrete, large enough to accommodate vehicle and door lift.
2. Set the emergency brake to ensure the vehicle doesn't move while removing door.
3. Take every precaution necessary to ensure the set up is stable and will prevent all inadvertent vehicle movement.

### Raising The Lower supports

1. Manually raise the lower supports to the closest height to your door that you can and secure with pin (15).
2. Use the lift crank to fine tune the desired height, and the tilt crank to adjust the tilt to aid in removal and installation of door bolts.

**! WARNING:** Follow the vehicle manufacturers recommended door removal and installation procedures as needed. **DO NOT** remove more than is recommended by the vehicle manufacturer.

## OPERATION CONTINUED:

### Loading the Vehicle Door Lift

**⚠ WARNING:** *NEVER* load this device with more than the weight of the door to be removed! **ENSURE** that the vehicle is securely positioned and supported.

**⚠ WARNING:** *NEVER* use a Vehicle Door Lift as a **vehicle lifting** device. Before transporting door, ensure that it and all components are free from the vehicle body.

When the weight of vehicles door is supported by the vehicle door lift, carefully roll the Vehicle Door Lift away from the vehicle. Ensure that the door is secured with the provided bungee cords.

### Transporting Loaded Door Lift

1. Ensure that door is secured to the Vehicle Door Lift by means of the support arms and bungee cords.
2. When door has cleared the door frame, lower the support arms to the lowest position that will still allow door lift and caster movement.
3. Push or pull to desired location.

**⚠ WARNING:** *Follow the vehicle manufacturers recommended removal and installation procedures for door as needed!*

**⚠ WARNING:** *If ANY parts of the lift are worn, operate abnormally, immediately discontinue use of the door lift until repairs can be made.*

## MAINTENANCE

### Lubrication

A periodic coating of light grease to handle screw threads and pivot points will help to ensure that all moving parts function smoothly.

**Note:** Never apply oil or grease to the support arms.

### Storage

Store the Vehicle Door Lift with the support arms fully lowered.

### Cleaning

Periodically check the door lift for signs of rust or corrosion. Clean as needed and wipe with an oily cloth. Be sure to clean any oil, grease or contaminants from the surfaces that contact the vehicle doors.

**Note:** Never use sandpaper or abrasive material on these surfaces.



**THIS WARRANTY AND CONFIRMED RECEIPT(S) SHOULD BE RETAINED BY THE CUSTOMER AT ALL TIMES**

PURCHASED FROM: \_\_\_\_\_

DATE PURCHASED: \_\_\_\_\_

INVOICE/RECEIPT NUMBER: \_\_\_\_\_

Your ATD-6557 is warranted for a period of 12 months from the original purchase date.

For a period of one (1) year from your purchase date, ATD Tools, Inc. will repair or replace (at its option) without charge, your ATD product if it was purchased new and the product has failed due to a defect in material or workmanship which you experienced during normal use of the product. This limited warranty is your exclusive remedy.

To access the benefits of this warranty, contact your supplier, or point of sale directly. You may be advised to return the product under warranty, freight prepaid, to your supplier for warranty determination.

If this ATD product is altered, abused, misused, modified, or undergoes service by an unauthorized technician, your warranty will be void. We are not responsible for damage to ornamental designs you place on this ATD product and such ornamentation should not cover any warnings or instructions or they may void the warranty. This warranty does not cover scratches, superficial dents, and other abrasions to the paint finish that occur under normal use. It also does not cover normal wear items such as but not limited to brushes, batteries, drill bits, drill chucks, pads or blades.

Subject to the law in your state:

- (1) Your sole and exclusive remedy is repair or replacement of the defective product as described above.
- (2) ATD is not liable for any incidental damages, including but not limited to, lost profits and unforeseeable consequences.
- (3) The repair and replacement of this product under the express limited warranty described above is your exclusive remedy and is provided in lieu of all other warranties, express or implied. All other warranties, including implied warranties and warranties of merchantability or fitness for a particular purpose are disclaimed and, if disclaimer is prohibited, these warranties are limited to one year from your date of purchase of this product.

Some states' laws do not allow limited durations on certain implied warranties and some states' laws do not allow limitations on incidental or consequential damages. You should consult the law in your state to determine how your rights may vary.

[Affix receipt or invoice here for safe keeping]