



## ATD-5842 1/4" Heavy-Duty Hand Riveter



### Features:

- Extra long handles provide excellent leverage
- Includes (5) nosepieces to set 1/8", 5/32", 3/16", 7/32" and 1/4" steel and aluminum rivets
- 2-1/4" nose
- Heavy-duty metal construction
- Overall Length: 20-3/4"
- Shipping Weight: 4.8 lbs.

## **IMPORTANT SAFETY INSTRUCTIONS**

1. Read all instructions before using this tool.
2. Always wear ANSI approved safety goggles when using this product.
3. Normal use of this product is likely to expose the user to dust and/or microscopic particles containing chemicals known to the State of California to cause cancer, birth defects or other reproductive harm
4. Always wear appropriate safety equipment and clothing when using this product. Study, understand, and follow all instructions provided with this product.

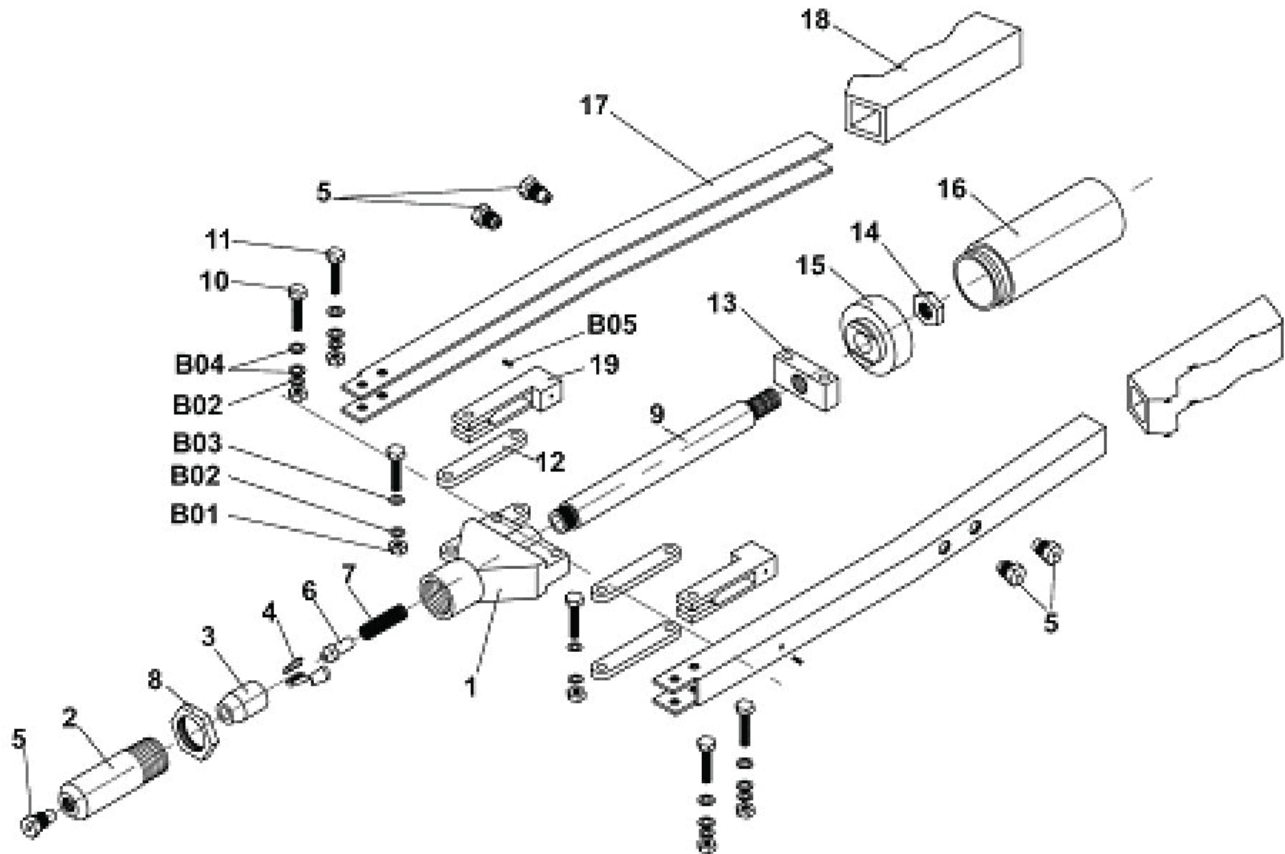


### **INSTRUCTIONS FOR USE:**

1. Open tool handle fully and insert rivet mandrel all the way into tool nosepiece then insert rivet head completely into the prepared hole.
2. Squeeze tool handle until rivet mandrel breaks off. If more than one squeeze is required, open tool handle fully and squeeze again.
3. Finally, open tool handle fully to eject rivet mandrel from tool.



# ATD-5842



ITEM#	ORDERING PART#	PART DESCRIPTION
1	PRT5842-01	BODY
2	PRT5842-02	LINKER
3	PRT5842-03	JAW CARRIER
4	PRT5842-04	JAW
5	PRT5842-05	NOSEPIECES (SET OF 5)
6	PRT5842-06	PUSHER
7	PRT5842-07	SPRING
8	PRT5842-08	LOCK NUT
9	PRT5842-09	PULLING ROD
10	PRT5842-HK	SHORT BOLT
11	PRT5842-HK	LONG BOLT
12	PRT5842-12	LINK
13	PRT5842-13	PULLING ROD BASE
14	PRT5842-14	NUT
15	PRT5842-15	LID
16	PRT5842-16	BOTTLE
17	PRT5842-17	HANDLE
18	PRT5842-18	PLASTIC GRIP
19	PRT5842-19	CUSHION
B01	PRT5842-HK	LOCK NUT
B02	PRT5842-HK	WASHER (5x0.8)
B03	PRT5842-HK	WASHER (6x0.6)
B04	PRT5842-HK	COPPER WASHER
B05	PRT5842-HK	BOLT



## WARRANTY

1 YEAR LIMITED WARRANTY

THIS WARRANTY AND CONFIRMED RECEIPT(S) SHOULD BE RETAINED BY THE CUSTOMER AT ALL TIMES

PURCHASED FROM: \_\_\_\_\_

DATE PURCHASED: \_\_\_\_\_

INVOICE/RECEIPT NUMBER: \_\_\_\_\_

Your ATD-5842 is warranted for a period of 12 months from the original purchase date.

For a period of one (1) year from your purchase date, ATD Tools Inc. will repair or replace (at its option) without charge, your ATD product if it was purchased new and the product has failed due to a defect in material or workmanship which you experienced during normal use of the product. This limited warranty is your exclusive remedy.

To access the benefits of this warranty, contact your supplier, or point of sale directly. You may be advised to return the product under warranty, freight prepaid, to your supplier for warranty determination.

If this ATD product is altered, abused, misused, modified, or undergoes service by an unauthorized technician, your warranty will be void. We are not responsible for damage to ornamental designs you place on this ATD product and such ornamentation should not cover any warnings or instructions or they may void the warranty. This warranty does not cover scratches, superficial dents, and other abrasions to the paint finish that occur under normal use. It also does not cover normal wear items such as but not limited to brushes, batteries, drill bits, drill chucks, pads or blades.

Subject to the law in your state:

- (1) Your sole and exclusive remedy is repair or replacement of the defective product as described above.
- (2) ATD is not liable for any incidental damages, including but not limited to, lost profits and unforeseeable consequences.
- (3) The repair and replacement of this product under the express limited warranty described above is your exclusive remedy and is provided in lieu of all other warranties, express or implied. All other warranties, including implied warranties and warranties of merchantability or fitness for a particular purpose are disclaimed and, if disclaimer is prohibited, these warranties are limited to one year from your date of purchase of this product.

Some states' laws do not allow limited durations on certain implied warranties and some states' laws do not allow limitations on incidental or consequential damages. You should consult the law in your state to determine how your rights may vary.

[Affix receipt or invoice here for safe keeping]