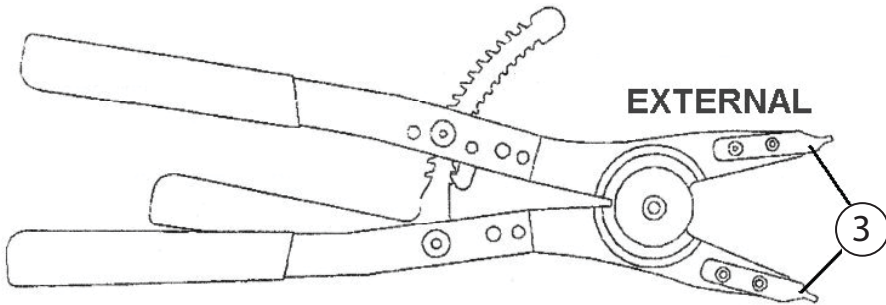
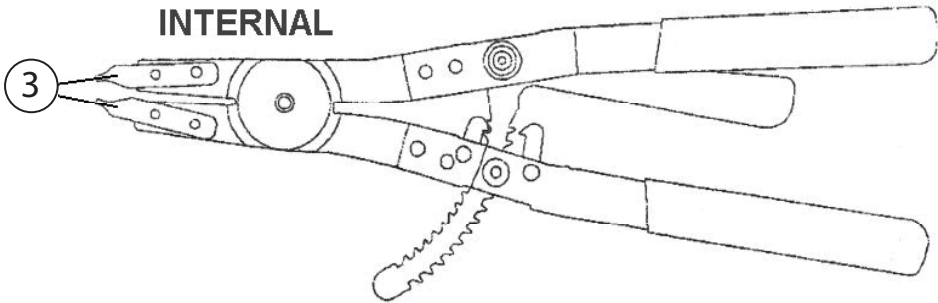
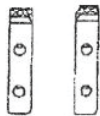
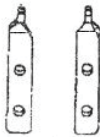




ATD-5466



TIP SIZE - 0.12" (3.0mm)
0°, 45°, 90° SETS



ITEM#	ORDERING PART#	PART DESCRIPTION
3	PRT5466-03	0 DEGREE TIP (SET OF TWO)
4	PRT5466-04	45 DEGREE TIP (SET OF TWO)
5	PRT5466-05	90 DEGREE TIP (SET OF TWO)

⚠ WARNING ⚠
WARNING: This product contains chemicals, including lead, known to the State of California to cause cancer, birth defects or other reproductive harm. *Wash hands after handling.*