



ATD-5203 30 Gallon Pressurized Oil Drain Owner's Manual



TECHNICAL SPECIFICATIONS

Model: ATD-5203

Capacity: 30 Gallon

Drain Funnel Working Height: 47.25" to 70.5"

Drain Funnel Diameter: 15.75"

Plastic Tray: 11.8" x 11.8" x 2.2"

Swivel Casters: (2) 4" X 1.2"

Wheels: (2) 7" X 1.5"

Working Pressure: ≤ 7 psi (0.5bar)

IMPORTANT

READ ALL INSTRUCTIONS BEFORE USING THIS PRODUCT.

READ AND UNDERSTAND ALL SAFETY WARNINGS AND PRECAUTIONS CONTAINED IN THIS MANUAL.

KEEP THIS INSTRUCTION MANUAL FOR FUTURE REFERENCE.

Warning: When using product, basic safety precautions should always be followed to reduce the risk of personal injury and damage to equipment.

Warning: The warnings cautions, and instructions discussed in this instruction manual cannot cover all possible conditions and situations that may occur. It must be understood by the operator that common sense and caution are factors which cannot be built into this product, but must be supplied by the operator.

INSPECTION

Check for worn parts, air leaks, and damaged, loose or missing parts before operating.

Check tank operation by connecting air to air nipple and closing ball valve.

Verify that there is sufficient air flow coming from nozzle/hose assembly.

An annual tank/component inspection is recommended.

READ ALL INSTRUCTIONS BEFORE USING THIS PRODUCT

1. **Keep work area clean.** Cluttered areas invite injuries.
2. **Observe work area conditions.** Keep area well lit.
3. **Store idle equipment.** When not in use, the product must be stored in a safe and clean location. Always lock up products and keep out of reach of children.
4. **Use the right product for the job.** There are certain applications for which the product was designed. **DO NOT** modify the product and **DO NOT** use the product for a purpose for which it was not intended.
5. **Check for damaged parts.** Before using any product, any part that appears damaged should be carefully checked to determine that it will operate properly and perform its intended function. Check for any broken or damaged parts and any other conditions that may affect its operation. Replace or repair damaged or worn parts immediately.
6. **Replacement parts and accessories.** When servicing, use only identical replacement parts. Use of any other parts will void the warranty.
7. **DO NOT operate product if under the influence of alcohol or drugs.**
8. **DO NOT exceed the product's working pressure of 7 psi (0.5bar)**
9. **Only use on a flat surface capable of supporting the product and its maximum load.**
10. **Dress safely.** Non-skid footwear or safety boots should be used when working with the product. **DO NOT** wear loose clothing or jewelry as they can become caught in moving parts. Wear a protective hair covering to prevent long hair from becoming caught in moving parts.
11. **DO NOT allow children in the work area.**
12. **Always check hardware and assembled parts after assembling.** All connections should be checked and hardware tightened.
13. **DO NOT overreach.** Keep proper footing and balance at all times to prevent tripping, falling and injury.
14. **Always secure the wheels and casters in place while operating the product.**
15. **Know and obey city and state laws for proper disposal of oil.** Dispose of oil properly in accordance with all local laws and regulations.

SPECIFIC PRODUCT WARNING AND PRECAUTIONS

Note: This product is to be used only for transporting oil. **DO NOT** use to transport any other liquid.

1. **Always disconnect equipment from its air supply source and release all compressed air from the system before performing any service or maintenance.**
2. **Never leave this product unattended while operating or evacuating oil.**
3. **Never use this equipment near open flame or heat sources.**
4. **Always raise drain bowl and close ball valve (#8) before evacuating oil.** Never attempt to pressurize the tank with the ball valve open.
5. If the bleeder valve ever relieves any air pressure from the tank, remove the unit from service immediately and contact a qualified service technician.
6. If used oil does not evacuate from tank upon pressurization, check that ball valves are fully in the correct positions. If this does not correct the problem, remove the unit from service and contact a qualified service technician.

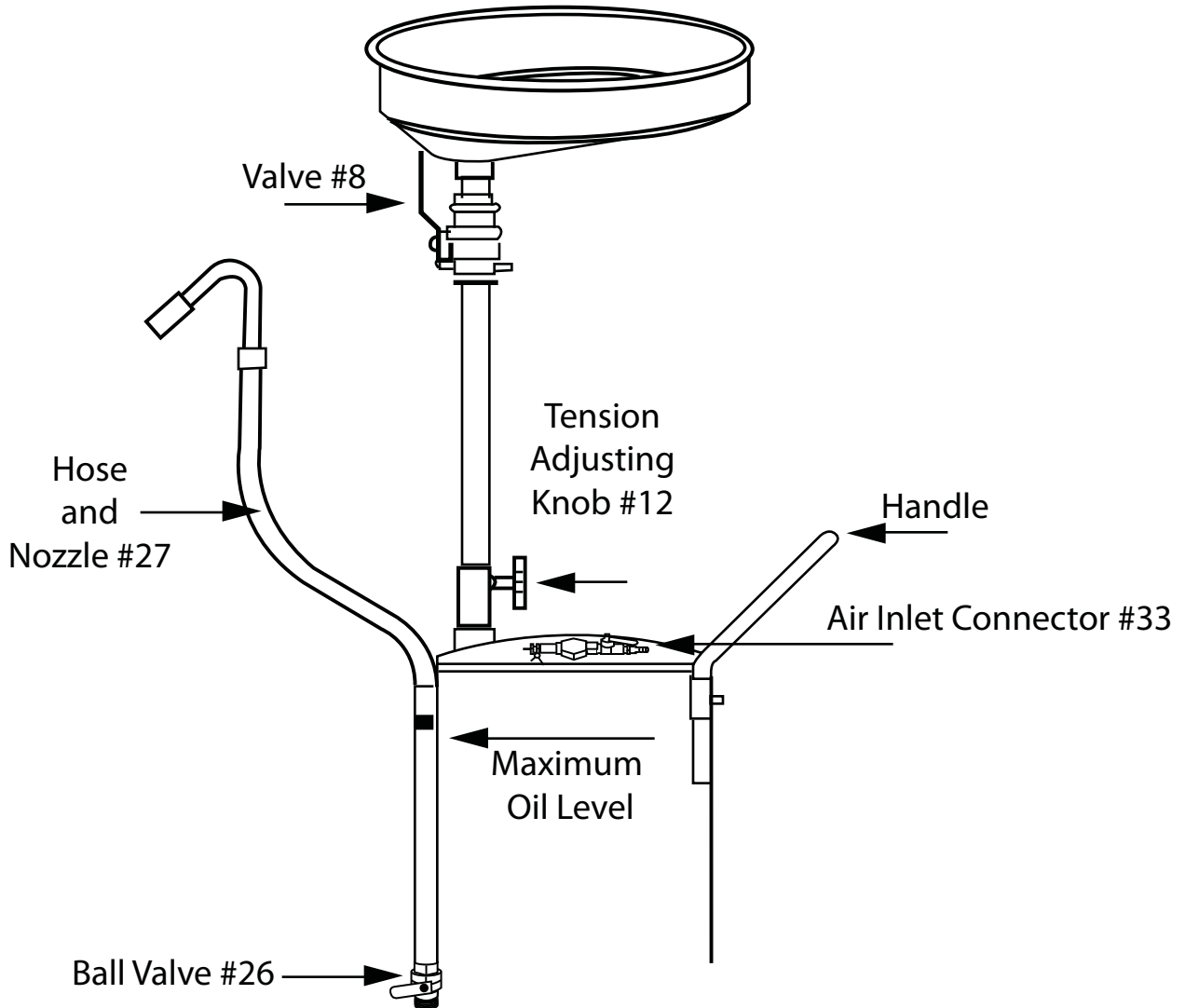
ASSEMBLY

This unit requires some assembly before use. It is important that you read the entire manual to become familiar with the product BEFORE you assemble and use the product. Before operating the tool, be sure that you have all parts described in parts list in and assembly diagram located on pages 6 and 7 of this manual.

1. Slide two wheels (#19) onto each end of the axle located at the base of the tank (#40), secure with washer and circlip (#17 & #18).
2. Insert the bolts on top of the casters (#22) into the flange plates. Slide flat washer (#21) and thread nut (#20) onto bolt. Tighten securely.
3. Insert handle (#31) into the two slots on the side of the oil tank (#40). Tighten down handle screws.
4. Attach the valve assembly (#6, #7 & #8) to the oil pipe (#10).
5. Attach the funnel assembly (#1, #2, #3, #4 & #5) to valve assembly.
6. Slide drain tube (#10) up through the tube holder, slide the tension collar (#13) onto the tube and seat it down inside of the tube holder. Slide the tension nut (#14) over the tube and thread it onto the tube holder. Tightening this nut should increase tension on the tube, holding it in place. Slide the second tension collar and nut (#11 & #12) onto the tube over the first tension nut assembly. When tightened, this will provide a stop in case the oil pan should slide downwards. Tighten snugly, but do not over tighten as these tension collars are both used for adjusting the height of the oil drain pan. Now attach the funnel and valve assembly (#1, #2, #3, #4 & #5) to the top of the drain tube.
7. Snap plastic tray (#39) onto the tabs provided on top of the oil tank.
8. Check all connections to hoses and valves to ensure that there will be no leaks.
9. Check to make sure all hardware is secured tightly. Also check to make sure the wheels roll properly before using your oil drain tank.

TO DRAIN OIL

Raise drain bowl to desired height and lock in place with tension adjusting knob (#12). With valve (#8) fully open (valve handle in vertical position), drain oil into bowl/tank assembly. **DO NOT** fill the reservoir above the maximum oil level as shown.



TO EVACUATE OIL

Evacuate used oil from tank when maximum oil level is obtained. Raise drain bowl and lock in place. Close the ball valve (#8) fully by turning it to horizontal position. Place hose and nozzle (#27) SECURELY into your used oil collection reservoir and open the ball valve (#26) by turning it to vertical position. Connect air supply to air inlet connector (#33) and discharge oil.

Never leave unit unattended when evacuating oil.

Immediately disconnect air supply when oil is no longer discharging into reservoir.

TO TRANSPORT TANK

With ball valve (#8) fully open (valve handle in vertical position), lower drain bowl to desired height.

Always use the tank handle to transport the tank assembly. Always grasp the handle with two hands while moving the load. Do not pull unit by the funnel, tube or hoses.

CLEANING AND MAINTENANCE

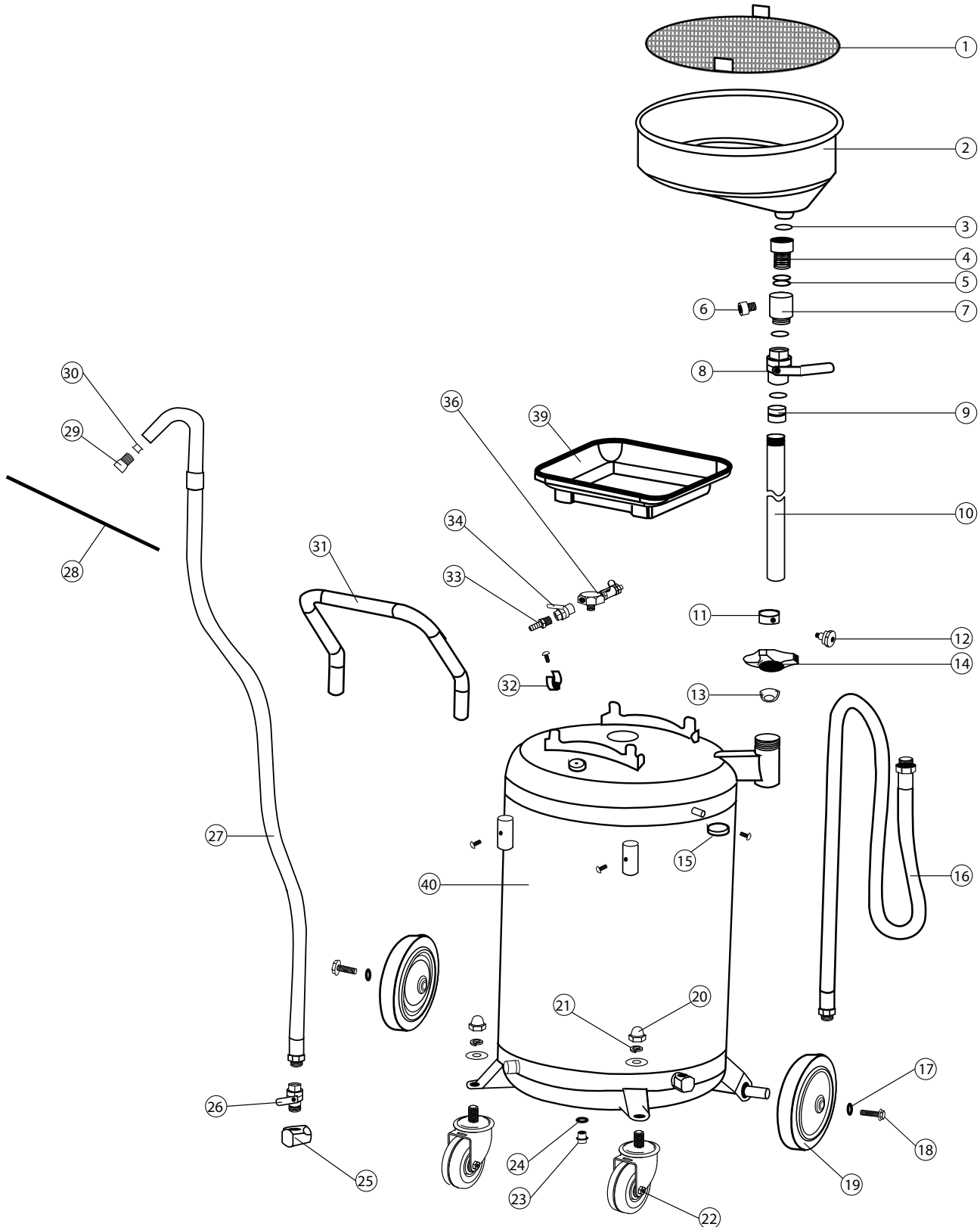
1. Before each use, examine the general condition of the entire oil drain system. Inspect air hoses for damage. Check for loose screws, misalignment, binding of moving parts, improper mounting, broken parts and any other condition that may affect its safe operation. If abnormal noise or vibration occurs, turn off the air compressor immediately and have the problem corrected before further use. Refer to Warnings and Precautions sections. **DO NOT** use a damaged product.
2. **CAUTION:** Always disconnect this product from its air supply, and release all compressed air from the system before performing any cleaning, servicing maintenance.
3. Keep the outside of the equipment free of oil grease. Use only a mild soap and damp cloth when cleaning. **DO NOT** use a flammable or combustible solvent.
4. Before and during each use, inspect the oil indicator level. **DO NOT** fill tank above maximum oil level.

PLEASE READ THE FOLLOWING CAREFULLY

THE MANUFACTURER AND/OR DISTRIBUTOR HAS PROVIDED THE PARTS DIAGRAM IN THIS MANUAL AS A REFERENCE TOOL ONLY. NEITHER THE MANUFACTURER NOR DISTRIBUTOR MAKES ANY REPRESENTATION OR WARRANTY OF ANY KIND TO THE BUYER THAT HE OR SHE IS QUALIFIED TO MAKE ANY REPAIRS TO THE PRODUCT OR THAT HE OR SHE IS QUALIFIED TO REPLACE ANY PARTS OF THE PRODUCT. IN FACT, THE MANUFACTURER AND/OR DISTRIBUTOR EXPRESSLY STATES THAT ALL REPAIRS AND PARTS REPLACEMENTS SHOULD BE UNDERTAKEN BY A CERTIFIED AND LICENSED TECHNICIAN AND NOT BY THE BUYER. THE BUYER ASSUMES ALL RISK AND LIABILITY ARISING OUT OF HIS OR HER REPAIRS TO THE ORIGINAL PRODUCT OR REPLACEMENT PARTS THERETO, OR ARISING OUT OF HIS OR HER INSTALLATION OF REPLACEMENT PARTS THERETO.



ATD-5203



ITEM#	ORDERING PART#	PART DESCRIPTION
1	PRT5203-01	SCREEN
2	PRT5203-02	FUNNEL BOWL ASSEMBLY
3	PRT5203-03	O-RING
4	PRT5203-04	CONNECTOR
5	PRT5203-05	O-RING
6	PRT5203-06	BOLT
7	PRT5203-07	CONNECTOR
8	PRT5203-08	1" BALL VALVE
9	PRT5203-09	CONDUIT CONNECTOR
10	PRT5203-10	OIL DRAIN TUBE
11	PRT5203-11	SMALL TENSION RING
12	PRT5203-12	TENSION KNOB
13	PRT5203-13	TENSION COLLAR
14	PRT5203-14	TENSION NUT
15	PRT5203-15	CLAMP
16	PRT5203-16	DRAIN HOSE
17	PRT5203-17	WASHER
18	PRT5203-18	CIRCLIP
19	PRT5203-19	WHEEL
20	PRT5203-20	ACORN NUT
21	PRT5203-21	WASHER
22	PRT5203-22	CASTER
23	PRT5203-23	DRAIN PLUG
24	PRT5203-24	DRAIN PLUG WASHER
25	PRT5203-25	TUBE CONNECTOR
26	PRT5203-26	1/2" BALL VALVE
27	PRT5203-27	EVACUATION HOSE/NOZZLE ASSEMBLY
28	PRT5203-28	CHAIN
29	PRT5203-29	HOSE PLUG
30	PRT5203-30	RING
31	PRT5203-31	HANDLE
32	PRT5203-32	TUBE CLAMP
33	PRT5203-33	AIR INLET CONNECTOR
34	PRT5203-34	1/4" BALL VALVE
36	PRT5203-36-38	HEX CONNECTOR/BLEEDER VALVE ASSY
39	PRT5203-39	PLASTIC TRAY
40	PRT5203-40	TANK ASSEMBLY



WARRANTY

1 YEAR LIMITED WARRANTY

THIS WARRANTY AND CONFIRMED RECEIPT(S) SHOULD BE RETAINED BY THE CUSTOMER AT ALL TIMES

PURCHASED FROM: _____

DATE PURCHASED: _____

INVOICE/RECEIPT NUMBER: _____

Your ATD-5203 is warranted for a period of 12 months from the original purchase date.

For a period of one (1) year from your purchase date, ATD Tools Inc. will repair or replace (at its option) without charge, your ATD product if it was purchased new and the product has failed due to a defect in material or workmanship which you experienced during normal use of the product. This limited warranty is your exclusive remedy.

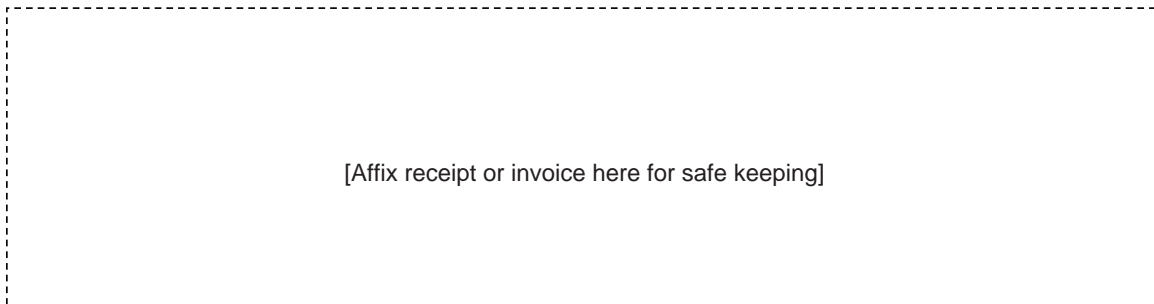
To access the benefits of this warranty, contact your supplier, or point of sale directly. You may be advised to return the product under warranty, freight prepaid, to your supplier for warranty determination.

If this ATD product is altered, abused, misused, modified, or undergoes service by an unauthorized technician, your warranty will be void. We are not responsible for damage to ornamental designs you place on this ATD product and such ornamentation should not cover any warnings or instructions or they may void the warranty. This warranty does not cover scratches, superficial dents, and other abrasions to the paint finish that occur under normal use. It also does not cover normal wear items such as but not limited to brushes, batteries, drill bits, drill chucks, pads or blades.

Subject to the law in your state:

- (1) Your sole and exclusive remedy is repair or replacement of the defective product as described above.
- (2) ATD is not liable for any incidental damages, including but not limited to, lost profits and unforeseeable consequences.
- (3) The repair and replacement of this product under the express limited warranty described above is your exclusive remedy and is provided in lieu of all other warranties, express or implied. All other warranties, including implied warranties and warranties of merchantability or fitness for a particular purpose are disclaimed and, if disclaimer is prohibited, these warranties are limited to one year from your date of purchase of this product.

Some states' laws do not allow limited durations on certain implied warranties and some states' laws do not allow limitations on incidental or consequential damages. You should consult the law in your state to determine how your rights may vary.



[Affix receipt or invoice here for safe keeping]