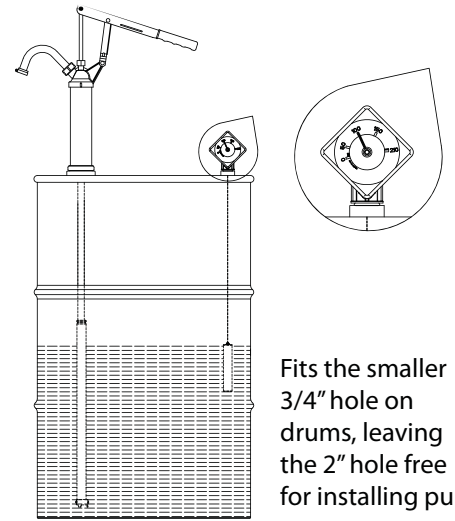




ATD-5038 Drum Level Indicator Owner's Manual



SPECIFICATIONS:

- Allows easy check of fluid level in 55 gallon drum
- Indicator face can be reversed to read in gallons or liters

RECOMMENDED USE:

Oil, diesel fuel, water and water based fluids, anti-freeze, DEF, etc.

NOTE: This is not a precision measuring device and should be used only to give an approximate level of liquid in the drum

Fits the smaller 3/4" hole on drums, leaving the 2" hole free for installing pumps

Read in liters and gallons



Scale graduated in liters



Scale graduated in gallons

Instructions to flip scale between liters and gallons



Open the cover of the indicator with the help of the notches provided on the sides



Carefully pull out the needle



Flip the scale to switch between gallons/ liters. Align marking with the diagonal of the body.



Place the needle back on the center pin, ensure that at the top most level the float and the needle is on the max. marking. Now close the lid.